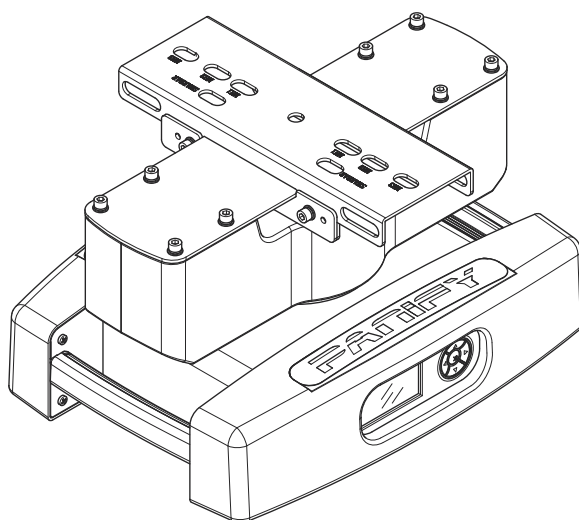


INSTRUCTION MANUAL



INDEX

Page	Contents
2	1. Safety information
3	2. Unpacking and preparation
4	3. Installation and start-up
4	3.1 Installing the fixture
5	3.2 Connecting to main supply
6	3.3 Connecting the control signal line: DMX / Art-Net
8	3.4 Switching on the fixture and basic SetUp
10	4. Maintenance
10	4.1 Opening the covers
11	4.2 Battery removal
12	5. Dimensions
12	6. Cause and solution of problems

*Congratulations on choosing a Claypaky product!
We thank you for your custom.*

Please note that this product, as all the others in the rich Claypaky range, has been designed and made with total quality to ensure excellent performance and best meet your expectations and requirements.

1. SAFETY INFORMATION

EN

SAFETY INFORMATION

IMPORTANT: Claypaky recommends you carefully read and keep the safety information on this product, also available in digital format at the following link:

www.claypaky.com

Ref: FIS026 - Safety information Panify

IT

INFORMAZIONI DI SICUREZZA

IMPORTANTE: Claypaky raccomanda di leggere accuratamente e conservare le informazioni di sicurezza relative a questo prodotto, sempre reperibili in versione digitale al seguente link:

www.claypaky.com

Rif: FIS026 - Safety information Panify

DE

INFORMATIONEN ZUR SICHERHEIT

WICHTIG: Claypaky empfiehlt, die Sicherheitsinformationen bezüglich dieses Produkts genau zu lesen und aufzubewahren. Sie sind in Digitalversion immer unter folgendem Link auffindbar:

www.claypaky.com

Ref: FIS026 - Safety information Panify

ES

INFORMACIONES DE SEGURIDAD

IMPORTANTE: Claypaky recomienda leer detenidamente y conservar la información de seguridad relativa a este producto. Además, está disponible una versión digital de la misma en el siguiente enlace:

www.claypaky.com

Ref: FIS026 - Safety information Panify

FR

CONSIGNES DE SÉCURITÉ

IMPORTANT: Claypaky recommande de lire attentivement et de conserver les informations de sécurité relatives à ce produit, disponibles en version digitale au lien suivant:

www.claypaky.com

Réf. : FIS026 - Safety information Panify

RU

ИНСТРУКЦИЮ ПО ТЕХНИКЕ БЕЗОПАСНОСТИ

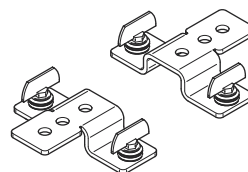
ВАЖНО: Claypaky рекомендует внимательно прочитать и сохранить инструкцию по технике безопасности данного изделия, которая всегда доступна в электронном формате по следующей ссылке:

www.claypaky.com

Наименование: FIS026 - Safety information Panify

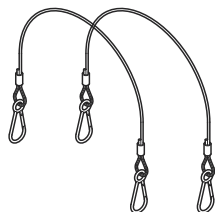
2. UNPACKING AND PREPARATION

1

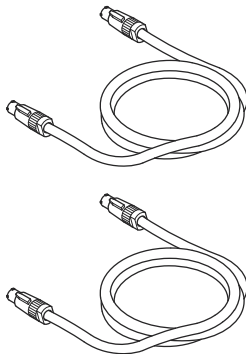


2 x 183102/805

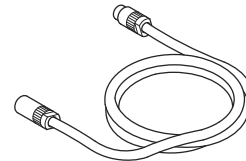
FUN00C/001



POWER cables



DMX cable

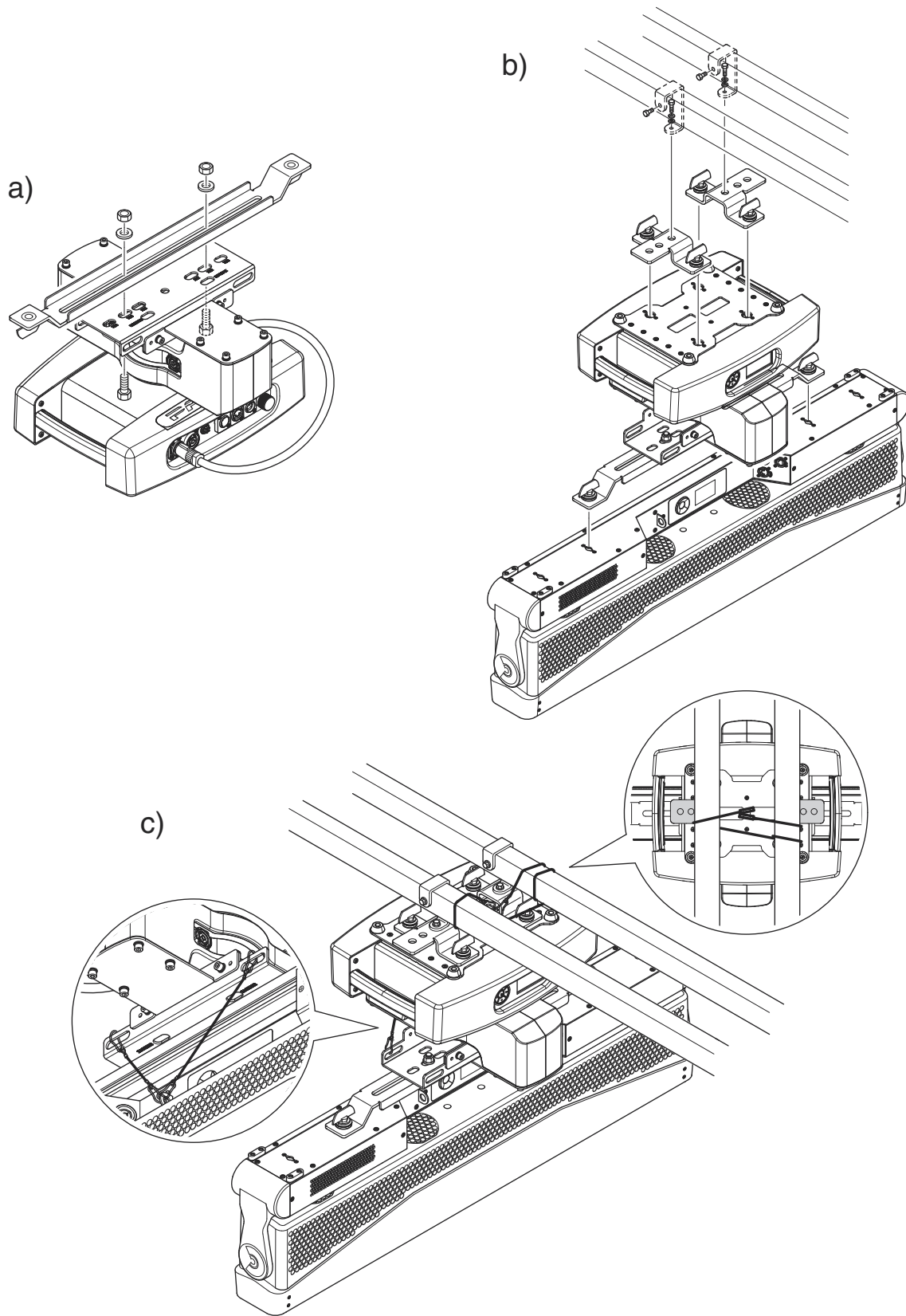


Packing contents - Fig. 1

3. INSTALLATION AND START-UP

3.1 Installing the fixture

2

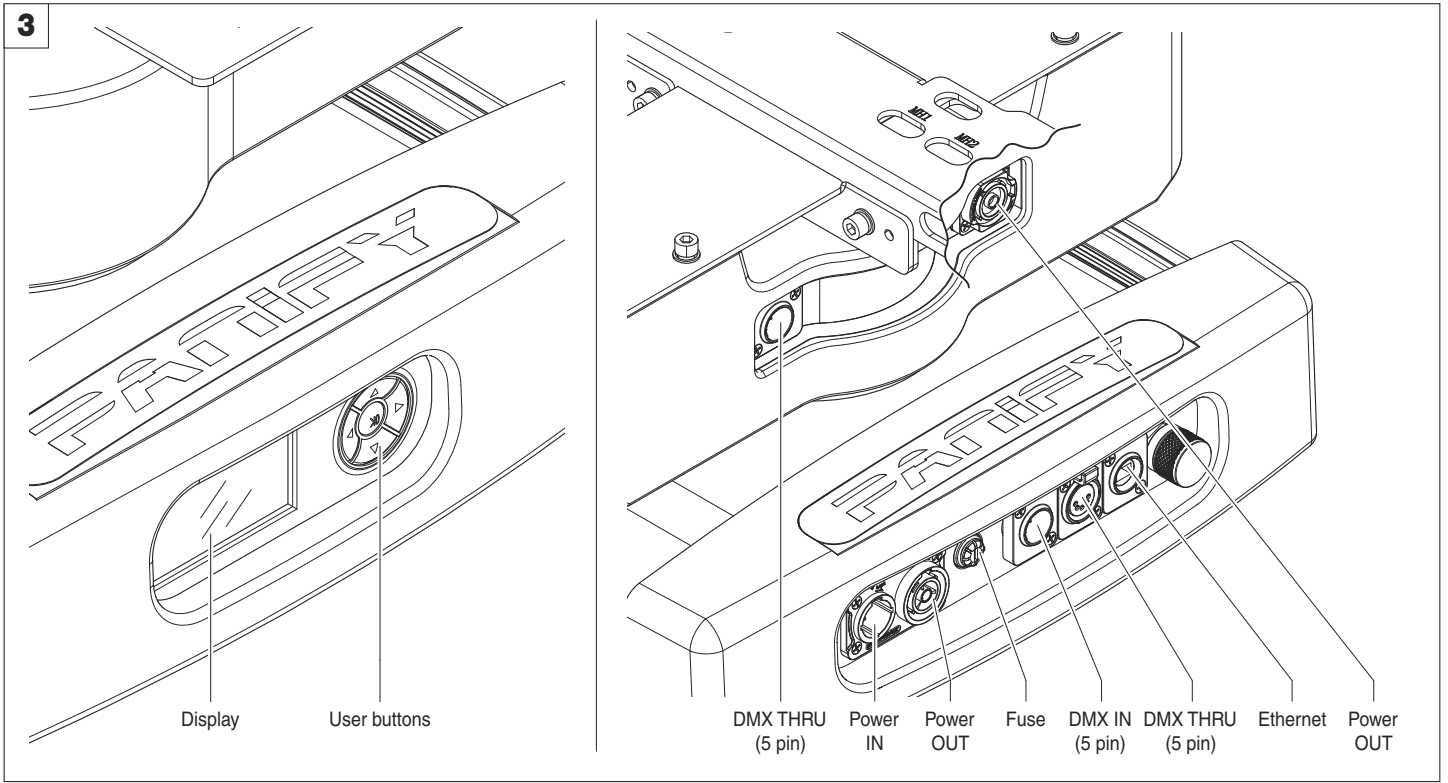


Installing the fixture - Fig. 2

The fixture can be installed on the floor resting on special rubber feet, on a truss or on the ceiling or wall.

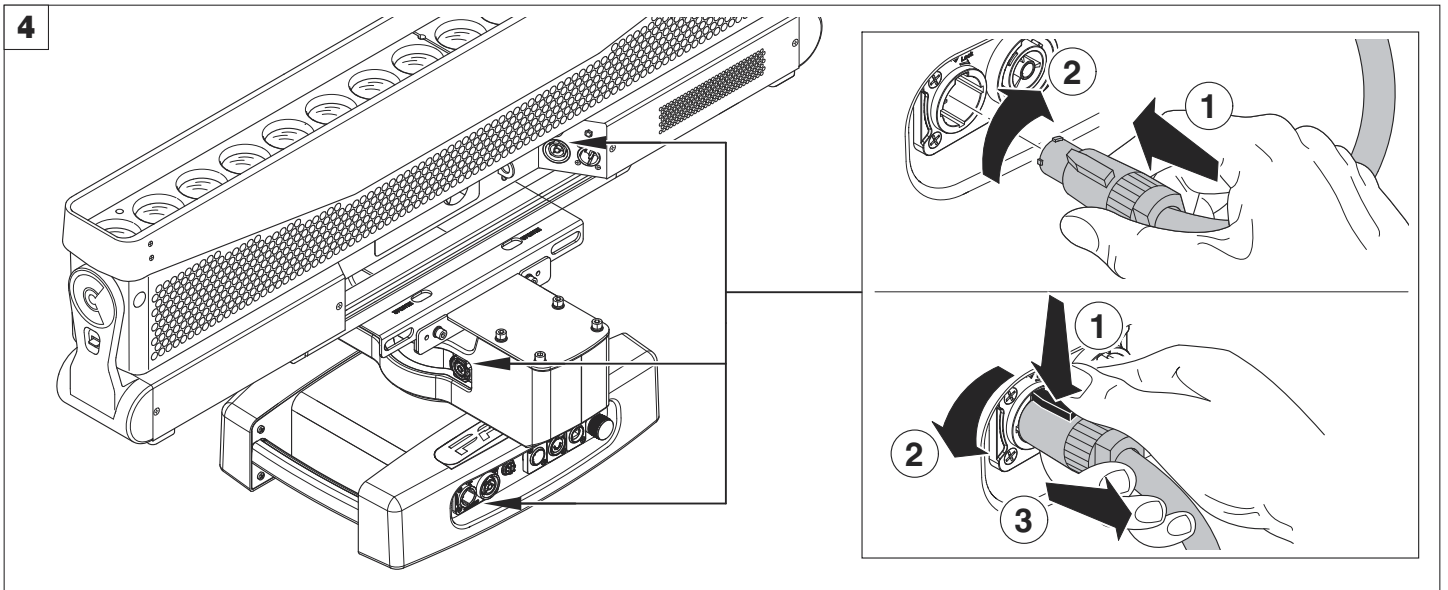
WARNING: with the exception of when the fixture is positioned on the floor, the provided safety cables must be installed (additional safety cables cod. 105041/003 & FUN00C/001 available upon request). Safety cables must be fitted on the fixing point on the base of the Panify and also between Panify and the fixture installed on it.

NOTE: Mounting hardware not included.

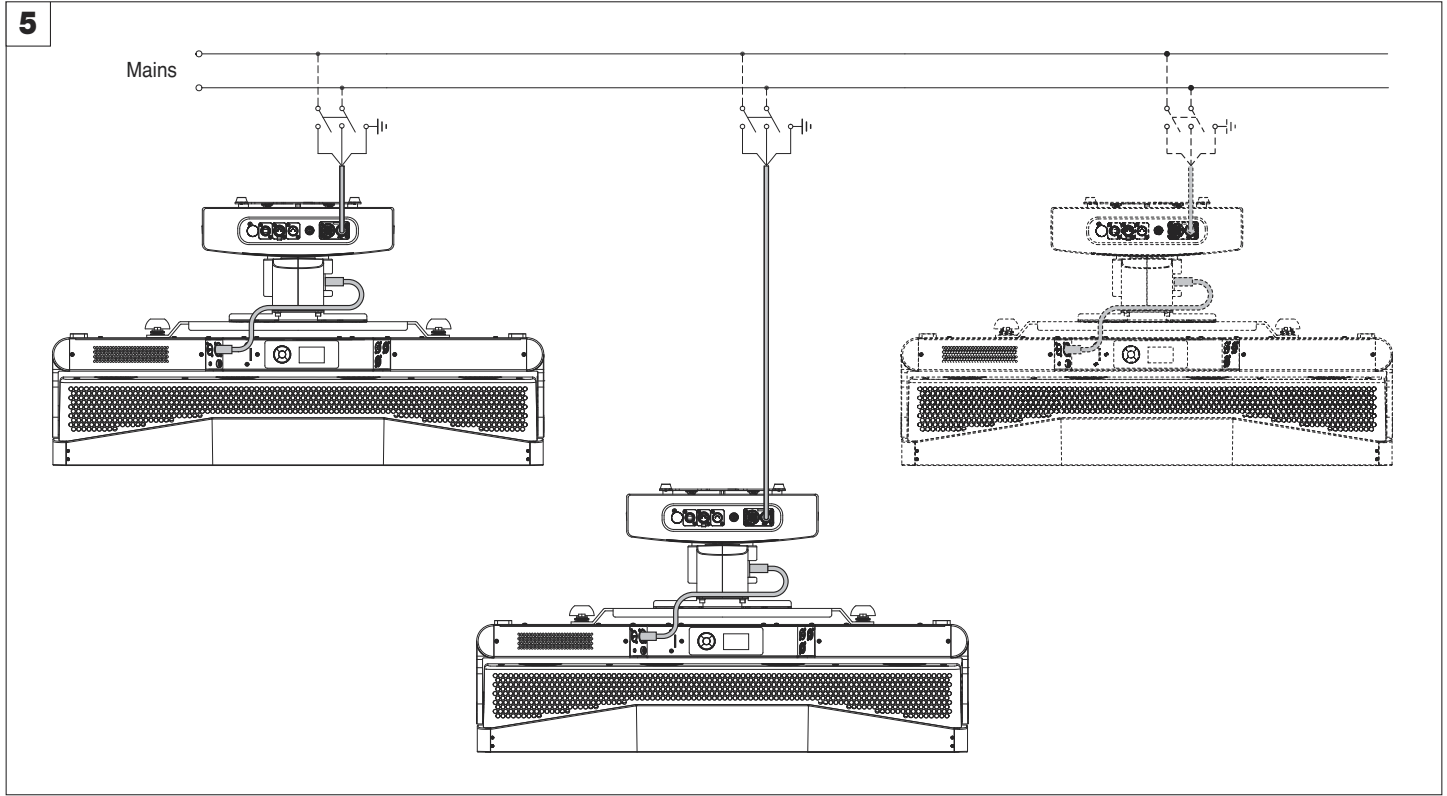


Control panel - Fig. 3

3.2 Connecting to mains supply

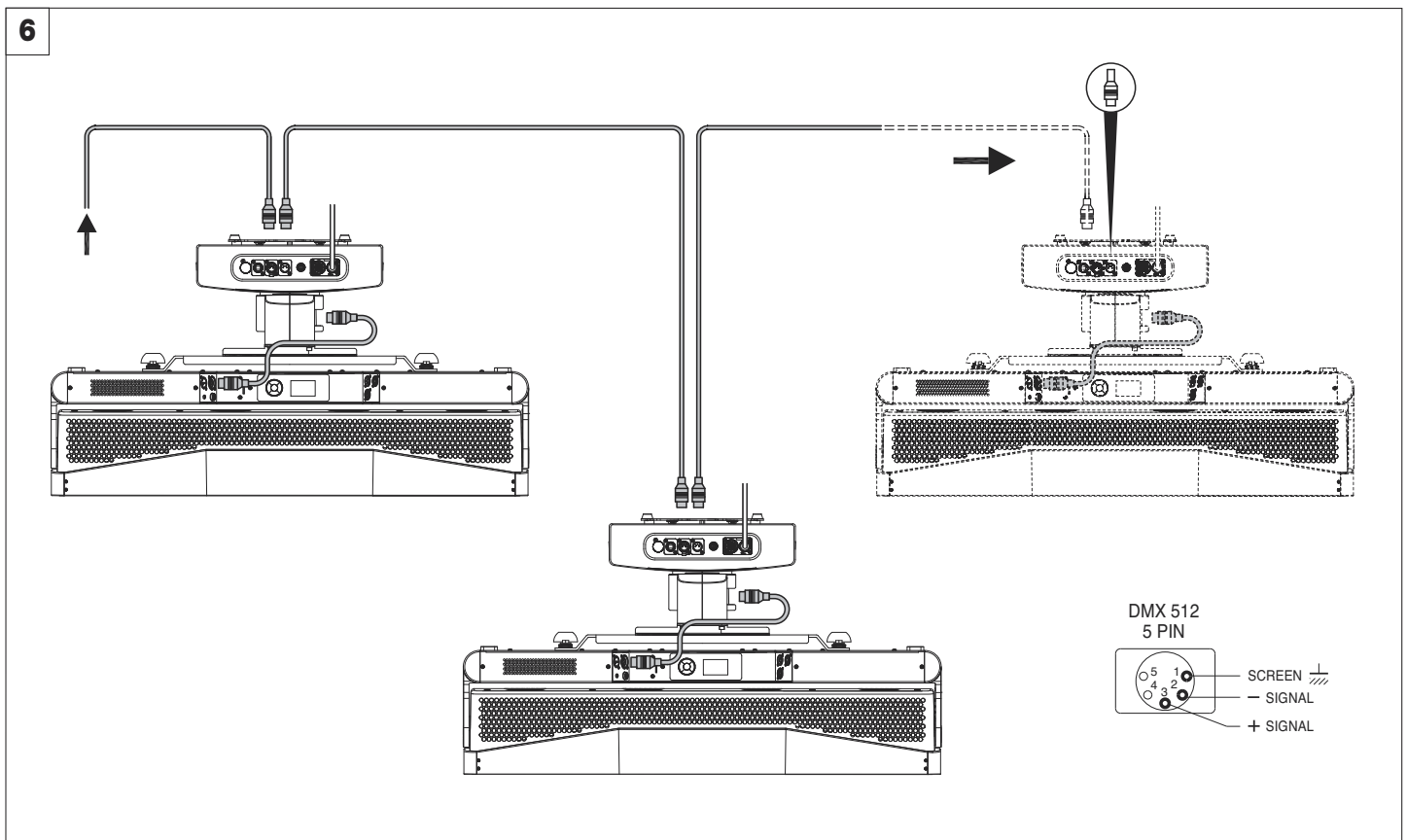


Connecting and disconnecting power cable - Fig. 4



Connecting to the mains supply - Fig. 5

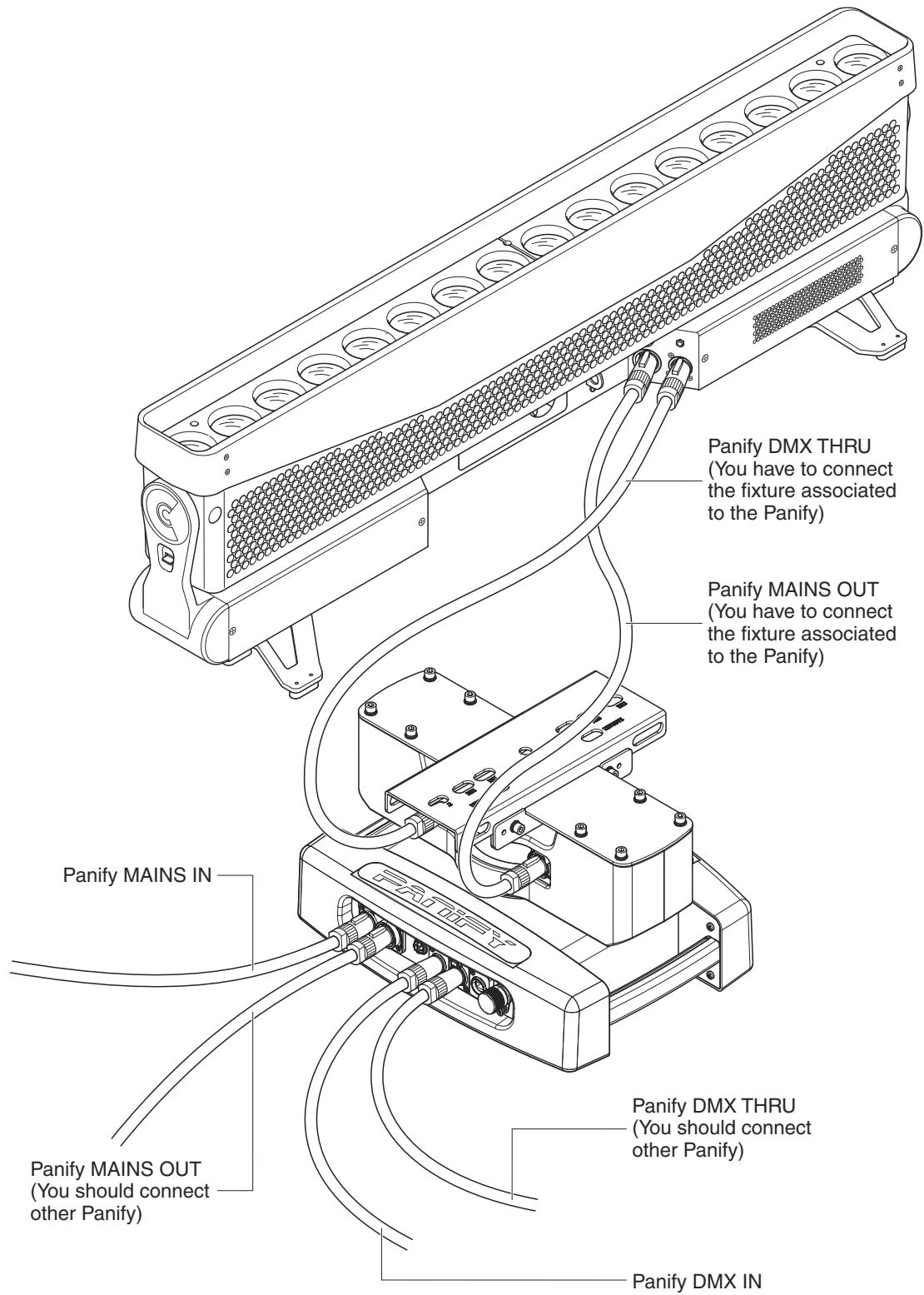
3.3 Connecting the control signal line: DMX / Art-Net



Connecting to the control signal line (DMX) - Fig. 6

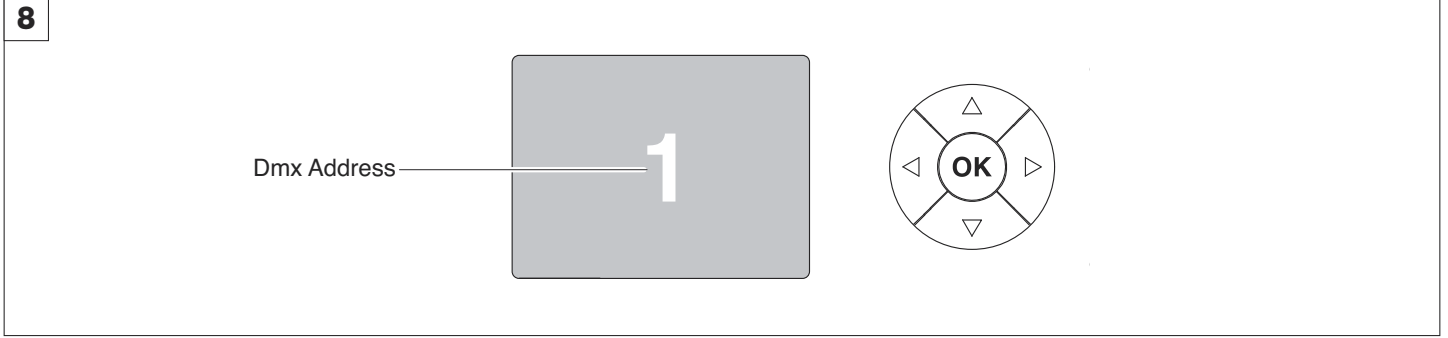
Use a cable conforming to specifications EIA RS-485: 2-pole twisted, shielded, 120Ohm characteristic impedance, 22-24 AWG, low capacity. Do not use microphone cable or other cable with characteristics differing from those specified. The end connections must be made using XLR type 5 pin male/female connectors. A terminating plug must be inserted into the last fixture with a resistance of 120Ohm (minimum 1/4 W) between terminals 2 and 3.

IMPORTANT: The wires must not make contact with each other or with the metal casing of the connectors. The casing itself must be connected to the shield braid and to pin 1 of the connectors.



Fixture-Panify connections- Fig. 7

3.4 Switching on the fixture and basic SetUp



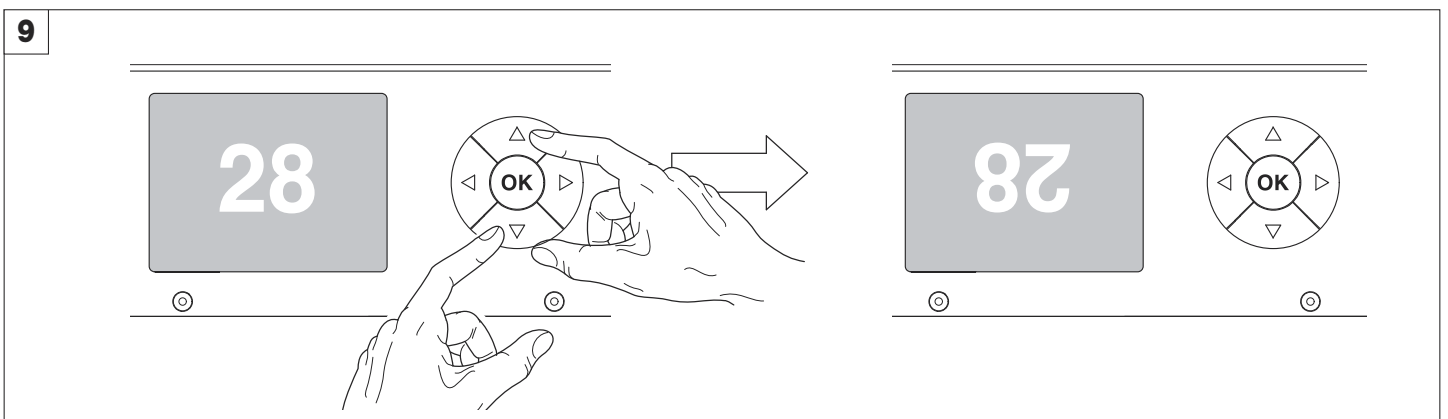
Switching on the fixture - Fig. 8

Switch-on the fixture. The fixture starts resetting the effects. At the same time, the following information scrolls on the display:





The control panel (Fig. 8) has a display and buttons for the complete programming and management of the fixture menu. The display can be in one of two conditions: rest status and setting status. When it is in the rest status, the display shows the fixture's DMX address.

During menu setting status, after a wait time (about 30 seconds) without any key having been pressed, the display automatically returns to rest status. It should be noted that when this condition occurs, any possible value that has been modified but not yet confirmed with the **OK** key will be cancelled.



Reversal of the display - Fig. 9

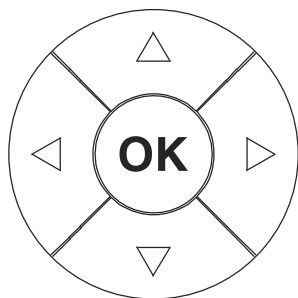
To activate this function, press UP  and DOWN  keys simultaneously while the display is in the rest mode. This status will be memorised and maintained even for the next time it will be switched on. To return to the initial state, repeat the operation all over again.

Setting the fixture starting address

On each fixture, the starting address must be set for the control signal (addresses from 1 to 512).

The address can also be set with the fixture switched off.

Functions of the buttons - Using the menu



Confirms the displayed value, or activates the displayed function, or enters the successive menu.



Decreases the value displayed (with auto-repetitions) or passes to the next item in the menu.



Increases the value displayed (with auto-repetitions) or passes to the previous item in a menu.


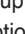

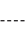


Return to the top level



Return to the top level

USING THE MENU:

- 1) Press **OK** once – “Main Menu” appears on the display.
- 2) Use the UP  and DOWN  keys to select the menu to be used:
 - Setup (Setup Menu): To set the setting options.
 - Option (Option Menu): To set the operating options
 - Informations (Informations Menu): To read the counters, software version and other information.
 - Manual Control (Manual control Menu): To trigger the test and manual control functions.
 - Test (Test Menu): To check the proper functioning of effects
 - Advanced (Advanced Menu): Access to the "Advanced menu" is recommended for a trained technical personnel.
- 3) Press **OK** to display the first item in the selected menu.
- 4) Use the UP  and DOWN  keys to select the MENU items.

Setting addresses and options with the fixture disconnected

The fixture's DMX address, as well as other possible operating options, can also be set when the appliance is disconnected from the electricity supply. All that is needed is to press **OK** to momentarily activate the display and thus access the settings. Once the required operations have been carried out, the display will switch off again after a wait time of 30 seconds.

4. MAINTENANCE

4.1 Opening the covers

WARNING

- IP66 fixture
 - Failure to completely remove power from fixture prior to servicing can lead to serious injury or death.
- For additional service information please contact service@claypaky.it

IMPORTANT

To maintain IP66 rating each cover has rubber gasket on it. If any rubber gasket is lost or damaged, it must be replaced by an original equipment (OE) part. We also suggest to replace the rubber sleeve gasket every 2 years.

Periodical cleaning

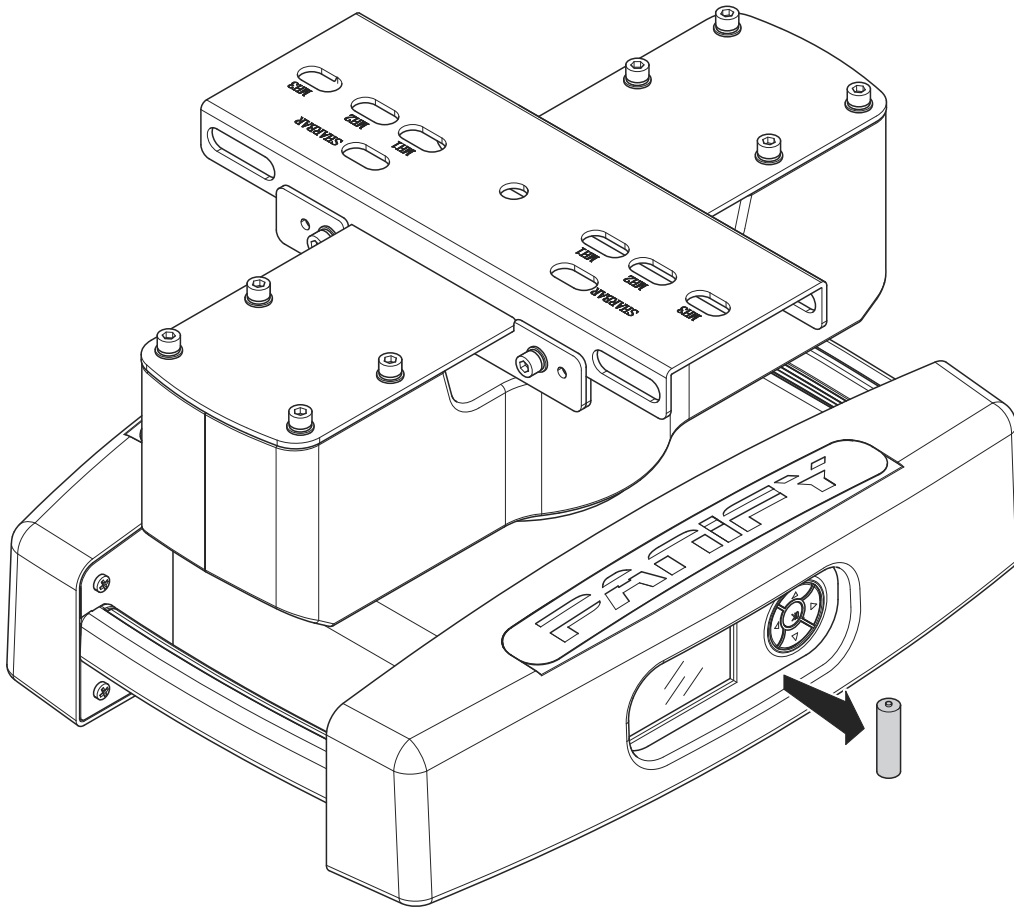
To ensure optimal operation and performance for a long time it is essential to periodically clean the parts subject to dust and grease deposits. The frequency with which the following operations are to be carried out depends on various factors, such as the amount of the effects and the quality of the working environment (air humidity, presence of dust, salinity, etc.).

It is recommended that the fixture undergoes an annual service by a qualified technician for special maintenance involving at least the following operations:

- General cleaning of internal parts.
- Restoring lubrication of all parts subject to friction, using lubricants specifically supplied by Claypaky.
- General visual check of the internal components, cabling, mechanical parts, etc.
- Electrical and functional checks; eventual repairs.

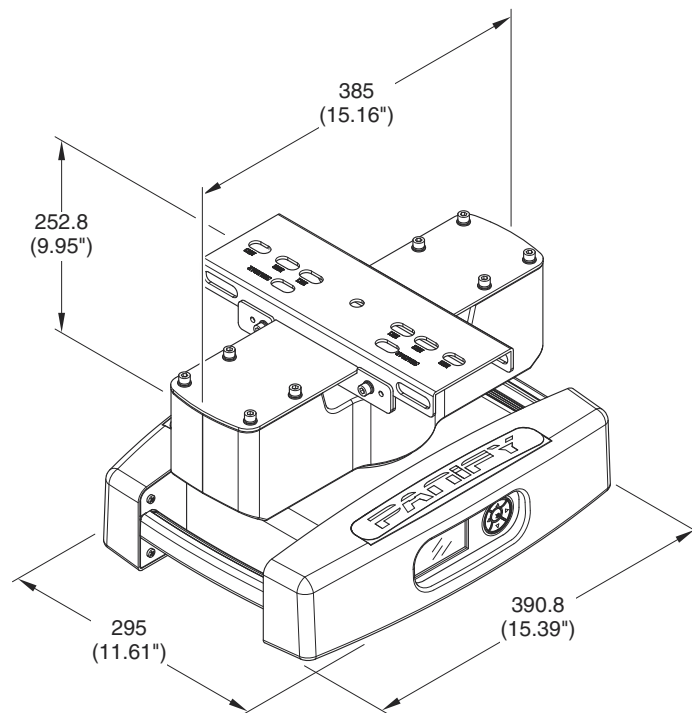
4.2 - Battery removal

10



This product contains a rechargeable battery. To preserve the environment, please dispose the battery at the end of its life according to the regulation in force.

5. DIMENSIONS



6. CAUSE AND SOLUTION OF PROBLEMS

THE FIXTURE WILL NOT SWITCH ON		PROBLEMS
ELECTRONICS NON-OPERATIONAL		
	POSSIBLE CAUSES	CHECKS AND REMEDIES
●	No mains supply.	Check the power supply voltage.
●	Signal transmission cable faulty or disconnected.	Replace the cables.
●	Incorrect addressing.	Check addresses (see instructions).
●	Fault in the electronic circuits.	Call an authorised technician.