



# ARES

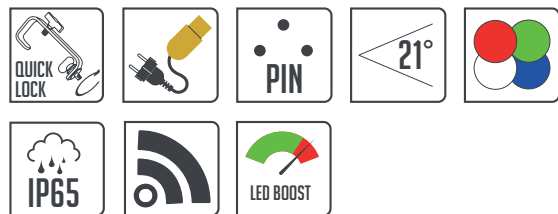
## SUPERIOR RGBW LED WASH 4 INDIVIDUALLY CONTROLLABLE SEGMENTS



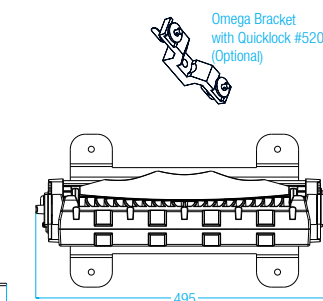
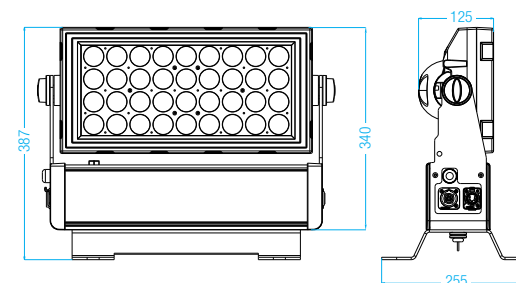
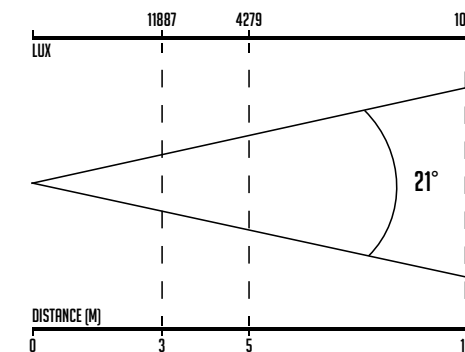
The CLF Ares is an extremely powerful LED wash fixture which is perfect for illuminating large surfaces both in- and outdoor. Extreme brightness and an extraordinary even projection make the Ares a true LED alternative for traditional wash lights. The array of 36 calibrated high power RGBW LEDs is divided in four individually controllable horizontal segments.

The Ares is equipped with a punchy 21° beam angle, which can be easily adapted to other beam angles, even elliptical, by using the Smart Filter System®. The unique LED boost mode offers 120% output when only using two colors simultaneously. The Ares comes with an intelligent cooling system which provides extensive fan control and is especially useful for TV and theatre use. All in all, the Ares is a versatile LED wash that can be used for many applications.

The CLF Ares comes with a filterframe, barndoor and a Wireless Solution W-DMX™ receiver on board, but can also be connected with 3-pin XLR connectors. Power is connected through a PowerCON TRUE1 connector.



- ADJUSTABLE BEAM ANGLE, SEVERAL FILTERS AVAILABLE (E.G. 36° AND 54°)
- DESIGNED FOR MULTIPLE APPLICATIONS
- DEEP AND SATURATED COLORS
- FLICKER FREE OPERATION
- SOLID HOUSING
- WIRELESS DMX
- IP65 RATING



### FACTSHEET

DMX channels	4-9-11-16-21-27-30
Beam angle	21°*
Power supply	100 - 240 VAC
Power consumption	Max. 360 Watt
Cooling	Intelligent cooling system
DMX connection	3p XLR in & out (5p optional)
Dimensions	495 x 125 x 340 mm (lxwxh)
Dimensions (with stand)	495 x 255 x 387 mm (lxwxh)
Weight (without accessories)	12,7 Kg
Certification	CE, RoHS
Item number	156220
Included items	Cable, barndoor, filter frame & stand
IP rating	IP65
Optional accessories	Flightcase, Omega Bracket

\* adjustable with Smart Filter System, options: 36.6°, 54.2°, 63.6°, 82.7°, 21° x 63.6°, 63.6° x 21°, 63.6° x 92°