



TRICOLOR MINI PAR

COMPACT RGB FIXTURE

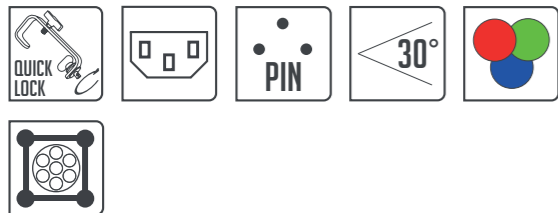
SUITABLE FOR ALL PURPOSES



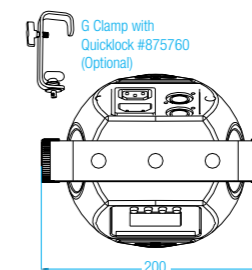
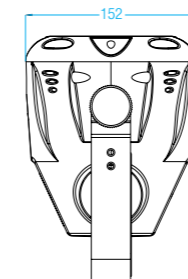
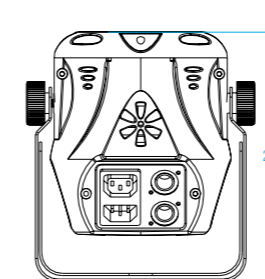
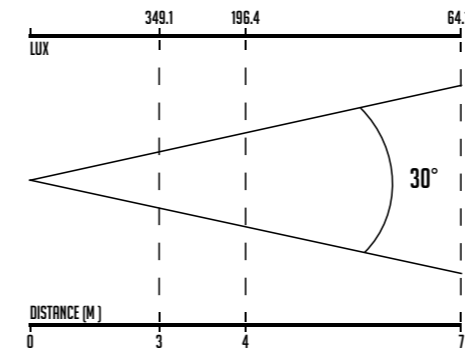
The CLF Tricolor Mini PAR is a compact RGB LED fixture with an impressive output for an affordable price. The Tricolor Mini PAR offers deep saturated, intense colors due to the specially selected LEDs. The powerful LEDs provide extremely high output and ensure flicker-free operation for all types of TV and camera use.

The fixture comes with a 30° beam angle which is perfect for illuminating large surfaces and can also be used for effect lighting. Because of the compact and light housing, the Tricolor Mini PAR fits inside most truss types which makes it the ideal spooklight. Besides DMX control, the fixture can also be controlled stand alone or in master / slave mode. The Tricolor Mini PAR comes with pre-programmed macros.

All controls can be found in the menu on the on-board LCD display. The fixture has a double bracket so it can be placed on the floor or mounted to truss structures by using the CLF quicklock system. This unique hanging system is easy to use and time-saving. An optional barndoor is available.



- 30° BEAM ANGLE
- COMPACT & LIGHT HOUSING
- DOUBLE BRACKET FOR FLOOR AND TRUSS MOUNTING
- FLICKER FREE OPERATION
- CLEAR MENU STRUCTURE FOR OPERATION SETTINGS
- LIGHTWEIGHT



FACTSHEET

DMX channels	3, 4 or 10 channels
Beam angle	30°
Power supply	100 - 240 VAC
Power consumption	Max. 35 Watt
Cooling	Fan
DMX connection	3p XLR in & out
Dimensions	200 x 152 x 250 mm (lxwxh)
Weight	2,5 Kg
Certification	CE, RoHS
Item number	156100
Included items	Power Cable & manual
IP rating	IP22
Optional accessories	Barndoor, Flightcase, & LED Board CW-WW