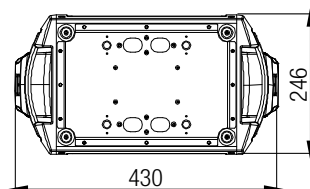
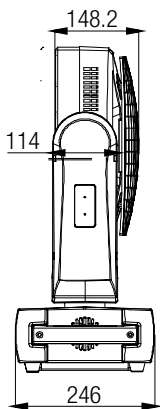
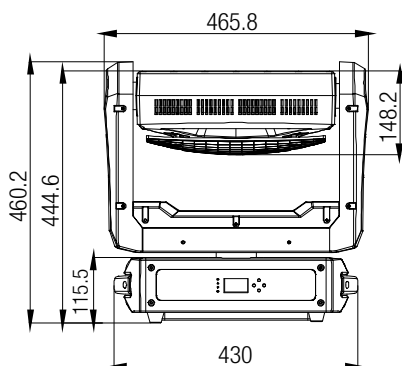
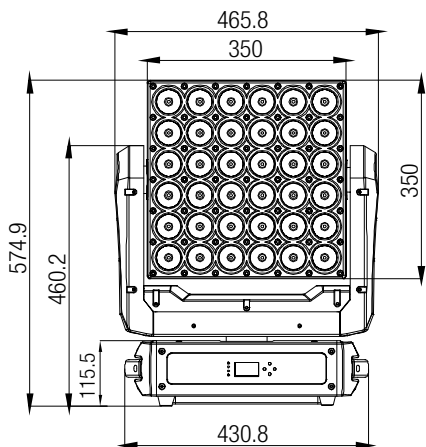


TABLE OF CONTENTS

Dimensions	2
Safety instruction	3
Photometric diagram	5
Control panel	6
Connection	7
Menu navigation	8
DMX address settings	9
DMX Protocols	10
DMX protocol 21 CH	10
DMX protocol 22 + 144 CH	15
DMX protocol 116 CH	16
DMX protocol 206 CH	21
Cleaning and maintainances	26
Troubleshooting	26
Specifications	27
Included items	27

DIMENSIONS

ALL DIMENSIONS ARE IN MILLIMETERS



SAFETY INSTRUCTION



WARNING!

Read the safety precautions in this section before installing, powering, operating or servicing this product

The following symbols are used to identify important safety information on the product and in this manual:



DANGER!
Safety hazard.
Risk of severe injury or death.



DANGER!
Hazardous voltage. Risk of lethal or severe electric shock.



WARNING!
Fire hazard.



WARNING!
LED light emission. Risk of eye injury.



WARNING!
Burn hazard. Hot surface. Do not touch.



WARNING!
Wear protective eyewear.



WARNING!
Refer to user manual.



INSTALLATION

Make sure all (mounting) parts of the fixture are in a good state.

Make sure the point of attachment is stable before positioning the fixture.

The safety chain must be properly hooked on to the safety attachment point. If the safety chain gets worn out, it needs to be replaced.



MINIMUM DISTANCE OF ILLUMINATED OBJECTS

The fixture must be positioned so that the objects within the reach of the beam are at least 12 metres from the lens of the fixture.



MINIMUM DISTANCE FROM FLAMMABLE MATERIALS

The fixture must be positioned so that any flammable materials are at a distance of at least 0.2 metres from every point on the surface of the fitting.



MOUNTING SURFACES

Do not mount the fixture on flammable surfaces.



MAXIMUM AMBIENT TEMPERATURE

Stop using the fixture when the ambient temperature (T_a) exceeds 35°C.

SAFETY INSTRUCTION



PROTECTION AGAINST ELECTRICAL SHOCK

The connection must be made with a power supply system including efficient earthing (Class I appliance according to standard EN 60598-1). It is important to protect the supply lines of the fixture from indirect contact and/or shorting to earth by using appropriately sized residual current devices.



CONNECTION TO MAIN SUPPLY

Connection to the electricity main supply must be carried out by a qualified electrical installer. Check if the main frequency and voltage corresponds with the values of the fixture as described on the fixture electrical data label. This label also provides you the maximum number of fixtures to connect to the main supply in order to avoid overloading. Do not use the power cable when the insulation is damaged. The damaged cable must be repaired by the manufacturer or the distributor in order to avoid any dangerous situations.



TEMPERATURE OF THE EXTERNAL SURFACE

The maximum temperature that can be reached on the external surface of the fixture, in a thermally steady state, is 100°C.



MAINTENANCE

Before starting any maintenance or cleaning work on the fixture, cut off the power from the main power supply. After switching off the power, do not remove any parts of the fixture, for at least 30 minutes to avoid any burns. The fixture is designed to hold any splinters when the lamp explodes. The lenses must be mounted properly, and when damaged, the lenses must be replaced with proper spare parts.



LAMP

Carefully read the "operating instructions" provided by the lamp manufacturer and immediately replace the lamp when damaged or deformed by heat.



BATTERY

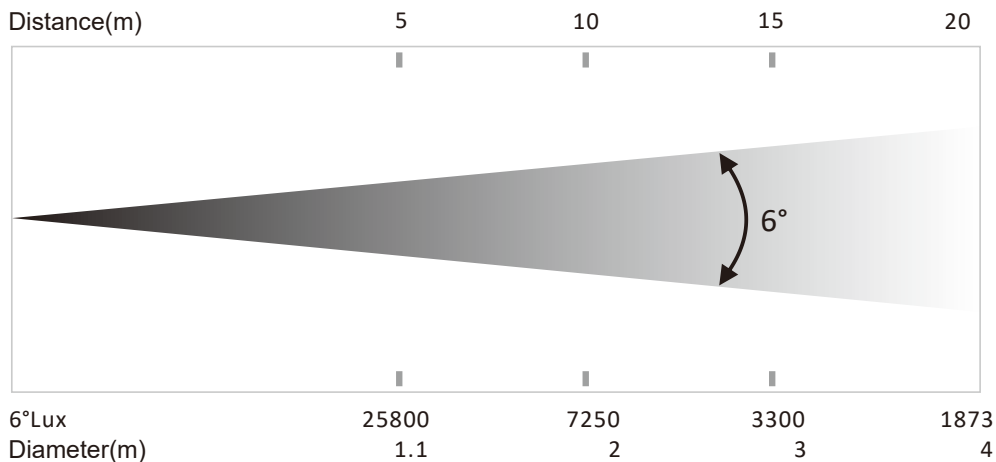
This product contains a rechargeable lead-acid battery. To preserve the environment, please dispose the battery at the end of its life according to the applied regulation.



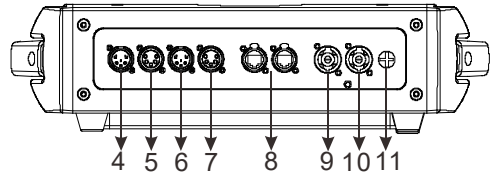
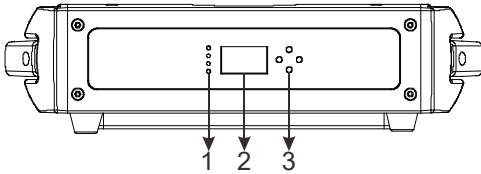
The products referred to in this manual conform to the European Community Directives to which they are subject:

- Low Voltage 2014/35/EU
- Electromagnetic Compatibility 2014/30/EU

PHOTOMETRIC DIAGRAM

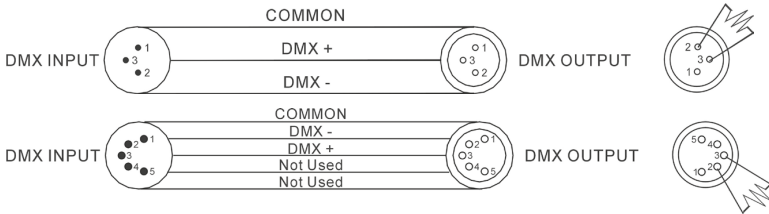
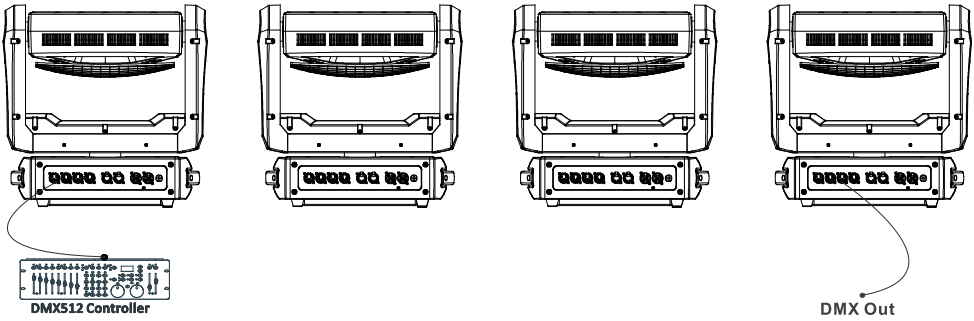


CONTROL PANEL



BUTTON	FUNCTION	DESCRIPTION
1. LED	POWER ON	Power on
	DMX ON	DMX input present
2. DISPLAY	To show the various menus and the selected functions	
3. BUTTON	MENU	To enter into move backward or leave the menu
	UP	To go backward to move up in the menu
	DOWN	To go to move down in the menu
	ENTER	To perform the desired functions
4. DMX INPUT	DMX512 LINK	Use 5-pin XLR cable to link the unit and DMX controller
5. DMX INPUT	DMX512 LINK	Use 3-pin XLR cable to link the unit and DMX controller
6. DMX OUTPUT	DMX512 LINK	Use 5-pin XLR cable to link to next unit
7. DMX OUTPUT	DMX512 LINK	Use 3-pin XLR cable to link to next unit
8. ETHERNET	Transfers fixture's information to a main controller	
9. POWER IN	To connect to the mains supply	
10. POWER OUT	Connects to the next unit	
11. FUSE (T 15A)	Protect the unit from damage of over current.	

CONNECTION



MENU NAVIGATION

MAIN MENU	MENU I	MENU II	MENU III	
DMX settings	CHANNEL mode	166 CH		
		206 CH		
		22 + 144 CH		
	ART-NET setup	21 CH		
		Ethernet IP setup		IP address
		ART-NET port setup		Subnet mask
Fixture settings	DMX address	1	Net	
		512	Subnet	
	DMX last state	Hold	Universe	
	PAN inverse	Blackout		
Display settings	TILT inverse	No / Yes		
	P/T feedback			
	LCD intensity	1 - 10		
	LCD contrast ratio	1 - 16		
Manual mode	Display inverse	No / Yes		
	Language	English		
	PAN position	0 - 255		
	TILT position	0 - 255		
	PAN infinity	0 - 255		
	TILT infinity	0 - 255		
	M6X6 dimmer	0 - 255		
	M6X6 strobe	0 - 255		
	M6X6 effect	0 - 255		
	M6X6 sub item		Red	0 - 255
			Green	0 - 255
			Blue	0 - 255
			White	0 - 255
	M7X7 dimmer	0 - 255		
M7X7 strobe	0 - 255			
M7X7 random	0 - 255			
M7X7 pattern	0 - 255			

MAIN MENU	MENU I	MENU II	MENU III
Automatic test			
Fixture information	LED temperature		
	Power on hours		
	LED on hours		
	Software version		
Reset functions	All reset	No	
		Yes	
Special functions	Factory settings	No	
		Yes	

DMX PROTOCOL 21 CH

CHANNEL	DMX	FUNCTION
1. PAN	0 - 255	0° - 540°
2. PAN fine	0 - 255	
3. TILT	0 - 255	0° - 450°
4. TILT fine	0 - 255	
5. PAN/TILT speed	0 - 255	Fast to slow
6. PAN infinity	0 - 127	PAN position
	128 - 191	CW infinity
	192 - 255	CCW infinity
7. TILT infinity	0 - 127	TILT position
	128 - 191	CW infinity
	192 - 255	CCW infinity
8. Function	0 - 49	No function
	50 - 59	Enable blackout while P/T moving
	60 - 69	Disable blackout while P/T moving
	70 - 79	All reset
	80 - 255	No Function
9. Dimmer	0 - 255	0% - 100%
10. Dimmer fine	0 - 255	
11. Strobe	0 - 7	Close
	8 - 15	Open
	16 - 131	Strobe, slow to fast
	132 - 139	Open
	140 - 181	Fast close slow open
	182 - 189	Open
	190 - 231	Fast open slow close
	232 - 239	Open
240 - 247	Random strobe	
248 - 255	Open	
12. Red	0 - 255	0% - 100%
13. Green	0 - 255	0% - 100%
14. Blue	0 - 255	0% - 100%
15. White	0 - 255	0% - 100%
16. RGBW effect mode	0 - 14	Blackout
	15 - 47	Full on
	48 - 95	Effect (see channel 17-1)
	96 - 135	Number 1 to 9 (see channel 17-2)
	136 - 175	Letter A to Z (see channel 17-3)
	176 - 215	Letter a to z (see channel 17-4)
	216 - 255	Blackout

CHANNEL	DMX	FUNCTION
	0 - 7	No function
	8 - 15	Effect 01
	16 - 23	Effect 02
	24 - 31	Effect 03
	32 - 39	Effect 04
	40 - 47	Effect 05
	48 - 55	Effect 06
	56 - 63	Effect 07
	64 - 71	Effect 08
	72 - 79	Effect 09
	80 - 87	Effect 10
	88 - 95	Effect 11
	96 - 103	Effect 12
	104 - 111	Effect 13
	112 - 119	Effect 14
17-1. RGBW macro effect	120 - 127	Effect 15
	128 - 135	Effect 16
	136 - 143	Effect 17
	144 - 151	Effect 18
	152 - 159	Effect 19
	160 - 167	Effect 20
	168 - 175	Effect 21
	176 - 183	Effect 22
	184 - 191	Effect 23
	192 - 199	Effect 24
	200 - 207	Effect 25
	208 - 215	Effect 26
	216 - 223	Effect 27
	224 - 231	Effect 28
	232 - 239	Effect 29
	240 - 247	Effect 30
	248 - 255	Effect 31
	0 - 25	No function
	26 - 48	Number - 0
	49 - 71	Number - 1
	72 - 94	Number - 2
	95 - 117	Number - 3
17-2. RGBW number	118 - 140	Number - 4
	141 - 163	Number - 5
	164 - 186	Number - 6
	187 - 209	Number - 7
	210 - 232	Number - 8
	233 - 255	Number - 9

CHANNEL	DMX	FUNCTION
	0 - 21	No function
	22 - 30	Letter - A
	31 - 39	Letter - B
	40 - 48	Letter - C
	49 - 57	Letter - D
	58 - 66	Letter - E
	67 - 75	Letter - F
	76 - 84	Letter - G
	85 - 93	Letter - H
	94 - 102	Letter - I
	103 - 111	Letter - J
	112 - 120	Letter - K
	121 - 129	Letter - L
17-3. RGBW big letter	130 - 138	Letter - M
	139 - 147	Letter - N
	148 - 156	Letter - O
	157 - 165	Letter - P
	166 - 174	Letter - Q
	175 - 183	Letter - R
	184 - 192	Letter - S
	193 - 201	Letter - T
	202 - 210	Letter - U
	211 - 219	Letter - V
	220 - 228	Letter - W
	229 - 237	Letter - X
	238 - 246	Letter - Y
	247 - 255	Letter - Z

CHANNEL	DMX	FUNCTION
17-4. RGBW little letter	0 - 21	No function
	22 - 30	Letter - a
	31 - 39	Letter - b
	40 - 48	Letter - c
	49 - 57	Letter - d
	58 - 66	Letter - e
	67 - 75	Letter - f
	76 - 84	Letter - g
	85 - 93	Letter - h
	94 - 102	Letter - i
	103 - 111	Letter - j
	112 - 120	Letter - k
	121 - 129	Letter - l
	130 - 138	Letter - m
	139 - 147	Letter - n
	148 - 156	Letter - o
	157 - 165	Letter - p
	166 - 174	Letter - q
	175 - 183	Letter - r
	184 - 192	Letter - s
	193 - 201	Letter - t
	202 - 210	Letter - u
	211 - 219	Letter - v
	220 - 228	Letter - w
	229 - 237	Letter - x
	238 - 246	Letter - y
247 - 255	Letter - z	
18. Random star	0 - 10	Off
	11 - 63	Slow open slow close
	64 - 73	Off
	74 - 127	Fast open fast close
	128 - 137	Off
	138 - 191	Slow open fast close
	192 - 201	Off
202 - 255	Fast open slow close	

CHANNEL	DMX	FUNCTION
19. Star patent	0 - 11	Patent 1
	12 - 23	Patent 2
	24 - 35	Patent 3
	36 - 47	Patent 4
	48 - 59	Patent 5
	60 - 71	Patent 6
	72 - 83	Patent 7
	84 - 95	Patent 8
	96 - 107	Patent 9
	108 - 119	Patent 10
	120 - 131	Patent 11
	132 - 143	Patent 12
	144 - 155	Patent 13
	156 - 167	Patent 14
	168 - 179	Patent 15
	180 - 191	Patent 16
	192 - 203	Patent 17
204 - 215	Patent 18	
216 - 227	Patent 19	
228 - 239	Patent 20	
240 - 255	Close	
20. Star dimmer	0 - 255	Star dimmer
21. Star strobe	0 - 12	Open
	13 - 25	Close
	26 - 76	Slow - fast
	77 - 127	Slow open fast close
	128 - 178	Fast open slow close
	179 - 242	Random
243 - 255	Open	

DMX PROTOCOL 22 + 144 CH

CHANNEL	DMX	FUNCTION	PORT
1. PAN	0 - 255	0° - 540°	Port A
2. PAN fine	0 - 255		
3. TILT	0 - 255	0° - 450°	
4. TILT fine	0 - 255		
5. PAN/TILT speed	0 - 255	Fast to slow	
6. PAN infinity	0 - 127	PAN position	
	128 - 191	CW infinity	
	192 - 255	CCW infinity	
7. TILT infinity	0 - 127	TILT position	
	128 - 191	CW infinity	
	192 - 255	CCW infinity	
8. Function	0 - 49	No function	
	50 - 59	Enable blackout while P/T moving	
	60 - 69	Disable blackout while P/T moving	
	70 - 79	All reset	
	80 - 255	No Function	
9. Dimmer	0 - 255	0% - 100%	
10. Dimmer fine	0 - 255		
11. Strobe	0 - 7	Close	
	8 - 15	Open	
	16 - 131	Strobe, slow to fast	
	132 - 139	Open	
	140 - 181	Fast close slow open	
	182 - 189	Open	
	190 - 231	Fast open slow close	
	232 - 239	Open	
	240 - 247	Random strobe	
	248 - 255	Open	
12. Red	0 - 255	0% - 100%	
13. Green	0 - 255	0% - 100%	
14. Blue	0 - 255	0% - 100%	
15. White	0 - 255	0% - 100%	
16. RGBW effect switch	0 - 63	No input	
	64 - 127	Console input	
	128 - 191	Media server input	
	192 - 255	Mix input	

CHANNEL	DMX	FUNCTION	PORT
17. RGBW effect mode	0 - 14	Blackout	Port A
	15 - 47	Full on	
	48 - 95	Effect (see channel 18-1)	
	96 - 135	Number - to 9 (see channel 18-2)	
	136 - 175	Letter A to Z (see channel 18-3)	
	176 - 215	Letter a to z (see channel 18-4)	
	216 - 255	Blackout	
18-1. RGBW macro effect	0 - 7	No function	
	8 - 15	Effect 01	
	16 - 23	Effect 02	
	24 - 31	Effect 03	
	32 - 39	Effect 04	
	40 - 47	Effect 05	
	48 - 55	Effect 06	
	56 - 63	Effect 07	
	64 - 71	Effect 08	
	72 - 79	Effect 09	
	80 - 87	Effect 10	
	88 - 95	Effect 11	
	96 - 103	Effect 12	
	104 - 111	Effect 13	
	112 - 119	Effect 14	
	120 - 127	Effect 15	
	128 - 135	Effect 16	
	136 - 143	Effect 17	
	144 - 151	Effect 18	
	152 - 159	Effect 19	
	160 - 167	Effect 20	
	168 - 175	Effect 21	
	176 - 183	Effect 22	
	184 - 191	Effect 23	
	192 - 199	Effect 24	
	200 - 207	Effect 25	
	208 - 215	Effect 26	
	216 - 223	Effect 27	
	224 - 231	Effect 28	
	232 - 239	Effect 29	
	240 - 247	Effect 30	
248 - 255	Effect 31		

CHANNEL	DMX	FUNCTION	PORT
18-2. RGBW number	0 - 25	No function	Port A
	26 - 48	Number - 0	
	49 - 71	Number - 1	
	72 - 94	Number - 2	
	95 - 117	Number - 3	
	118 - 140	Number - 4	
	141 - 163	Number - 5	
	164 - 186	Number - 6	
	187 - 209	Number - 7	
	210 - 232	Number - 8	
233 - 255	Number - 9		
18-3. RGBW big letter	0 - 21	No function	Port A
	22 - 30	Letter - A	
	31 - 39	Letter - B	
	40 - 48	Letter - C	
	49 - 57	Letter - D	
	58 - 66	Letter - E	
	67 - 75	Letter - F	
	76 - 84	Letter - G	
	85 - 93	Letter - H	
	94 - 102	Letter - I	
	103 - 111	Letter - J	
	112 - 120	Letter - K	
	121 - 129	Letter - L	
	130 - 138	Letter - M	
	139 - 147	Letter - N	
	148 - 156	Letter - O	
	157 - 165	Letter - P	
	166 - 174	Letter - Q	
	175 - 183	Letter - R	
	184 - 192	Letter - S	
	193 - 201	Letter - T	
	202 - 210	Letter - U	
	211 - 219	Letter - V	
	220 - 228	Letter - W	
	229 - 237	Letter - X	
	238 - 246	Letter - Y	
247 - 255	Letter - Z		

CHANNEL	DMX	FUNCTION	PORT
18-4. RGBW little letter	0 - 21	No function	Port A
	22 - 30	Letter - a	
	31 - 39	Letter - b	
	40 - 48	Letter - c	
	49 - 57	Letter - d	
	58 - 66	Letter - e	
	67 - 75	Letter - f	
	76 - 84	Letter - g	
	85 - 93	Letter - h	
	94 - 102	Letter - i	
	103 - 111	Letter - j	
	112 - 120	Letter - k	
	121 - 129	Letter - l	
	130 - 138	Letter - m	
	139 - 147	Letter - n	
	148 - 156	Letter - o	
	157 - 165	Letter - p	
	166 - 174	Letter - q	
	175 - 183	Letter - r	
	184 - 192	Letter - s	
	193 - 201	Letter - t	
	202 - 210	Letter - u	
	211 - 219	Letter - v	
	220 - 228	Letter - w	
229 - 237	Letter - x		
238 - 246	Letter - y		
247 - 255	Letter - z		
19. Random star	0 - 10	Off	Port A
	11 - 63	Slow open slow close	
	64 - 73	Off	
	74 - 127	Fast open fast close	
	128 - 137	Off	
	138 - 191	Slow open fast close	
	192 - 201	Off	
202 - 255	Fast open slow close		

CHANNEL	DMX	FUNCTION	PORT
20. Star patent	0 - 11	Patent 1	Port A
	12 - 23	Patent 2	
	24 - 35	Patent 3	
	36 - 47	Patent 4	
	48 - 59	Patent 5	
	60 - 71	Patent 6	
	72 - 83	Patent 7	
	84 - 95	Patent 8	
	96 - 107	Patent 9	
	108 - 119	Patent 10	
	120 - 131	Patent 11	
	132 - 143	Patent 12	
	144 - 155	Patent 13	
	156 - 167	Patent 14	
	168 - 179	Patent 15	
	180 - 191	Patent 16	
192 - 203	Patent 17		
204 - 215	Patent 18		
216 - 227	Patent 19		
228 - 239	Patent 20		
240 - 255	Close		
21. Star dimmer	0 - 255	Star dimmer	
22. Star strobe	0 - 12	Open	
	13 - 25	Close	
	26 - 76	Slow - fast	
	77 - 127	Slow open fast close	
	128 - 178	Fast open slow close	
	179 - 242	Random	
	243 - 255	Open	
1-144. 36 RGBW pixel	0 - 255		Port B

DMX PROTOCOL 166 CH

CHANNEL	DMX	FUNCTION
1. PAN	0 - 255	0° - 540°
2. PAN fine	0 - 255	
3. TILT	0 - 255	0° - 450°
4. TILT fine	0 - 255	
5. PAN/TILT speed	0 - 255	Fast to slow
6. PAN infinity	0 - 127	PAN position
	128 - 191	CW infinity
	192 - 255	CCW infinity
7. TILT infinity	0 - 127	TILT position
	128 - 191	CW infinity
	192 - 255	CCW infinity
8. Function	0 - 49	No function
	50 - 59	Enable blackout while P/T moving
	60 - 69	Disable blackout while P/T moving
	70 - 79	All reset
	80 - 255	No Function
9. Dimmer	0 - 255	0% - 100%
10. Dimmer fine	0 - 255	
11. Strobe	0 - 7	Close
	8 - 15	Open
	16 - 131	Strobe, slow to fast
	132 - 139	Open
	140 - 181	Fast close slow open
	182 - 189	Open
	190 - 231	Fast open clow close
	232 - 239	Open
	240 - 247	Random strobe
248 - 255	Open	
12. Red	0 - 255	0% - 100%
13. Green	0 - 255	0% - 100%
14. Blue	0 - 255	0% - 100%
15. White	0 - 255	0% - 100%
16. RGBW effect switch	0 - 63	No input
	64 - 127	Console input
	128 - 191	Media server input
	192 - 255	Mix input

CHANNEL	DMX	FUNCTION
17. RGBW effect mode	0 - 14	Blackout
	15 - 47	Full on
	48 - 95	Effect (see channel 18-1)
	96 - 135	Number - to 9 (see channel 18-2)
	136 - 175	Letter A to Z (see channel 18-3)
	176 - 215	Letter a to z (see channel 18-4)
	216 - 255	Blackout
18-1. RGBW macro effect	0 - 7	No function
	8 - 15	Effect 01
	16 - 23	Effect 02
	24 - 31	Effect 03
	32 - 39	Effect 04
	40 - 47	Effect 05
	48 - 55	Effect 06
	56 - 63	Effect 07
	64 - 71	Effect 08
	72 - 79	Effect 09
	80 - 87	Effect 10
	88 - 95	Effect 11
	96 - 103	Effect 12
	104 - 111	Effect 13
	112 - 119	Effect 14
	120 - 127	Effect 15
	128 - 135	Effect 16
	136 - 143	Effect 17
	144 - 151	Effect 18
	152 - 159	Effect 19
	160 - 167	Effect 20
	168 - 175	Effect 21
	176 - 183	Effect 22
	184 - 191	Effect 23
	192 - 199	Effect 24
	200 - 207	Effect 25
	208 - 215	Effect 26
	216 - 223	Effect 27
	224 - 231	Effect 28
	232 - 239	Effect 29
	240 - 247	Effect 30
248 - 255	Effect 31	

CHANNEL	DMX	FUNCTION
18-2. RGBW number	0 - 25	No function
	26 - 48	Number - 0
	49 - 71	Number - 1
	72 - 94	Number - 2
	95 - 117	Number - 3
	118 - 140	Number - 4
	141 - 163	Number - 5
	164 - 186	Number - 6
	187 - 209	Number - 7
	210 - 232	Number - 8
233 - 255	Number - 9	
18-3. RGBW big letter	0 - 21	No function
	22 - 30	Letter - A
	31 - 39	Letter - B
	40 - 48	Letter - C
	49 - 57	Letter - D
	58 - 66	Letter - E
	67 - 75	Letter - F
	76 - 84	Letter - G
	85 - 93	Letter - H
	94 - 102	Letter - I
	103 - 111	Letter - J
	112 - 120	Letter - K
	121 - 129	Letter - L
	130 - 138	Letter - M
	139 - 147	Letter - N
	148 - 156	Letter - O
	157 - 165	Letter - P
	166 - 174	Letter - Q
	175 - 183	Letter - R
	184 - 192	Letter - S
	193 - 201	Letter - T
	202 - 210	Letter - U
	211 - 219	Letter - V
	220 - 228	Letter - W
	229 - 237	Letter - X
	238 - 246	Letter - Y
247 - 255	Letter - Z	

CHANNEL	DMX	FUNCTION
18-4. RGBW little letter	0 - 21	No function
	22 - 30	Letter - a
	31 - 39	Letter - b
	40 - 48	Letter - c
	49 - 57	Letter - d
	58 - 66	Letter - e
	67 - 75	Letter - f
	76 - 84	Letter - g
	85 - 93	Letter - h
	94 - 102	Letter - i
	103 - 111	Letter - j
	112 - 120	Letter - k
	121 - 129	Letter - l
	130 - 138	Letter - m
	139 - 147	Letter - n
	148 - 156	Letter - o
	157 - 165	Letter - p
	166 - 174	Letter - q
	175 - 183	Letter - r
	184 - 192	Letter - s
	193 - 201	Letter - t
	202 - 210	Letter - u
	211 - 219	Letter - v
	220 - 228	Letter - w
	229 - 237	Letter - x
	238 - 246	Letter - y
247 - 255	Letter - z	
19. Random star	0 - 10	Off
	11 - 63	Slow open slow close
	64 - 73	Off
	74 - 127	Fast open fast close
	128 - 137	Off
	138 - 191	Slow open fast close
	192 - 201	Off
202 - 255	Fast open slow close	

CHANNEL	DMX	FUNCTION
20. Star patent	0 - 11	Patent 1
	12 - 23	Patent 2
	24 - 35	Patent 3
	36 - 47	Patent 4
	48 - 59	Patent 5
	60 - 71	Patent 6
	72 - 83	Patent 7
	84 - 95	Patent 8
	96 - 107	Patent 9
	108 - 119	Patent 10
	120 - 131	Patent 11
	132 - 143	Patent 12
	144 - 155	Patent 13
	156 - 167	Patent 14
	168 - 179	Patent 15
	180 - 191	Patent 16
192 - 203	Patent 17	
204 - 215	Patent 18	
216 - 227	Patent 19	
228 - 239	Patent 20	
240 - 255	Patent 21	
21. Star dimmer	0 - 255	Star dimmer
22. Star strobe	0 - 12	Open
	13 - 25	Close
	26 - 76	Slow - fast
	77 - 127	Slow open fast close
	128 - 178	Fast open slow close
	179 - 242	Random
243 - 255	Open	
23 - 166	0 - 255	36 RGBW pixel

DMX PROTOCOL 206 CH

CHANNEL	DMX	FUNCTION
1. PAN	0 - 255	0° - 540°
2. PAN fine	0 - 255	
3. TILT	0 - 255	0° - 450°
4. TILT fine	0 - 255	
5. PAN/TILT speed	0 - 255	Fast to slow
6. PAN infinity	0 - 127	PAN position
	128 - 191	CW infinity
	192 - 255	CCW infinity
7. TILT infinity	0 - 127	TILT position
	128 - 191	CW infinity
	192 - 255	CCW infinity
8. Function	0 - 49	No function
	50 - 59	Enable blackout while P/T moving
	60 - 69	Disable blackout while P/T moving
	70 - 79	All reset
	80 - 255	No Function
9. Dimmer	0 - 255	0% - 100%
10. Dimmer fine	0 - 255	
11. Strobe	0 - 7	Close
	8 - 15	Open
	16 - 131	Strobe, slow to fast
	132 - 139	Open
	140 - 181	Fast close slow open
	182 - 189	Open
	190 - 231	Fast open clow close
	232 - 239	Open
	240 - 247	Random strobe
248 - 255	Open	
12 - 155. 36 RGBW pixel	0 - 255	
156. Star dimmer	0 - 255	
157. Star Strobe	0 - 12	Open
	13 - 25	Close
	26 - 76	Slow - fast
	77 - 127	Slow open fast close
	128 - 178	Fast open slow close
	179 - 242	Random
243 - 255	Open	
158 - 206. 49 Star pixel	0 - 255	

CLEANING AND MAINTENANCES

- To ensure that the fixture works normally, always keep it clean. We recommend to clean the fans and ventilation inlet frequently. The lens and dichroic color filters should also be cleaned regularly to maintain an optimum light output. Do not use any type of chemicals to clean the dichroic color filters, it will damage the fixture.
- Disconnect the power supply when you start maintenance. Please let the fixture cool down for at least 10 minutes. If you need to replace the lamp, please wait for at least 30 minutes to let the lamp cool down completely to prevent burn injuries.
- Please inspect the lens or other moving parts regularly and keep them clear and static free. If you find anything damaged or loose, you must replace the fixture or repair the fixture in order to avoid accidents.
- The light uses a strong cooling system. Please clean the fan inlet frequently.

TROUBLESHOOTING

It is recommended to check the following list when troubleshooting. Any unsolved problems should always be handled by a qualified person. Disconnect the power supply before opening the fixture.

Lamp off

- Please check if the lamp is installed properly.
- Please check the connection of the power supply or switch is ok.
- Please check the lamp hours of the lamp. If it is too much, please replace the lamp.
- Please check if the power supply is between 100 and 240 VAC.
- Please check the connection of the trigger circuit inside the base has a loose contact.
- Please check if the temperature switch is damaged.
- Enter the menu "information" then select "temperature" to see whether the temperature display board is too high or has no temperature information at all.

The light beam is not bright or not uniform

- When the lamp hours are consumed, please change bulb.
- Please check the reflector parts. Keep them clear but do not use chemicals.
- Enter the menu "service options" to choose "calibration" to enter the "Color" calibration.

The light shadow is blurred

- Please check the electric focus inside.
- Please check the focus and lens for dirt. After cleaning, please add some temperature durable oil on the moving parts.

The light works interrupted

- Please check if the fan works normally.
- Please check whether fan covers are clean.
- Please check if the lamp is not at the end of the usage time.
- Please check if the power supply is between 100 and 240 VAC and if the connection of the power supply or the circuit are good.
- Please check if the temperature switch is correct.

Not responding to DMX controller

- DMX LED should be on. If not, check DMX connectors, cables to see if they are linked properly.
- If the DMX LED is on and no response to the channel, check the address settings and DMX polarity.
- If you have intermittent DMX signal problems, check the pins on connectors or on PCB of the unit or the previous one.
- Try to use another DMX controller.
- Check to see if the DMX cables run near or alongside to high voltage cables that may cause damage or interference to DMX interface circuit.

SPECIFICATIONS

Power	580W
Voltage / frequency	AC100V - 240V - 50/60Hz
Netto weight	20kg
Size	466x246x575mm
Channel	21 / 22 (DMX) + 144 (VIDEO), 166, 206
Beam angle	6°
EAN CODE	8719189163124
Color	36 individually controllable RGBW LEDs Macro effects
Star effect	49 individually controllable CW LEDs Macro effects
Shutter	Variable 0 – 100%, random, pulse
Dimmer	0 – 100%
Source	36 x RGBW LEDs + 49 CW LEDs
Power	Powercon in and out
Data	3 & 5 pin locking XLR, RJ45
Output	25800 lx @ 5M
Settings	LCD display
Protocols	DMX512, RDM, Art-Net
Updates	By DMX Link
Mounting	Omega brackets
Orientation	Any
Protection rating	IP20
Safety	Attachment point
Pan	Infinite
Tilt	Infinite
Resolution	16 bit
Minimum ambient temperature	0C°
Maximum ambient temperature	35C°
Cooling	Low noise controllable fan
Article number	160110
Included items	User manual
	Power cable
	DMX cable
	Omega bracket

