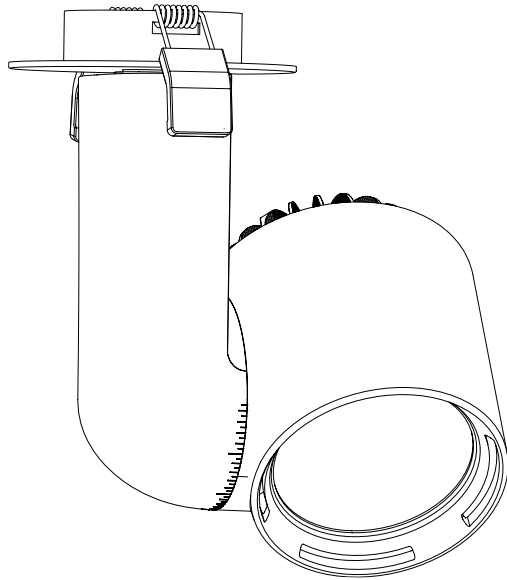


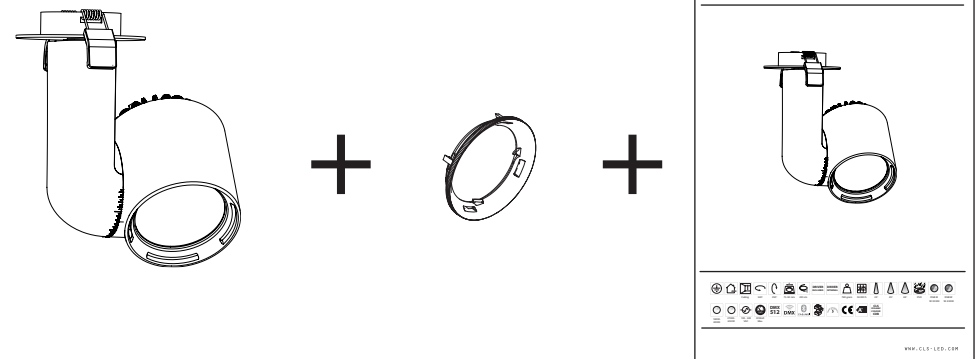
Index	2	Installation	4	Programming table	6
Safety information	2	Programming	5	Snoot / half snoot assembly	7
Content	2	Factory setting table	5	Honey comb assembly	8
Technical	3	Wireless DMX	5	Accessories	9
Specifications	3	Bluetooth by Casambi	5	List of symbols	10



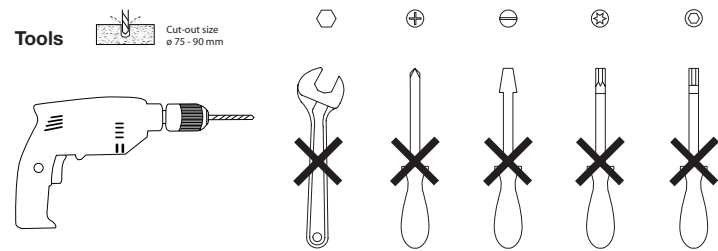
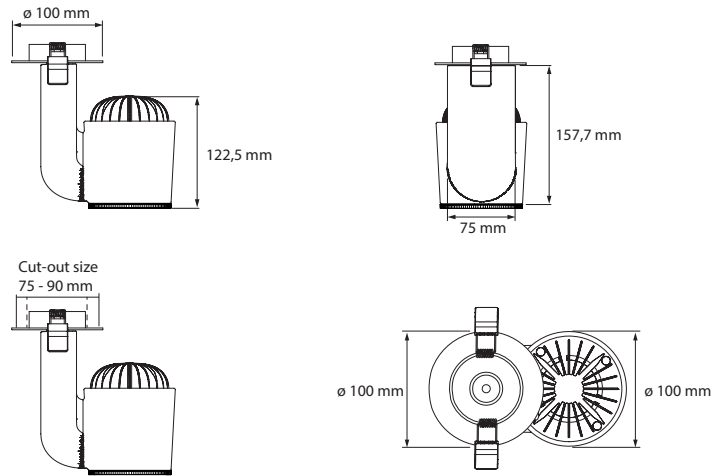
## SAFETY INFORMATION

Make sure all connectors are connected properly	Use a source of AC power that complies to local electrical codes	Block access below the work area when maintaining the unit	Don't modify or install genuine parts on this product	Don't install in a flammable or explosive area	Warning! Some surfaces can be hot

## CONTENT



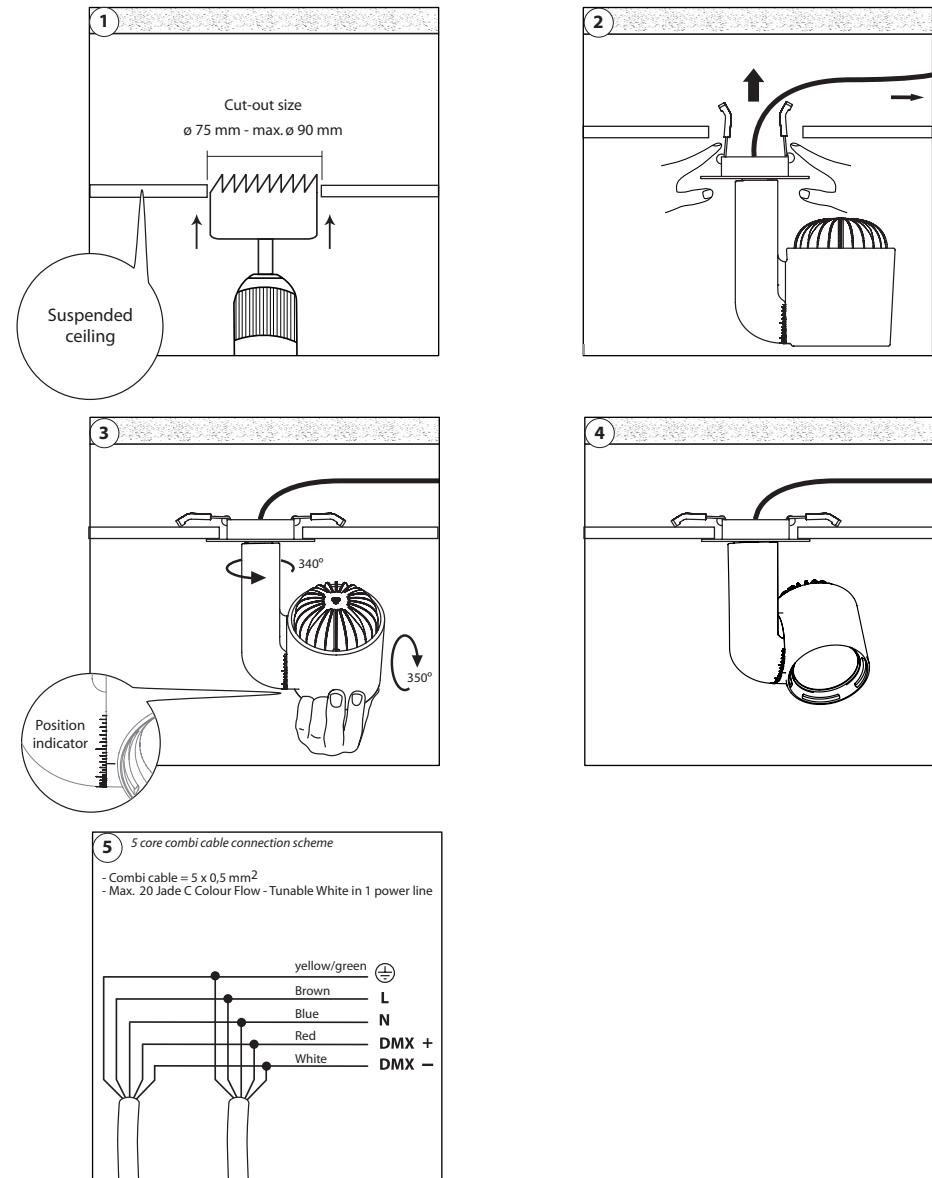

# TECHNICAL



## SPECIFICATIONS

LED:	High Power LED
Colour changing:	RGBW (w: 3000K), RGBW (w: 4000K) or RGBA
Tunable White:	1800K-4000K & 2700K-6500K
Beam angle:	23°, 45° or 69°
Power supply:	100 ~ 240 VAC
Power consumption:	Max. 30 Watt (1450 lumen)
Housing:	Black, grey or white PC (PC-ABS V0) Heatsink black or white coated aluminium
Weight:	780 gram
IP value:	IP20
Cable length:	200 centimeters
Measurements:	157,7 x 100 x 100 mm (hxwx d)
Ambient temperature:	-10° C till +40° C

# INSTALLATION

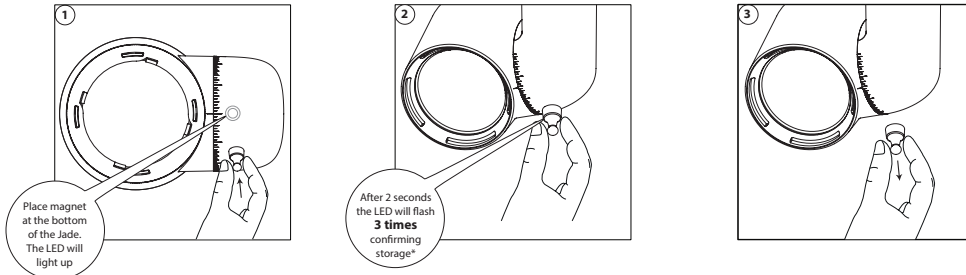


# PROGRAMMING

All settings can be configured via DMX. Settings can be configured at once or separately. When one or a couple settings needs to be changed just leave all other setting values zero. This keeps those settings unchanged. Please check the table for more information.

Always use a DMX controller with digital interface. If not available, you can purchase the CLS D-ta DMX addresser unit (#122200).

First make sure to set the DATA on the DMX controller. To program the setting into the LED fixture follow the next steps.



\* If the LEDs flashes **10 times**, something went wrong. Please try again. If the problem continues to occur, please contact your local sales distributor.

## WIRELESS DMX

See the Manual of Wireless Solutions. The Manual can be found on our CLS website, in the Downloads section. Or use the link below <https://www.cls-led.com/wp-content/uploads/cls-files/W-DMX-manual.pdf>

### Unlink procedure

When the fixture does not receive a DMX signal (DMX controller off), place the magnet on the bottom of the fixture for 5 seconds. Slow flash indicates that the fixture is unlinked.

## BLUETOOTH BY CASAMBI

For Casambi controlled fixtures, see the manual of Casambi. The Manual can be found on our CLS website, in the Downloads section.

Or use the link below:

[https://www.cls-led.com/wp-content/uploads/cls-products/CLS\\_CASAMBI/MANUAL/Manual\\_Casambi\\_controlsystem\\_EN.pdf](https://www.cls-led.com/wp-content/uploads/cls-products/CLS_CASAMBI/MANUAL/Manual_Casambi_controlsystem_EN.pdf)

# PROGRAMMING TABLE

PROGRAMMING TABLE				
DMX	Function	Data	Parameters	Description
CH1	Set address 001 to 255	0	0 = no change	Use this DMX channel to set address from 1 to 255. ( DMX address is called "n")
		1...255	DMX address = 1...255	
CH2	Set address 256 to 508	0	no change	Use this DMX channel to set address from 256 to 508. (DMX address is called "n")
		1...255	DMX address = 256...508	
CH3	Static behavior	0	no change	If no DMX is present the fixture will respond like set in this function.
		1	last DMX value	
		2	output off	
		3	load static values	
CH4	Soft dim	0	no change	When dynamic softdim is activated an extra DMX channel behind the colours and/or master controls the soft dim reaction. If fixed no extra DMX channel is used.
		1	off	
		2	Dynamic	
		3-250	Fixed interpolation delay	
CH5	Master control	0	no change	If master is first channel is selected the channel will be DMX channel "n". If master is last channel is selected the channel will be "n+x" ("x" is calculated in the output patch).
		1	no master used	
		2	master is first channel	
		3	master is last channel	
CH6	Output 1 patch	0	no change	Each output channel can be patched to respond to the desired DMX channel. This enables the user to mix up the colours according to the controller that is used.
		1	DMX channel n	
		2	DMX channel n+1	
		3	DMX channel n+2	
		4	DMX channel n+3	
CH7	Output 2 patch	0	no change	<b>Example: all outputs are patched as 1</b> All outputs will be controlled by DMX channel "n". If master is used total DMX channels will be 2 otherwise it uses 1 channel ("x" = 1).
		1	DMX channel n	
		2	DMX channel n+1	
		3	DMX channel n+2	
		4	DMX channel n+3	
CH8	Output 3 patch	0	no change	<b>Example: output 1&amp;2 are patched as 1 and 3&amp;4 are patched as 2</b> Output 1 & 2 will be controlled by DMX channel "n". Output 3 & 4 will be controlled by DMX channel "n+1". If master is used total DMX channels will be 3 otherwise it uses 2 channels ("x" = 2).
		1	DMX channel n	
		2	DMX channel n+1	
		3	DMX channel n+2	
		4	DMX channel n+3	
CH9	Output 4 patch	0	no change	If master is used total DMX channels will be 3 otherwise it uses 2 channels ("x" = 2).
		1	DMX channel n	
		2	DMX channel n+1	
		3	DMX channel n+2	
		4	DMX channel n+3	
CH10	Static output 1	0	no change	Each output channel can be set to a static intensity.
		1	output off	
		2...255	intensity 2...255	
CH11	Static output 2	0	no change	If no DMX is present and Static behavior is set to "load static values". The outputs will be set to the configured intensity values.
		1	output off	
		2...255	intensity 2...255	
CH12	Static output 3	0	no change	
		1	output off	
		2...255	intensity 2...255	
CH13	Static output 4	0	no change	
		1	output off	
		2...255	intensity 2...255	
CH14	Load default settings	0	no change	This function resets all settings to the Factory setting.
		1	Load Factory settings.	

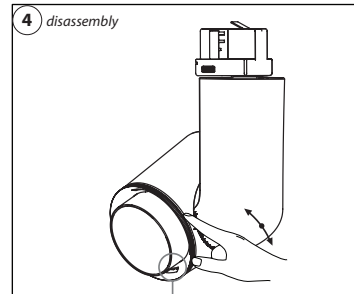
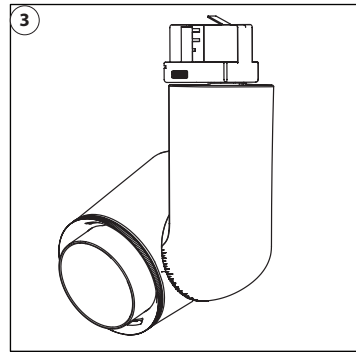
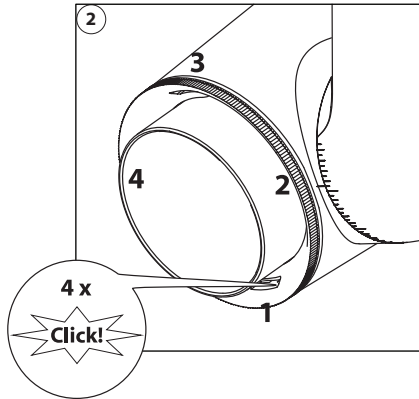
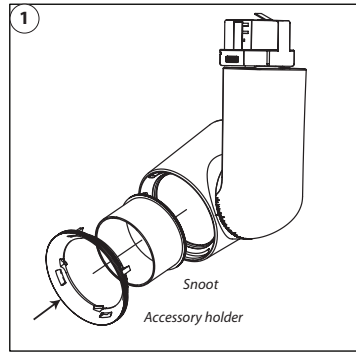
	Number of DMX channels needed			
LED colour	1	2	3	4
Single colour	×			
Tunable White		✓		
ColourFlow				✓



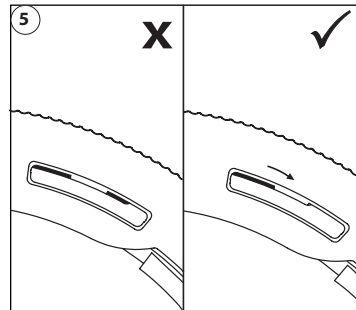
**Max. 20 pieces of Jade can be connected in a group. Max. 20 pieces of Jade per DMX line on a rail.**

# SNOOT / HALF SNOOT ASSEMBLY

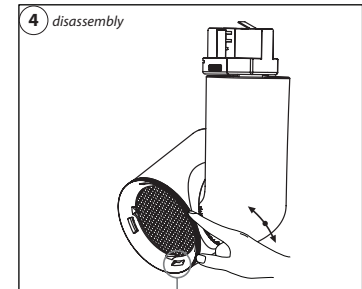
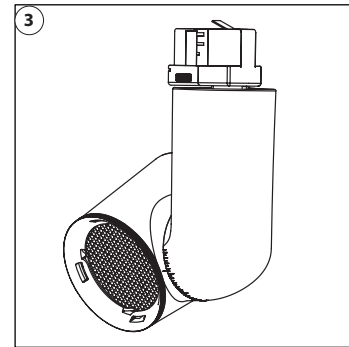
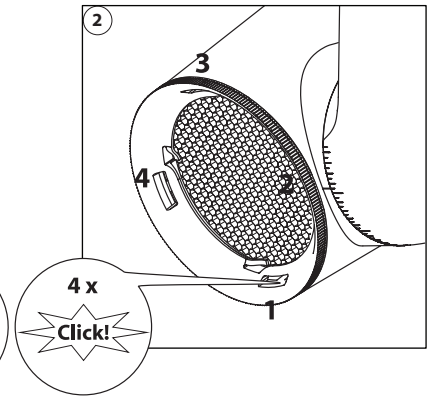
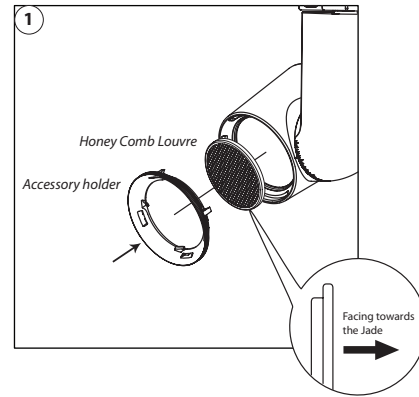
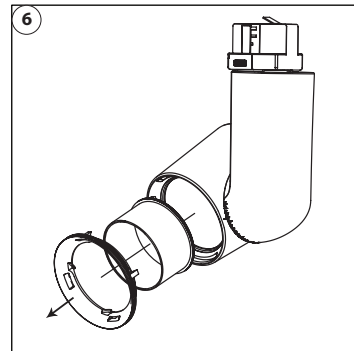
# HONEY COMB LOUVRE ASSEMBLY



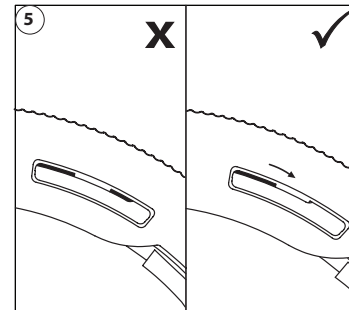
Removing the snoot: rotate the accessory holder fully to the right or left, until you are not able to rotate it any further. (See step 5)



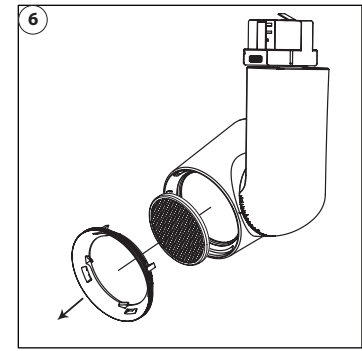
When you feel the resistance, pull the accessory holder out of the mountingslot.



Removing the honey comb: rotate the accessory holder fully to the right or left, until you are not able to rotate it any further. (See step 5)



When you feel the resistance, pull the accessory holder out of the mountingslot.



# ACCESSORIES

## ACCESSORIES

122200	CLS D-Ta DMX tester/addresser unit
Y106017	CLS Magnet pin (5 pcs)
Y106200-B	CLS Jade Expo Snoot, black
Y106200-W	CLS Jade Expo Snoot, white (black inside)
Y106201-B	CLS Jade Expo Half Snoot, black
Y106201-W	CLS Jade Expo Half Snoot, white (black inside)
Y106215	CLS Jade Expo Honey Comb louvre

2023 CLS-LED BV. All rights reserved. Information subject to change without notice, CLS-LED BV and all affiliated companies disclaim liability for injury, damage direct or indirect loss, consequential or economic loss or any other loss occasioned by the use of, inability to use or reliance on the information contained in this manual. No part of this manual may be reproduced, in any form or by any means, without permission in writing from CLS-LED BV. Other legal information can be found in our General conditions, found on the back of your CLS-LED BV invoice, inside the CLS catalogue or on our website [www.cls-led.com/General-Terms.pdf](http://www.cls-led.com/General-Terms.pdf)

# LIST OF SYMBOLS

	<b>Protection class</b> One, two or three		<b>Retail &amp; Food LED modules</b> Clothing, furniture, kitchens, jewellery, shoes, bread, meat, fish and vegetables & fruit.
	<b>Application area</b> Indoor or outdoor		<b>Colour</b> Available colours: Amber, blue, red or green
	<b>Application area</b> Floor, wall or ceiling		<b>White colour temperature</b> In different Kelvin values: Cold white, neutral white, warm white or extra warm white
	<b>Swivel</b> Fixture is horizontally rotatable, indicated in degrees		<b>Curve</b> Minimal bending curve in centimeters
	<b>Swivel</b> Fixture is vertically rotatable, indicated in degrees		<b>Cutting length</b> Indicated by the cutting marks
	<b>Multiple connection</b> Daisychain connectivity		<b>LED pitch</b> Pitch between the LEDs in millimeters
	<b>Installation depth</b> In centimeters		<b>Power supply</b> In VDC, VAC or milliAmpere
	<b>Installation size</b> In centimeters		<b>Power consumption</b> In VA or Watt
	<b>Cable length</b> Maximum cable attached to the fixture in centimeters		<b>Dimmable</b> 1-10 Volt, Phase, individual, DMX dimmable or DALI
	<b>Driver</b> Inclusive or exclusive internal or external		<b>PWM dimming</b> Traditional PWM dimming, DMX analog or DMX Hybrid dim
	<b>Weight</b> In grams/kilograms		<b>Bluetooth controlled</b> By Casambi
	<b>Pressure</b> Maximum pressure on the fixture in kg/cm <sup>2</sup>		<b>Magne dimming</b> Accurate dimming from 100 - 1% by using a magnet
	<b>Lifespan</b> Of the light source in hours		<b>Dynamic Control</b> Dynamic Power Control or Dynamic Temperature Control
	<b>Lenses</b> Available lenses, indicated in degrees		<b>DMX input</b> Fixture works on DMX512 protocol or Wireless DMX
	<b>Performance Zoom</b> Adjustable beam angle		<b>Combined product</b> Compose your own fixture
	<b>LEDs</b> Kind of LED used in the fixture		<b>Warranty</b> 3 or 5 years warranty on the product
	<b>Plug &amp; play</b> Easy connection using the SmartConnect system		<b>Conformité Européenne</b> CE marking for free marketability of industrial goods within the EU
	<b>IP value</b> Ingress Protection classifies the degrees of protection provided against the intrusion of the product		<b>Energy label</b>
	<b>Colour changing</b> RGB, RGB-W, RGB-A, AWB or Tunable White		<b>Lightsource</b> Equipped with a CLS, Bridgelux or a Xicato LED module