

ArcSystem Navis & F-Drive

Your LED system, your way



ArcSystem Navis & F-Drive

One LED system designed for beautiful optics, simple installation, accessible control, and complete customization



ARCSYSTEM NAVIS LUMINAIRES



One Luminaire, Endless Looks

Update a Navis fixture's beam angle, trim plate, and optical accessories within seconds – saving you time and money as your design needs change during and after installation.

Easy Installation

Even in tight ceiling spaces, Navis is easily adjustable. Save the time and headache during installation with 360-degree rotation capabilities and a 30-degree tilt that doesn't break the ceiling plane.



Simple Connection

Daisy-chain Navis to maintain individual control of each fixture, while minimizing required wiring. The Navis and F-Drive system uses standard Category type cabling to make setup more efficient and more affordable.



Expansive Color

Achieve the exact look you want with Navis Fixed White, Fade to Warm, or RGBW luminaires. Advanced LED technology means you can expect consistent color quality across an entire Navis installation.





F-DRIVE CENTRALIZED DRIVER SYSTEM



Accessible Power & Control

Designed for use with Navis, F-Drive provides a centralized approach for controlling LED luminaires. Support staff can easily service the system's critical components with the remote, easy access F-Drive offers.



Cards For Every System

Configure F-Drive R12 to suit the needs of any space with hot-swappable output cards. The five cards, including CC and CV versions, bring modular control to LED systems using either Navis or third-party fixtures.



Wall-Mount & Emergency Options

The F-Drive W1 wall-mount solution features four individually addressable outputs for additional flexibility. The dual-input W1E version is also available for systems in need of a reliable emergency control solution.

NAVIS LOCAL DRIVER SOLUTION

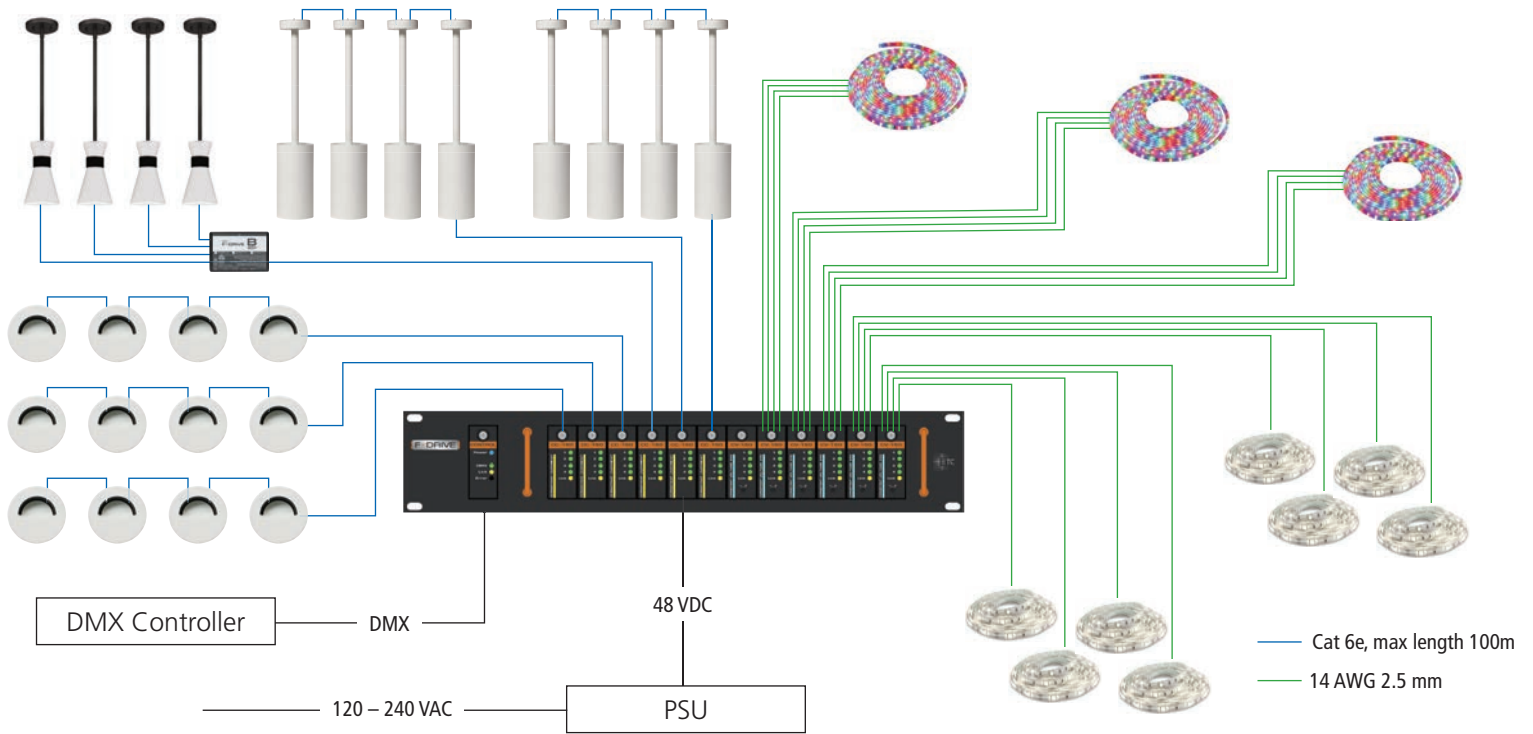


Local Driver Where You Need It

Navis 100 Sidekick offers a small, local, line voltage driver solution that attaches directly to Navis 100 luminaires. Maintain consistent dimming performance while simplifying installations in spaces like hallways, guest rooms, and more.



MAKE ANY ARCSYSTEM NAVIS & F-DRIVE LED SYSTEM YOUR OWN



To start building an ArcSystem Navis and F-Drive LED system, visit etconnect.com



Corporate Headquarters ■ Middleton, WI USA
Global Offices ■ London, UK ■ Rome, IT ■ Holzkirchen, DE ■ Paris, FR ■ Hong Kong
 Dubai, UAE ■ Singapore ■ New York, NY ■ Orlando, FL ■ Los Angeles, CA ■ Austin, TX
 Copyright©2023 ETC. All Rights Reserved. All product information and specifications subject to change.
 Trademark and patent info: etconnect.com/IP

etconnect.com