



Type(s)  
Project  
Date  
Notes

OVERVIEW

Fixture Overview

Featuring a small footprint but a huge feature set, SolaFrame 750 is a perfect fit for small to medium-sized venues, and its 11,300 lumens can easily cut through the competition. The most compact framing fixture in the Sola Series family of automated tools, SolaFrame 750 is available in Ultra-Bright and High CRI versions and offers the widest array of effects currently available in a fixture of its size.

Applications

- Houses of worship
- Nightclubs and retail installations
- Small to medium-sized performance venues
- Cruiseships and themed entertainment
- Production rental companies
- Tradeshows
- Studio and film

Product Features

- Small footprint, powerful output
- Four full-curtain framing shutters
- 6°–50° zoom
- Rotating gobo wheel with Interchangeable Gobos
- Fully continuous animation wheel
- CMY/CTO-Linear color mixing
- Replaceable color wheel
- Iris
- Three-facet prism
- Frost
- Three active cooling modes
- Patented lens defogger
- ArtNet, DMX, and sACN control with patented internal data conversion

ORDERING INFORMATION

SolaFrame 750

Model	Description
2560A1200-B	SolaFrame 750 fixture, Ultra-Bright, black, with molded rubber insert
2560A1201-B	SolaFrame 750 fixture, High CRI, black, with molded rubber insert

**Color Options:** Fixtures ship standard in black. White available by request.  
**Included Accessories:** Fixture includes two (2) Omega brackets, one (1) fixture power cord, bare ends to powerCON® TRUE1® input, and a safety cable.

Accessories

Model	Description
67040010	Mini-Claw™
67040007	Mega-Claw™
55040014	Cheeseborough Two Alloy 1/2 Couple Truss Clamp
2560B7009	Fixture Power Cord upgrade, 5-15 Edison to powerCON TRUE1, 15 A
2560B7005	Fixture Power Cord upgrade, Stage Pin to powerCON TRUE1, 20 A
2560B7006	Fixture Power Cord upgrade, L6-20 to powerCON TRUE1, 20 A
2560B7007	Fixture Power Cord upgrade, L5-20 to powerCON TRUE1, 20 A



PRODUCT SPECIFICATIONS

Source

Engine Options	Ultra-bright white engine	High CRI white engine
LED Wattage	270 W	270 W
Max Lumens	11,300 lumens	9,000 lumens
LPW	42 lumens per watt	33 lumens per watt
LED Life	50,000 hours	50,000 hours
Native CCT	7000 K	6000 K
Transferable Light Engine	Yes	Yes

Color

Color Mixing	Cyan, Magenta, Yellow, CTO- Linear
Color Temperature	Vairable down to 2800 K
Color Wheel	Seven (7) interchangeable dichroic chips plus open
Notes	See page 4 for color rendering Information

Optical

Zoom Range	6°–50°
Gate Size	22 mm (0.87 in)
Pattern Projection	Rotating and indexable wheel with seven (7) patterns plus open
Prism	Three-facet rotating prism
Frost	Light frost Additional accessories available
Flicker Control/Hz Range	2.4 kHz or 16 kHz
Animation	Rotating animation wheel
Iris	16 Blade Iris
Framing	Four-plane, full-curtain framing system with 90° module rotation
Flicker Control/Hz Range	2.4 kHz or 16 kHz

Control

Input Method	DMX (5-pin), or Ethernet
Protocols	DMX via RS-485 Art-Net or sACN via Ethernet
Ethernet Pass-Thru	Passive Ethernet in and thru with and without power
Data Conversion	Patented data conversion system for: DMX to Ethernet Ethernet to DMX
Modes (Footprint)	One (47)
RDM Functions	Yes
UI Type	Full color graphical UI with 6 button navigational control.
Local Control	Yes
Dimming Performance	16-bit, DMX controlled

**Notes:** All LED sources experience some lessening of light output and some color shift over time. LED output will vary with thermal conditions. Thermal conditions can be affected by ambient temperatures and orientation.

Electrical

Voltage Range	100–240VAC 50-60 Hz
Input Method	powerCON TRUE1
Wattage (Standard/+Defogger)	515 W / 562 W
Current (Max/Standard)	5.62 A @ 100 V / 2.26 A @ 240 V
Inrush (first half-cycle)	120 V: 22.8 A 208 V: 38.8 A
Notes	See page 5 for power factor information

Thermal

Ambient Operating Temperature	0°–45°C (32°–113°F)
Fan	Three modes: Standard, Continuous, Studio
Stationary dBA	33 dBA at 40°C ambient
Lens Defogging	Patented Lens Defogger included

Physical

Pan and Tilt Range	540° pan, 265° tilt
Max Pan/Tilt Speed	360° in 2.27s / 180° in 1.28s
Materials	Steel and aluminum frame with molded plastic covers
Color Options	Black, white by request
Mounting Options	Any orientation
IP Rating	IP20
Weight	28.6 kg (63 lb)
Included Accessories	powerCON TRUE1 to bare end fixture tail Two (2) clamp brackets Safety cable

Warranty

Fixture Warranty	Two (2) year fixture warranty Five (5) year LED warranty
Warranty Details	<a href="http://highend.com/warranty/">highend.com/warranty/</a>

Regulatory & Compliance

Approved Regulatory Standards	Conforms to UL STD.1573 Certified to CSA STD. C22.2 No: 166 CE
-------------------------------	--

Safety

Safety	Minimum distance to illuminated surface = 1.5 m (5.0 ft) Minimum distance from fixture head to combustible materials = 0.5 m (1.6 ft)
--------	--

OPTICAL INFORMATION

**Rotating Gobo Details**

Outside Diameter	30 mm (1.18 in)
Image Diameter	21 mm (0.83 in)
Materials	0.5 mm aluminum or 1.1 mm glass Borofloat®


**Color Wheel Details**

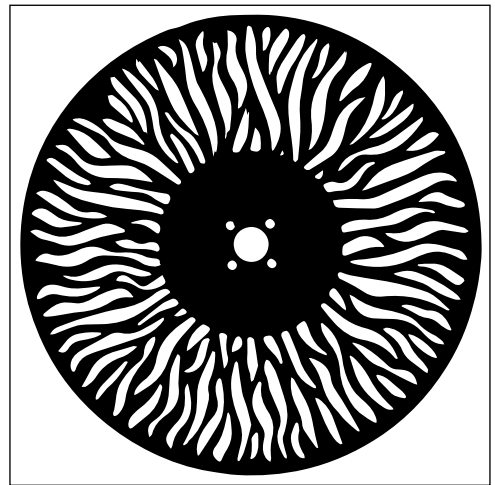
Shape	Interchangeable wedge
Materials	1.1 mm glass Borofloat

**Animation Wheel Details**

Movement	Bi-directional continuous rotation
Materials	0.6 mm aluminum

	1 - Block Fan
	2 - Organic
	3 - Quadrangles
	4 - Shower
	5 - Psych
	6 - StripeStrips
	7 - Tunnel

	1 - Red
	2 - Blue
	3 - Green
	4 - Yellow
	5 - Orange
	6 -Purple
	7- Dark Blue



PHOTOMETRIC INFORMATION

SolaFrame 750 - Ultra Bright

Mode	Degree	Candela	Field Lumens	Power Consumption	Lumens Per Watt
Narrow	7	752,800	9,500	270 W	35
Wide	50	13,100	11,300	270 W	42

Metric conversions: For meters, multiply feet by 0.3048  
For lux, multiply footcandles by 10.76

NARROW ZOOM - 7°

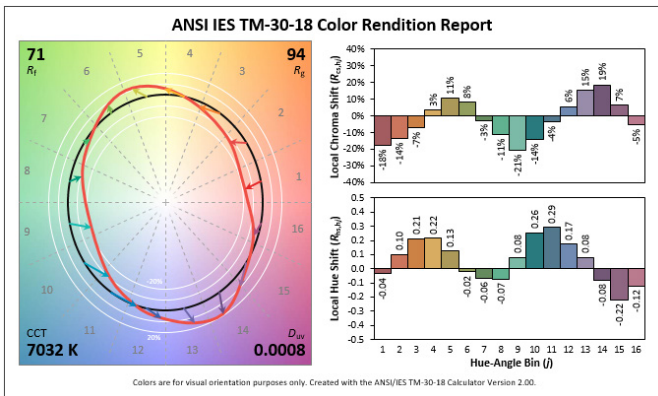
Throw Distance (d)	10 ft	20 ft	30 ft	50 ft	200 ft
	3.0 m	6.1 m	9.1 m	15.2 m	61 m
Field Diameter	1.2 ft	2.4 ft	3.7 ft	6.1 ft	24.5 ft
	0.38 m	0.75 m	1.12 m	1.87 m	7.46 m
Illuminance (fc)	7,528	1,882	837	302	19
Illuminance (lux)	80,994	20,249	8,999	3,240	202

WIDE ZOOM - 50°

Throw Distance (d)	10 ft	20 ft	30 ft	50 ft	200 ft
	3.0 m	6.1 m	9.1 m	15.2 m	61 m
Field Diameter	9.3 ft	18.7 ft	28.0 ft	46.6 ft	186.5 ft
	2.85 m	5.69 m	8.53 m	14.22 m	56.86 m
Illuminance (fc)	131	33	15	6	1
Illuminance (lux)	1,400	350	156	56	4

To determine center beam illumination in footcandles at any throw distance, divide candela by the throw distance squared

Ultra-Bright Engine



Additional Color Metrics

	SolaFrame 750 Ultra-Bright Engine
CRI $R_a$ ( $R_g$ )	72 (-20)
TLCI	48

SolaFrame 750 - High CRI

Mode	Degree	Candela	Field Lumens	Power Consumption	Lumens Per Watt
Narrow	7	602,200	7,600	270 W	28
Wide	50	10,500	9,000	270 W	34

Metric conversions: For meters, multiply feet by 0.3048  
For lux, multiply footcandles by 10.76

NARROW ZOOM - 7°

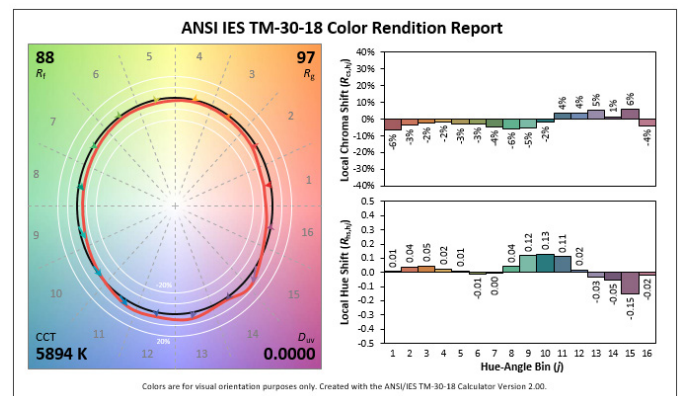
Throw Distance (d)	10 ft	20 ft	30 ft	50 ft	200 ft
	3.0 m	6.1 m	9.1 m	15.2 m	61 m
Field Diameter	1.2 ft	2.4 ft	3.7 ft	6.1 ft	24.5 ft
	0.38 m	0.75 m	1.12 m	1.87 m	7.46 m
Illuminance (fc)	6,022	1,506	670	241	16
Illuminance (lux)	64,795	16,199	7,199	2,592	162

WIDE ZOOM - 50°

Throw Distance (d)	10 ft	20 ft	30 ft	50 ft	200 ft
	3.0 m	6.1 m	9.1 m	15.2 m	61 m
Field Diameter	9.3 ft	18.7 ft	28.0 ft	46.6 ft	186.5 ft
	2.85 m	5.69 m	8.53 m	14.22 m	56.86 m
Illuminance (fc)	105	27	12	5	1
Illuminance (lux)	1,120	280	124	45	3

To determine center beam illumination in footcandles at any throw distance, divide candela by the throw distance squared

High CRI Engine



Additional Color Metrics

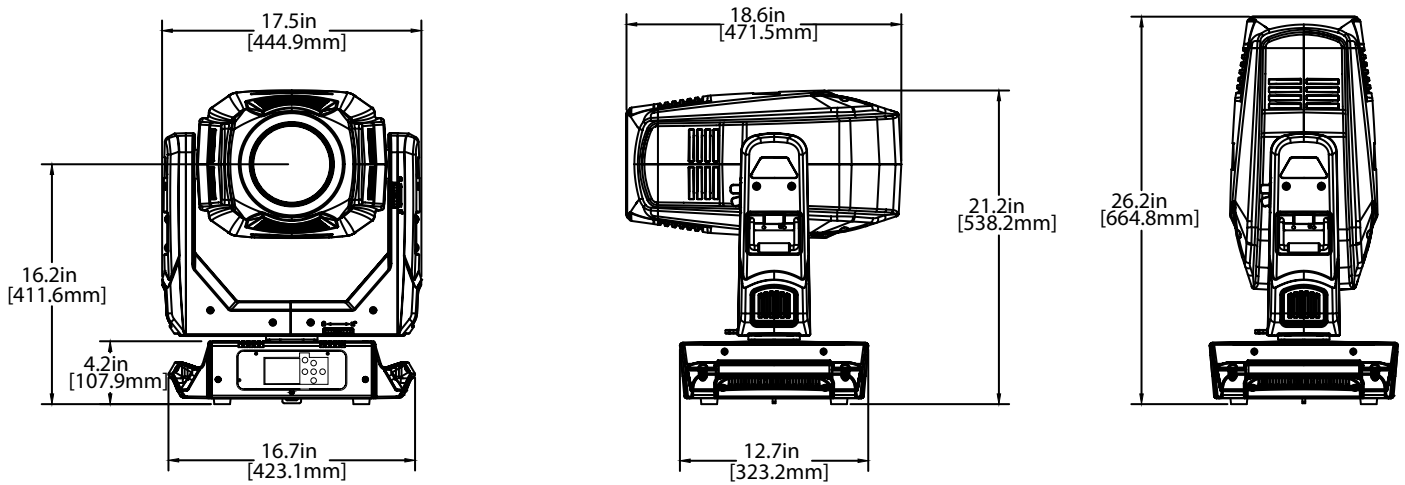
	SolaFrame 750 High CRI Engine
CRI $R_a$ ( $R_g$ )	91 (61)
TLCI	89

PHYSICAL INFORMATION

SolaFrame 750 Dimensions

Model	Height		Width		Depth		Weight	
	in	mm	in	mm	in	mm	lb	kg
SolaFrame 750*	26.2	664.8	17.5	444.9	12.7	323.2	63	28.6
SolaFrame 750 in Box	21	533	16	406	32	813	93	42.2

\*Does not include mounting hardware



SolaFrame 750 Power Table

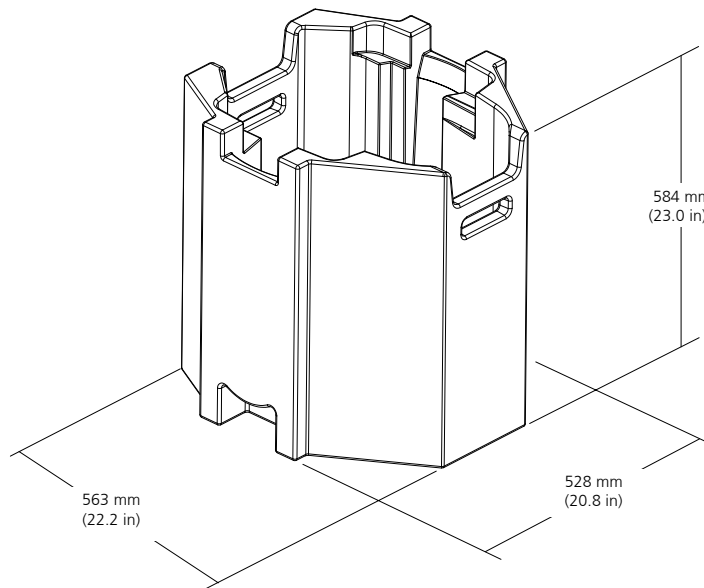
VAC	Amps	Hz	Watts	VA	PF
100	5.62	50	562	578	0.99
120	4.52	60	542	558	0.99
200	2.70	50	540	531	0.98
208	2.56	60	532	539	0.98
220	2.43	50	535	536	0.98
230	2.34	50	539	537	0.98
240	2.26	60	543	537	0.98

ADDITIONAL ORDERING INFORMATION

**Additional Accessories**

Model	Description
2560A2030	Optional TM-30 filter (not installed)
2560A2022	Optional Five Facet Prism Accessory (not installed)

**Molded Rubber Insert Dimensions**



\*For Road Case consideration the metal base on the SolaFrame 750 extends 13 mm (0.5 in) higher than the highest part of the Molded Insert.

**Molded Insert Features**

- Designed to fit in standard High End Systems dual roadcase
- Accessory storage in corner voids
- Also fits SolaFrame 1000, SolaSpot 1000, and SolaWash 1000
- For dimensions on alternative vertical molded insert designs, contact technical service



**Corporate Headquarters** • Middleton, WI USA  
**Global Offices** • London, UK • Rome, IT • Holzkirchen, DE • Paris, FR • Hong Kong • Dubai, UAE • Singapore • New York, NY • Orlando, FL • Los Angeles, CA  
 Copyright©2022 ETC. All Rights Reserved. All product information and specifications subject to change. Rev I 2022-10  
 Trademark and patent info: [etconnect.com/IP](http://etconnect.com/IP)

**etconnect.com**