

Irideon Series

Type(s)  
Project  
Date  
Notes



GENERAL INFORMATION

Irideon FPZ with OneTrack adaptor not pictured

The Irideon FPZ is an LED framing projector with zoom optics that provides the highest quality beam, making it ideal for museums, lobbies, retail stores and more. A range of color temperature options from 2700 K to 5000 K make the FPZ well suited for any application, while track, canopy and portable mounting options provide the flexibility to meet any installation's needs. The superior quality zoom optics paired with three-plane shutters and a rotating barrel enable the FPZ to create a sharp or soft focused light in any shape you need. And when used with either glass or metal gobos, logos and designs look sharp and distinctive.

APPLICATIONS

- Museums
- Retail stores
- Restaurants
- Hospitality/Lobbies
- Theatres

FEATURES

- Rugged fixture body
- 25–50 degree zoom optics
- Uniquely efficient optical system
- Three-plane shutters
- DMX control with built-in intensity trim feature
- DALI or 0–10 V control option available for canopy version
- Dimming to less than 1% of maximum output
- Available in black, white and silver

POWER INPUT OPTIONS

MODEL	100–120 VAC	230–240 VAC	120–277 VAC
PORTABLE	X	X	
OneTrack by ETC	X		
DataTrack*	X	X	
CANOPY			X

ORDERING INFORMATION

Irideon FPZ

MODEL	COLOR TEMP	CRI	VOLTAGE	MOUNTING	CONTROL	COLOR
IRFPZ - Irideon FPZ	27 - 2700 K 30 - 3000 K 40 - 4000 K 50 - 5000 K	80 - Standard 90 - Gallery  -Gallery available with 2700 K and 3000 K options. -Standard available in 3000 K, 4000 K and 5000 K options	120 - 120 V 230 - 230 V	OT - OneTrack T - DataTrack / EUTRAC* C - Canopy P - Portable PU - Portable (UK 13 A Plug) PE - Portable (EU Schuko Plug)  -120-P comes with an Edison Plug	DMX - DMX DALI - DALI 010 - 0–10 V  -0–10 V only available with Canopy option -DALI only available in Canopy and 230V CE OneTrack	BLANK - Black 1 - White 5 - Silver 8 - Custom

To complete the form, simply select an option at the bottom of each column to populate the last row with your desired model number.

Color Options: Fixtures ship standard in black, silver or white. For additional colors please contact ETC.

\*Please use our new and improved OneTrack for all new installations. DataTrack luminaires are intended for legacy installations only.



## PRODUCT SPECIFICATIONS

## Source

LED details	Lumiled 1204HD
Max field lumens	1035
Lumens per watt	46.8
L70 rating (hours to 70% output)	46,000 hours

## Color

Colors used	White
Color temperature options	2700 K / 3000 K / 4000 K / 5000 K
Calibrated array	No
Red shift	No

## Optical

Beam angle range	25°–50°
Pattern projection	Yes
Pattern size	E (37.5 mm with a 25.4 mm image area)
Front magnetic media holder	Accommodates 66 mm (2.6 in) diameter color media, diffusion or glass with a maximum thickness of 1.75 mm
Camera flicker control/Hz range	1.2 kHz (standard) 25 kHz (DMX version only, set via RDM)
Notes	Projector-quality, high-contrast lenses Beam edge is continually adjustable hard to soft

## Electrical

Voltage range	100–120 V 50/60 Hz (Portable/Track) 230–240 V 50/60 Hz (Portable/Track) 120–277 V 50/60 Hz (Canopy)
Power cord length (portable variant only)	190 cm (75 in)
Control input options	DMX - Portable, 120V OneTrack, Canopy 0–10 V - Canopy only DALI - Canopy
Track adapter (Track variant only)	120 V - OneTrack or DataTrack 230 V - EUTRAC 3-circuit + Data bus
Wattage typical/standby	20 W typical, 24 W max
Inrush (first half-cycle) with DMX variant	120 V - 11 A 240 V - 24 A 277 V - 28 A
Inrush (first half-cycle) with 0–10V or DALI variant	120 V - 2 A 240 V - 5 A 277 V - 6 A
Fixtures per circuit with DMX variant	45 fixtures (R20 module or similar)
Fixtures per circuit with 0–10 V or DALI variant	90 fixtures (R20 module or similar)

## Control

Protocols	DMX - Portable, Track, Canopy 0–10 V - Canopy only DALI - Canopy
RDM configuration	Yes (DMX version only)
UI type	Rotary pots (DMX version only)
Local control	On Track and DMX Portable versions only

## Thermal

Ambient operating temp	0°–40° C (32°–104° F)
Fan (controllable)	No fan
dB range	N/A
BTUs/hour	68.24 typical, 81.88 max

## Physical

Materials	Die-cast aluminum (A380 grade)
Color options	Black, white, silver, or custom color
Mounting options	OneTrack, DataTrack, Portable, Canopy
IP rating	IP20
Weight	Track Mount: 1.93 kg (4.25 lb) Portable: 2.55 kg (5.62 lb) Canopy: 2.58 kg (5.70 lb)
Included accessories (portable only)	C-clamp (not included with CE version) E-size pattern holder Magnetic media holder
Included accessories (DMX canopy only)	Screw-terminal DMX connector kit E-size pattern holder Magnetic media holder
Notes	Tool-free beam adjustment Locking, full hard shutters in a tri-plane assembly Thermally insulated knobs and shutter handles

## Warranty

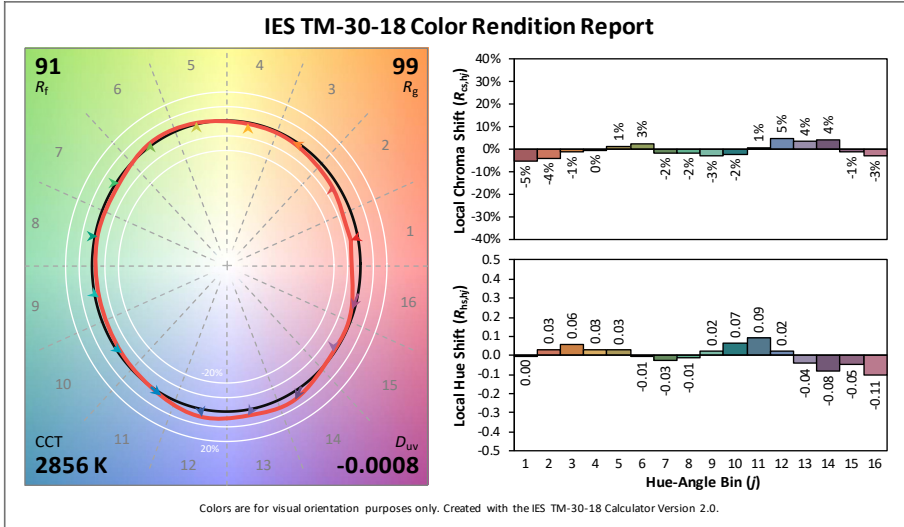
Fixture	5 years
LED array	10 years

## Approved Regulatory Standards

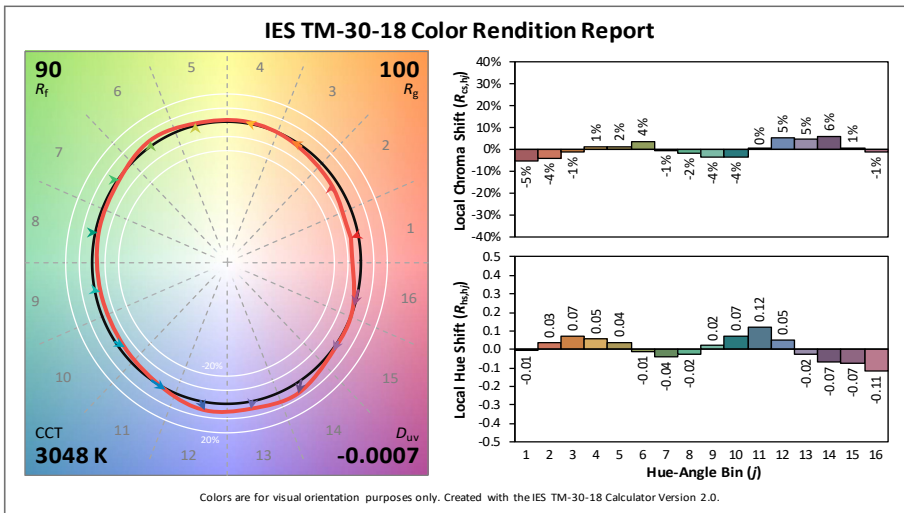
All versions	cETLus Listed CE Compliant UKCA Compliant
Portable version	Conforms to ANSI/UL STD.153 Certified to CSA STD. C22.2 No: 250.4
Track versions	Conforms to ANSI/UL STD.1574 Certified to CSA STD. C22.2 No: 9.0
Canopy version	Conforms to ANSI/UL STD.1598 Certified to CSA STD. C22.2 No: 250

COLOR METRIC INFORMATION

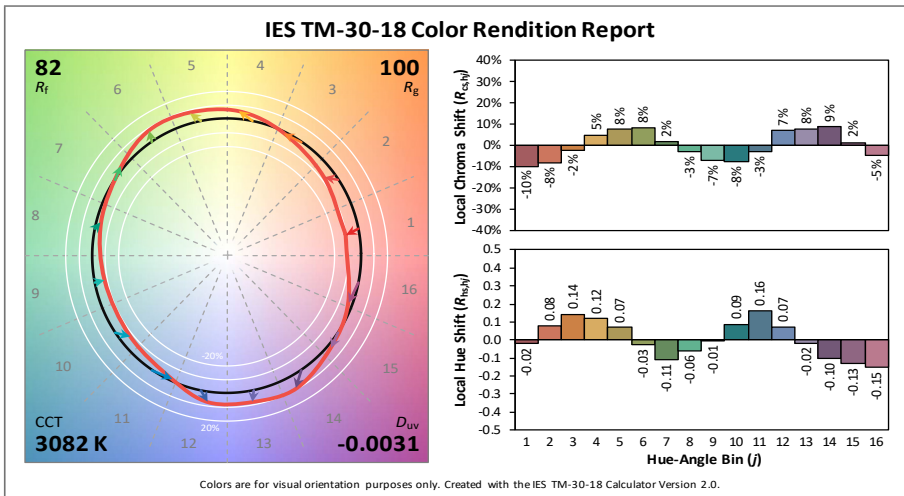
Irideon 2700 K Gallery (>90CRI) TM-30-18



Irideon 3000 K Gallery (>90CRI) TM-30-18

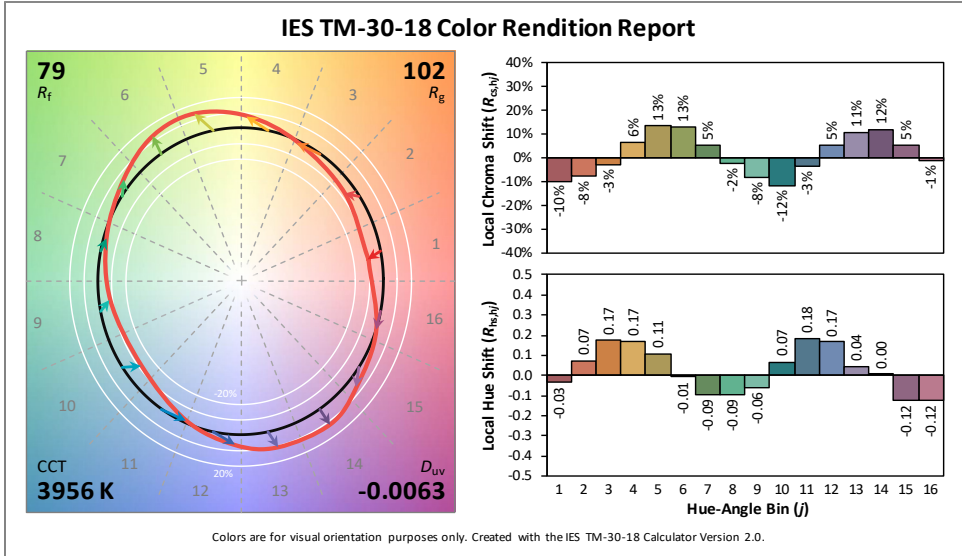


Irideon 3000 K (>80CRI) TM-30-18

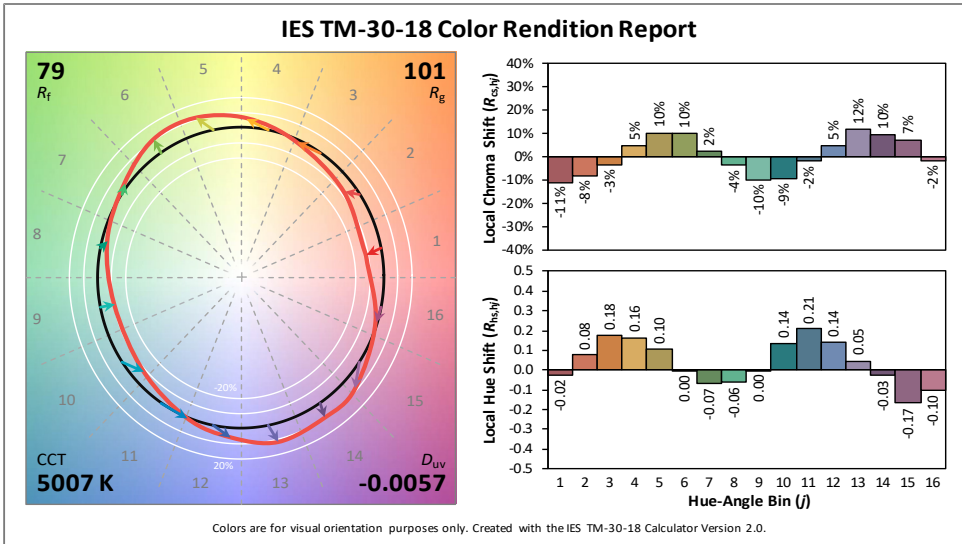


COLOR METRIC INFORMATION

Irideon 4000 K Gallery (>80CRI) TM-30-18



Irideon 5000 K Gallery (>80CRI) TM-30-18



## PHOTOMETRY

Array	Focus	Candela	Delivered Lumens	Field Lumens	Beam Lumens	Power Consumption	Efficacy (lpw)
2700 K / 90 CRI	Narrow	5,701	734	713	626	22.1	33.2
2700 K / 90 CRI	Middle	2,756	779	768	695	22.1	35.2
2700 K / 90 CRI	Wide	1,886	736	718	634	22.1	33.3

3000 K / 90 CRI	Narrow	6,500	837	813	714	22.1	37.9
3000 K / 90 CRI	Middle	3,140	887	875	792	22.1	40.1
3000 K / 90 CRI	Wide	2,160	838	818	713	22.1	37.9

3000 K / 80 CRI	Narrow	7,212	929	902	792	22.1	42.0
3000 K / 80 CRI	Middle	3,488	985	972	880	22.1	44.6
3000 K / 80 CRI	Wide	2,398	930	908	792	22.1	42.1

4000 K / 80 CRI	Narrow	7,164	923	896	787	22.1	41.8
4000 K / 80 CRI	Middle	3,463	978	965	874	22.1	44.3
4000 K / 80 CRI	Wide	2,383	925	902	789	22.1	41.9

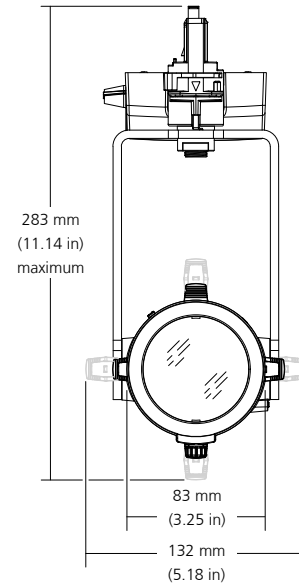
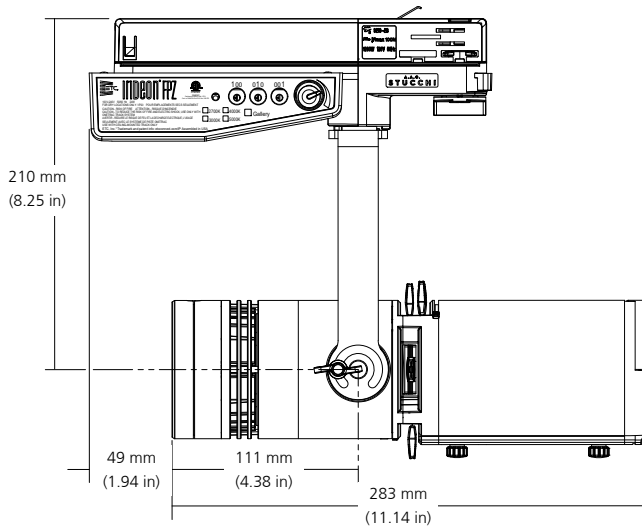
5000 K / 80 CRI	Narrow	7,580	976	948	833	22.1	44.2
5000 K / 80 CRI	Middle	3,664	1,035	1,021	924	22.1	46.8
5000 K / 80 CRI	Wide	2,445	976	954	846	22.1	44.2

PHYSICAL

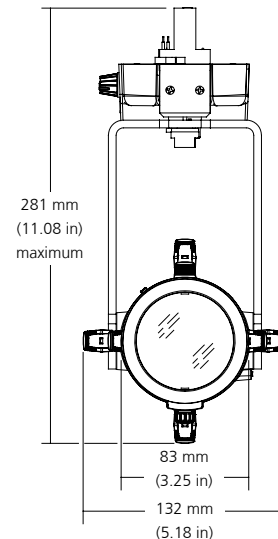
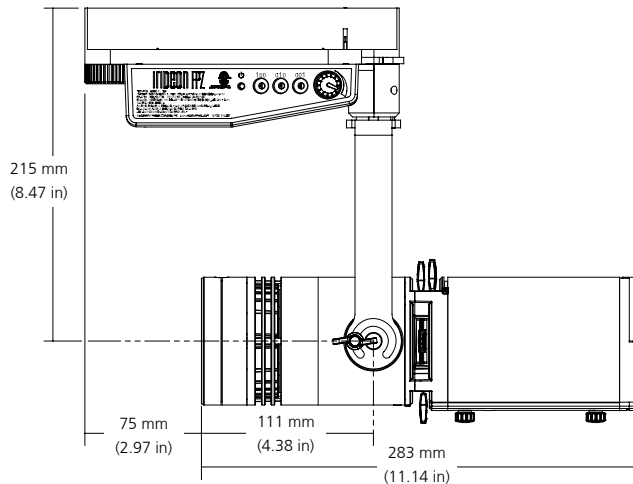
FPZ Dimensions

	HEIGHT		WIDTH		DEPTH		WEIGHT		SHIPPING WEIGHT	
	in	mm	in	mm	in	mm	lb	kg	lb	kg
OneTrack	11.14	283	5.18	132	14.11	358	4.25	1.93	6.25	2.83
DataTrack / EUTRAC Mount	11.08	281	5.18	132	14.11	358	4.25	1.93	6.25	2.83
Portable	13.62	346	5.18	132	11.14	283	5.62	2.55	7.41	3.36
Canopy	10.41	264	5.18	132	11.14	283	5.70	2.58	8.11	3.68

IRIDEON FPZ ONETRACK MOUNT

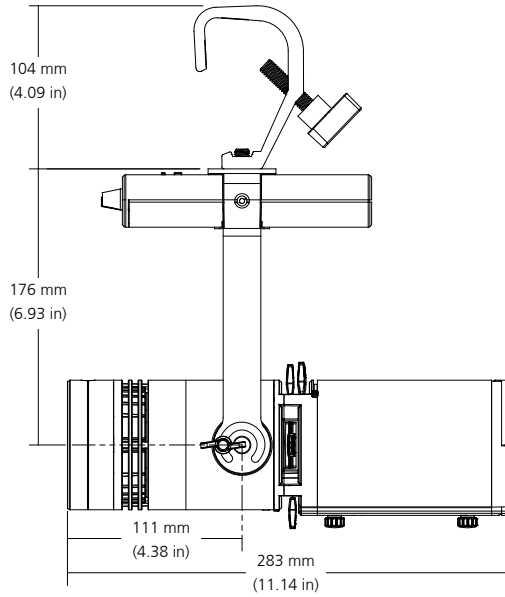


IRIDEON FPZ DATATRACK MOUNT

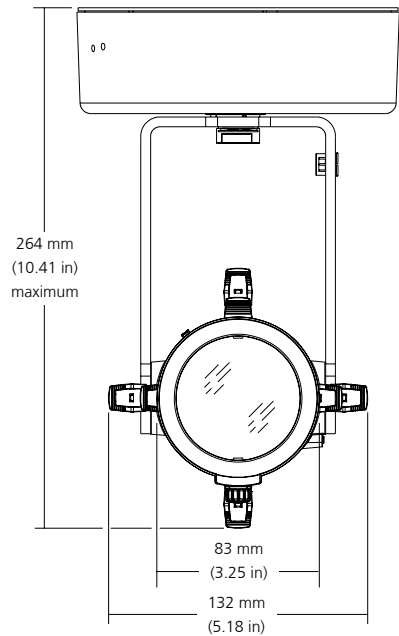
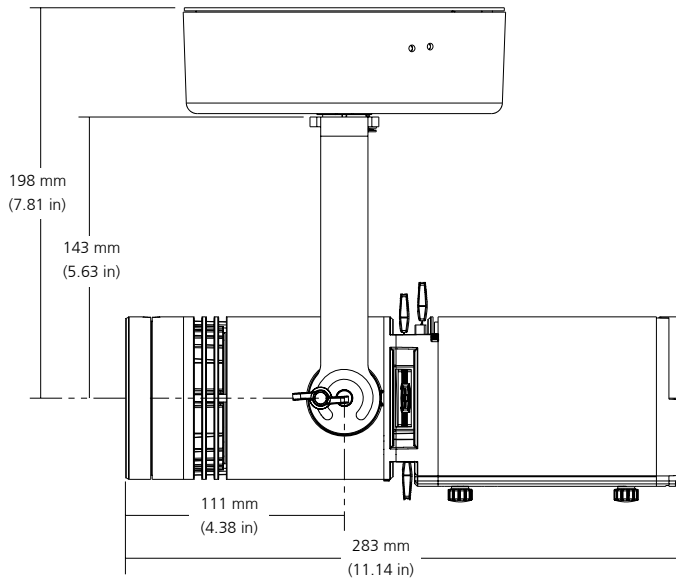


PHYSICAL

IRIDEON FPZ PORTABLE



IRIDEON FPZ CANOPY



Corporate Headquarters • Middleton, WI USA  
 Global Offices • London, UK • Rome, IT • Holzkirchen, DE • Paris, FR • Hong Kong  
 Dubai, UAE • Singapore • New York, NY • Orlando, FL • Los Angeles, CA • Austin, TX  
 ©2023 ETC. All Rights Reserved. All product information and specifications subject to change. Rev N 2023-06  
 \*Trademark and patent info: [etconnect.com/IP](http://etconnect.com/IP) • Third-party license agreement info: [etconnect.com/licenses](http://etconnect.com/licenses)