



Type(s)  
Project  
Date  
Notes

### GENERAL INFORMATION

The Response Show Control Gateways are a family of reliable, portable devices that let your Eos or Hog4 family console communicate with MIDI, SMPTE, Serial or other third party devices.

The Response MIDI Gateway can send and receive info in all flavors of MIDI: Note, Show Control (MSC), and Time Code (MTC). The Gateway also translates MIDI to and from UDP for ultimate integration with ETC and third-party products.

The Response SMPTE Gateway brings SMPTE LTC timecode signal to your Eos or Hog4 family console reliably to make sure everything stays on track. The Response Serial Gateway ensures reliable bi-directional RS-232 data communication for system integration.

The Response Analog IO Gateway is the ultimate integration aid. With 12 analog inputs and 12 relay outputs, it has the power to integrate with a large selection of devices using industry-standard protocols including UDP, ACN, and sACN. In addition to third-party integration it speaks natively to Eos consoles, Unison Paradigm, and Unison Mosaic control systems.

### APPLICATIONS

- Houses of worship
- High schools
- Community theatres
- Academic theatres
- Touring
- Tech table
- System integration
- Ideal for venues and applications with portable show control

### ORDERING INFORMATION

#### Response Show Control Gateways

MODEL	DESCRIPTION	PART NUMBER
RSN-MIDI-P	Response MIDI Gateway, Backpack Style	4267A1009
RSN-MIDI-RM	Response MIDI Gateway, Rack-Mount Style	4267A1008
RSN-SMPTE-P	Response SMPTE Gateway, Backpack Style	4267A1007
RSN-SMPTE-RM	Response SMPTE Gateway, Rack-Mount Style	4267A1006
RSN-SERIAL-P	Response Serial Gateway, Backpack Style	4267A1011
RSN-SERIAL-RM	Response Serial Gateway, Rack-Mount Style	4267A1013
RSN-IO-RM	Response Analog IO Gateway, Rack-Mount Style	4267A1016

#### Response Show Control Accessories

MODEL	DESCRIPTION	PART NUMBER
N3GA-RM	Gateway Rack-Mount Kit	4260K1001
N3GA-HBU	Gateway Hanging-Bracket Kit with U-Bolt	4260K1005
PS-INTL <sup>1</sup>	Gateway Universal Power Supply for Analog I/O Gateway	PS406-F

<sup>1</sup> Includes plugs for United States/Japan, Europe, and Great Britain.



## SPECIFICATIONS

### FEATURES

- MIDI:
  - Supports Note, Show Control (MSC), and Time Code (MTC)
- SMPTE:
  - Supports SMPTE LTC
  - 3.5 mm (1/8 in) headphone jack adapter to XLR converter included with Backpack Style units
- Serial:
  - Supports bi-directional RS-232
- Analog IO:
  - 12 analog inputs and 12 relay outputs
  - Utilizes three different protocols: UDP, ACN, sACN
  - Wet or dry inputs
  - Normally open and normally closed relay outputs
- Supports ACN or UDP for network communication
- Onboard configuration using four-button interface
- Power and network status indicators
- Power over Ethernet (PoE)
- Compatible with Concert software
- Compatible with Eos and ETCnomad software
- Compatible with UpdaterAto software
- MIDI and SMPTE compatible with Hog 4 software via USB

### FUNCTIONAL - MIDI

- Distributes MIDI over USB or Ethernet
- Supports Standard MIDI over USB device class
- Supports Net3/ACN (ANSI E1.17)
- Supports MIDI over UDP

### FUNCTIONAL - SMPTE

- Distributes SMPTE over USB or Ethernet
- Supports Net3/ACN (ANSI E1.17)
- Supports SMPTE over UDP

### FUNCTIONAL - SERIAL

- Distributes Serial over USB or Ethernet
- Supports Net3/ACN (ANSI E1.17)
- Supports Serial over UDP
- Supports standard USB Serial Port Emulation Class

### MECHANICAL

- Finished in fine-textured, powder-coat paint with matching overlay
- SMPTE - 3-Pin XLR Socket Connector
- MIDI - 5-Pin DIN Connector In/Out/Thru ports
- Serial - 9-Pin D-sub Connector
- RJ45 Port for connection to lighting network
  - Configurable on rack-mount units
- Type B USB socket connection (MIDI, SMPTE, Serial)
- Intuitive four-button interface
- Onboard display for identification, status and configuration
- Status and activity indicators
  - Blue power indicator
  - Green network activity indicator
  - Red/Green USB activity indicator

### ELECTRICAL

- MIDI, SMPTE, Serial:
  - 5 V USB power
- Analog IO:
  - Optional 12–24 VDC power input for use with non-PoE systems
  - Maximum 7 W current draw at 12-24 V
- RJ45 connector compliant with IEEE 802.3i for 10BASE-T, 802.3u for 100BASE-TX and 802.3af for Power over Ethernet

### ANALOG INPUTS (ANALOG IO ONLY)

- Two pluggable rising clamp screw terminal connectors with 6 analog inputs per terminal
  - Terminal connectors support in and common per input
  - Analog inputs can sense between 0–10 V (10 V, 100 mA per gateway utility supply provided)
  - Wet or dry contact closure per input

### CONTACT OUTPUTS (ANALOG IO ONLY)

- Three pluggable rising clamp screw terminal connectors with 4 relay outputs per terminal
  - Normally open "N.O.", normally closed "N.C.", and common "COM" connectors
  - Each output is rated for 0.5 A @ 30 VDC/VAC
- Pilot duty rated
- Single-pole double-throw relays

### THERMAL

- Ambient temperature: 0°–40° C (32°–104° F)
- Ambient humidity: 5–95% non-condensing

### REGULATORY AND COMPLIANCE

- cETLus Listed
- CE compliant
- UKCA compliant
- RoHS compliant
- WEEE

PHYSICAL - RACK-MOUNT STYLE

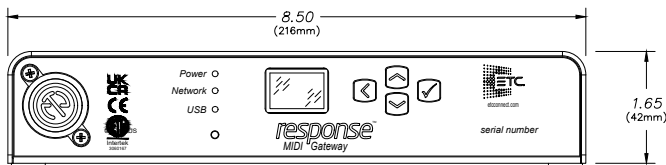
Response Show Control Gateway Dimensions

MODEL	HEIGHT		WIDTH		DEPTH	
	in	mm	in	mm	in	mm
RSN-MIDI-RM	1.65	42	8.50	216	7.50	191
RSN-SMPTE-RM	1.65	42	8.50	216	7.50	191
RSN-SERIAL-RM	1.65	42	8.50	216	7.50	191
RSN-IO-RM	1.65	42	8.50	216	7.50	191

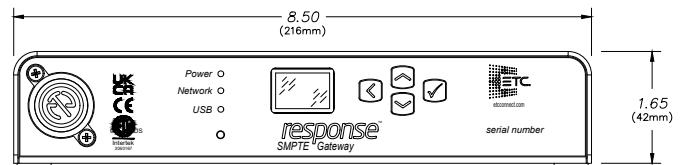
Show Control Gateway Weights

MODEL	WEIGHT		SHIPPING WEIGHT	
	lb	kg	lb	kg
RSN-MIDI-RM	1.75	0.79	3.5	1.59
RSN-SMPTE-RM	1.75	0.79	3.5	1.59
RSN-SERIAL-RM	1.75	0.79	3.5	1.59
RSN-IO-RM	1.75	0.79	3.5	1.59

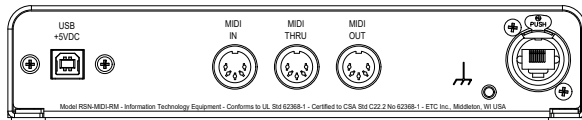
MIDI FRONT VIEW



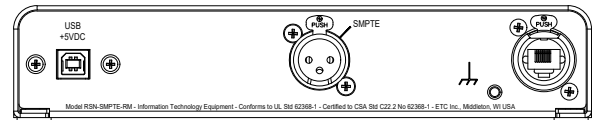
SMPTE FRONT VIEW



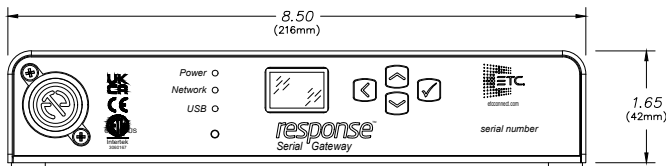
MIDI REAR VIEW



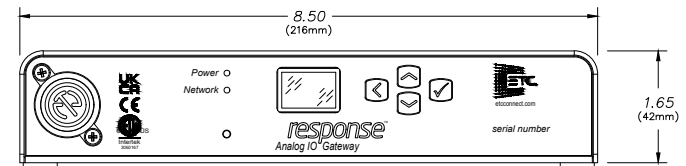
SMPTE REAR VIEW



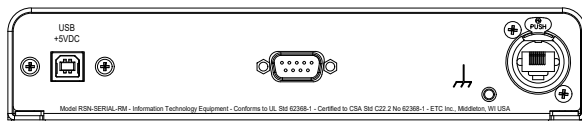
SERIAL FRONT VIEW



ANALOG IO FRONT VIEW



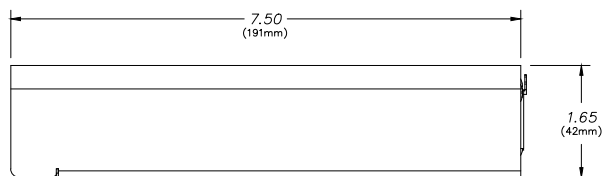
SERIAL REAR VIEW



ANALOG IO REAR VIEW



All GATEWAYS SIDE VIEW



PHYSICAL - BACKPACK STYLE

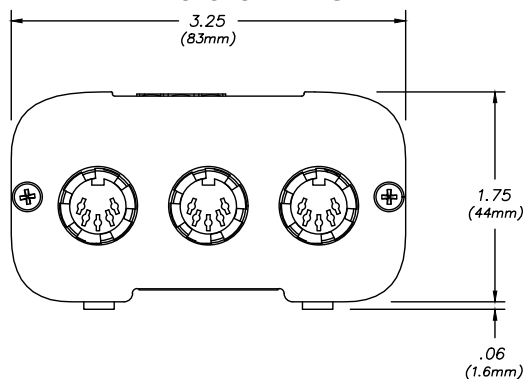
Response Show Control Gateway Dimensions

MODEL	HEIGHT		WIDTH		DEPTH	
	in	mm	in	mm	in	mm
RSN-MIDI-P	1.75	44	4.20	107	3.25	83
RSN-SMPTE-P	1.75	44	4.20	107	3.25	83
RSN-SERIAL-P	1.75	44	4.20	107	3.25	83

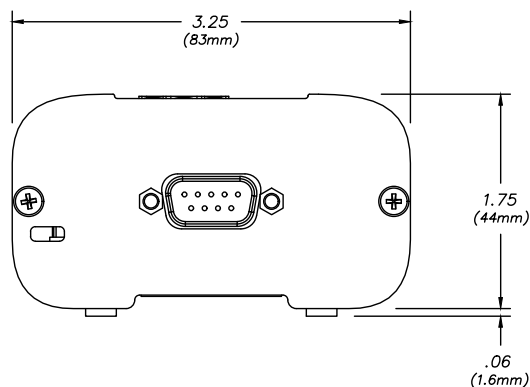
Show Control Gateway Weights

MODEL	WEIGHT		SHIPPING WEIGHT	
	lb	kg	lb	kg
RSN-MIDI-P	0.50	0.22	0.75	0.34
RSN-SMPTE-P	0.50	0.22	0.75	0.34
RSN-SERIAL-P	0.50	0.22	0.75	0.34

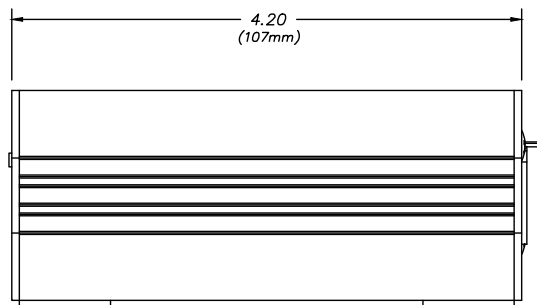
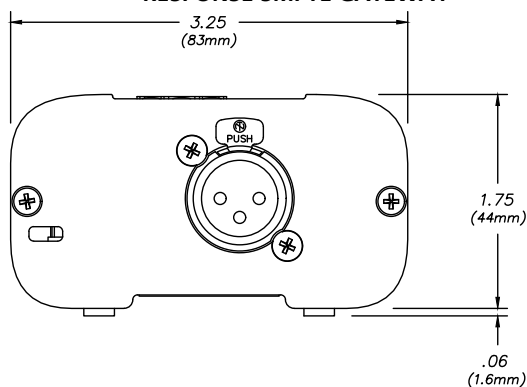
RESPONSE MIDI GATEWAY



RESPONSE SERIAL GATEWAY



RESPONSE SMPTE GATEWAY



Corporate Headquarters • Middleton, WI USA  
 Global Offices • London, UK • Rome, IT • Holzkirchen, DE • Paris, FR • Hong Kong  
 Dubai, UAE • Singapore • New York, NY • Orlando, FL • Los Angeles, CA • Austin, TX  
 ©2023 ETC. All Rights Reserved. All product information and specifications subject to change. Rev G 2023-10  
 \*Trademark and patent info: [etconnect.com/IP](http://etconnect.com/IP) • Third-party license agreement info: [etconnect.com/licenses](http://etconnect.com/licenses)