

# TORUS 8

Constant Curvature Array

## Rigging Manual



# TORUS



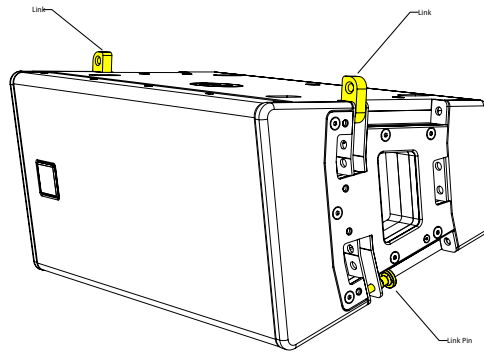
## Contents

Rigging .....	3
Cabinet Rigging Hardware .....	3
Flown Vertical Array .....	3
HF Left .....	3
HF Right .....	5
HRIG100 .....	7
Flown Arrays with SXCF115 .....	11
T8PB .....	19
POLERIG20.....	24
SBAR40 .....	26
GSRIG20 .....	28
Maintenance .....	34

### Rigging

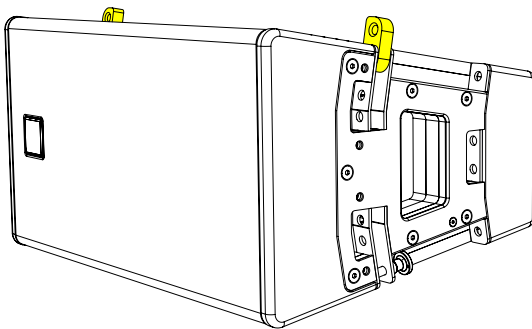
#### Cabinet Rigging Hardware

TORUS consists of a single point rigging system located on either side of the cabinet, all hardware is captive and can be stored conveniently for transportation.

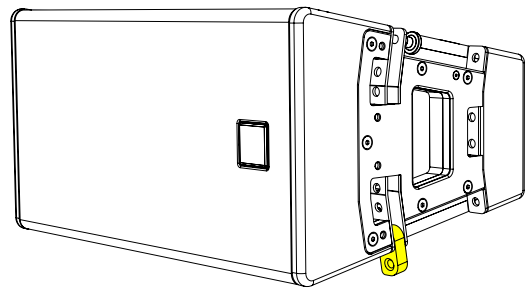


#### Flown Vertical Array

When flying TORUS vertically the HF horn can be positioned on the left or the right to create symmetrical system design.



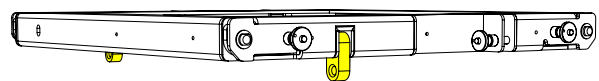
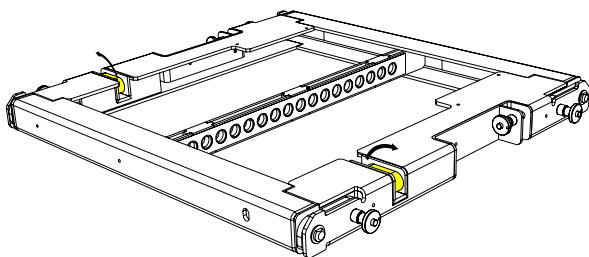
*Linking down – HF horn to the left*



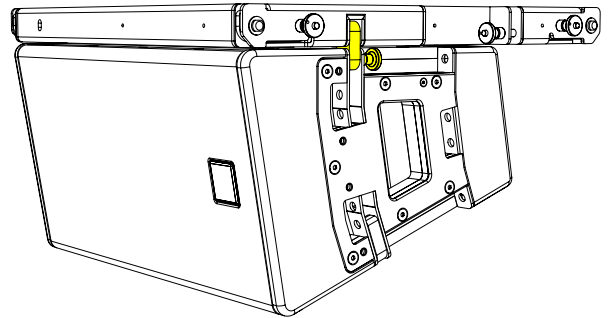
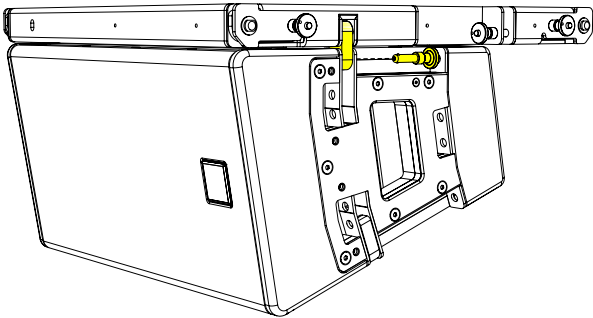
*Linking up – HF horn to the right*

#### HF Left

Release links from the stow position and rotate the T8 grid 180 degrees

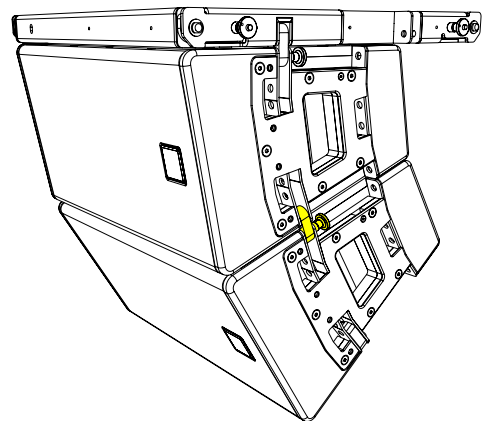
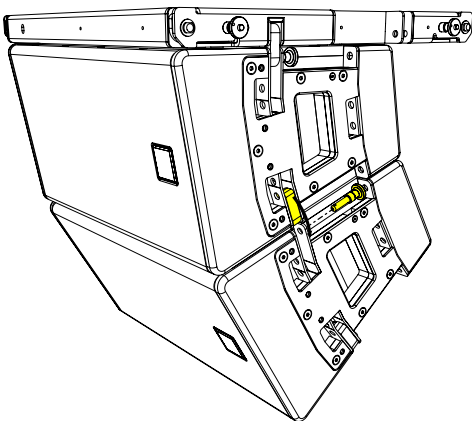


Position the T8GRID on top of the first TORUS 8 cabinet, locate the links and insert the rigging pins. Make sure the cabinet is secured on both sides before lifting.

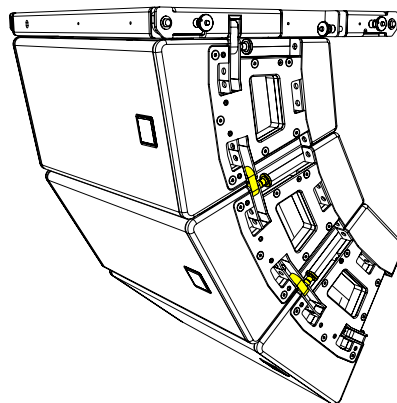


Lift the array to a height where the next cabinet can be positioned underneath. Either lift the cabinet into position or lower the array onto the cabinet below.

Remove the rigging pins from the cabinet above, rotate the links and insert the rigging pins to secure.



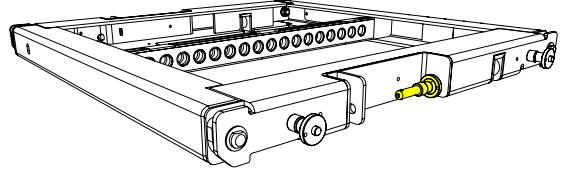
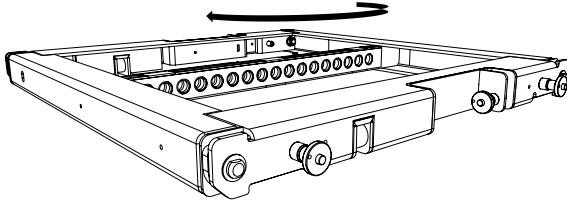
Repeat the process until the desired number of cabinets have been vertically arrayed. A maximum of 6 cabinets can be flown from the T8GRID in the vertical orientation.



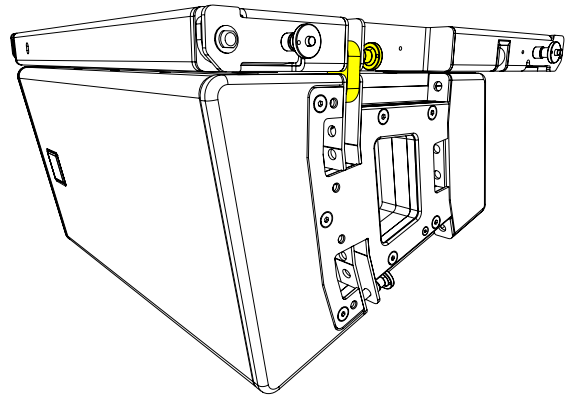
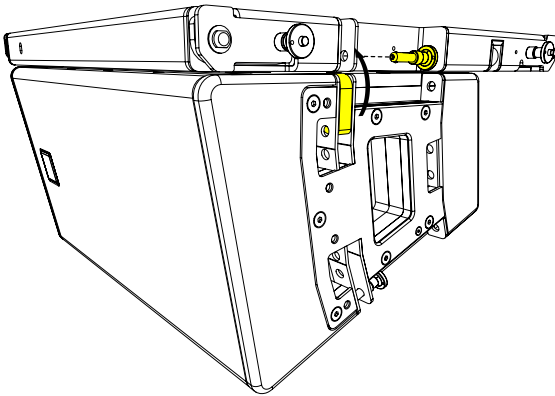


### HF Right

Rotate the T8GRID through 180° and release links from the stow position

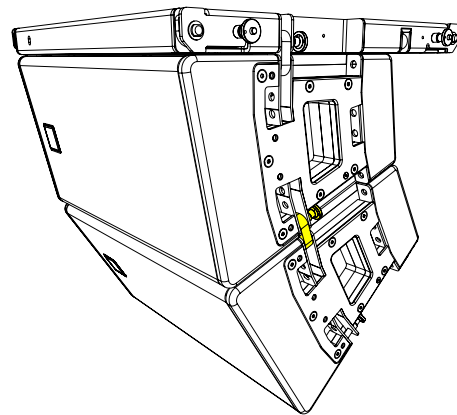
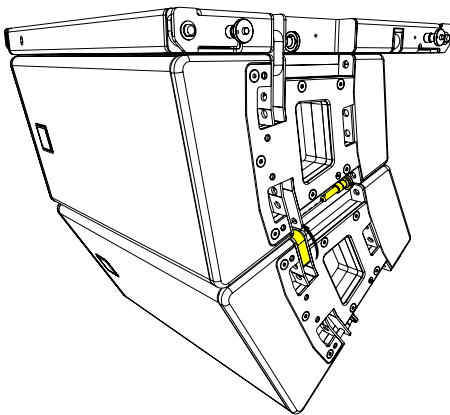


Position the T8GRID on top of the first TORUS 8 cabinet, rotate the links and insert the rigging pins. Make sure the cabinet is secured on both sides before lifting.

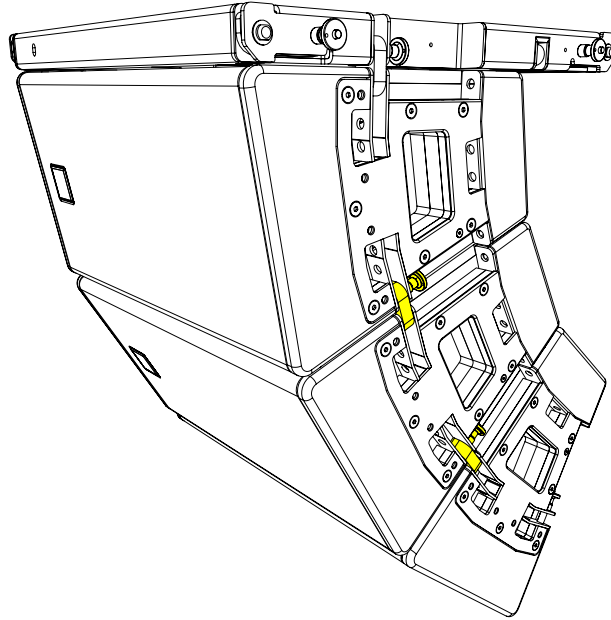


Lift the array to a height where the next cabinet can be positioned underneath. Either lift the cabinet into position or lower the array onto the cabinet below.

Remove the rigging pins from the cabinet below, rotate the links and insert the rigging pins to secure.



Repeat the process until the desired number of cabinets have been vertically arrayed. A maximum of 6 cabinets can be flown from the T8GRID in the vertical orientation.



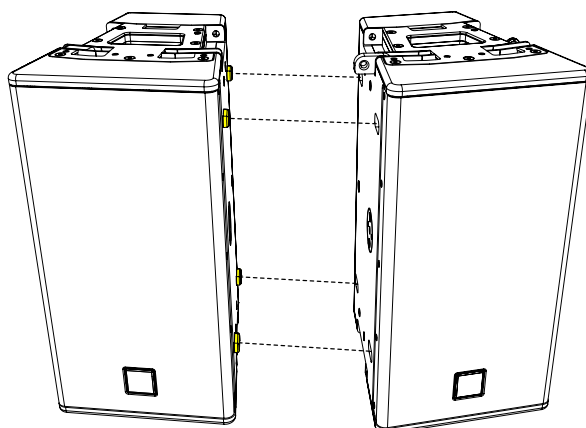
### HRIG100

The HRIG100 is a rigging accessory used to suspend TORUS in a horizontal configuration. The HRIG100 can be mounted to a cabinet or between two cabinets, given the best options to suspend multiple cabinets.

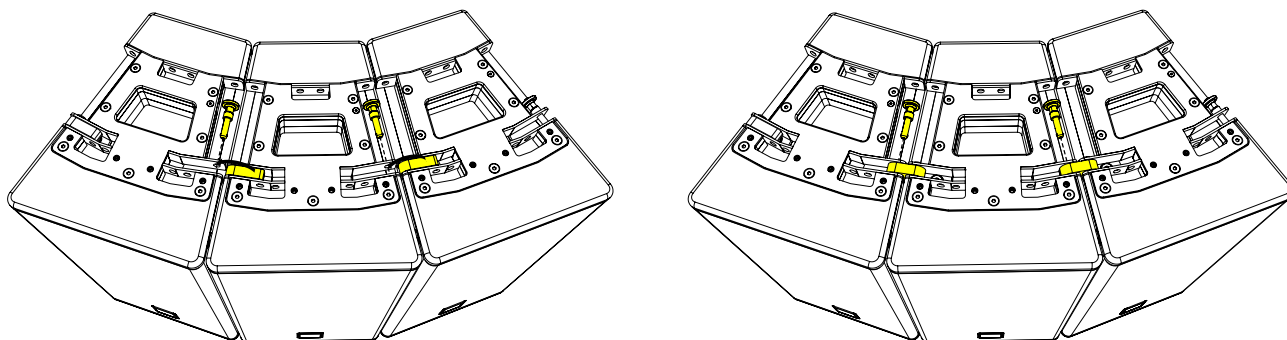
HRIG100 can be mounted on the top or bottom of the cabinet in portrait mode, this allows the HF horn to be positioned at the top or the bottom of the array.



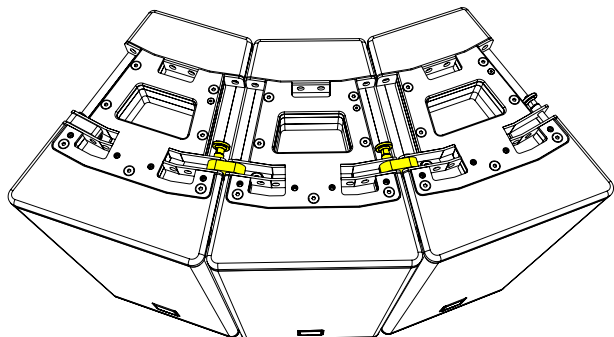
Link cabinets together by aligning the skids to the adjacent cabinet.



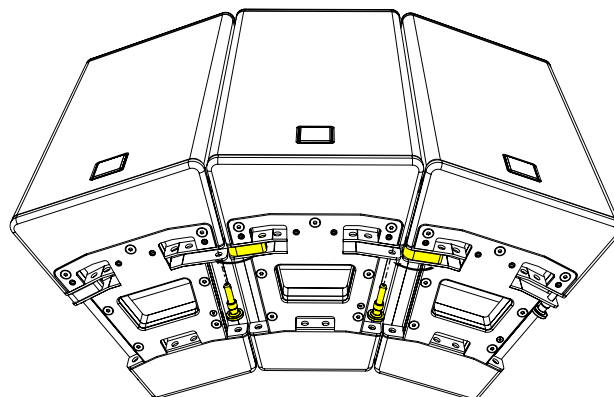
Remove pins and rotate the links on the top of the cabinets



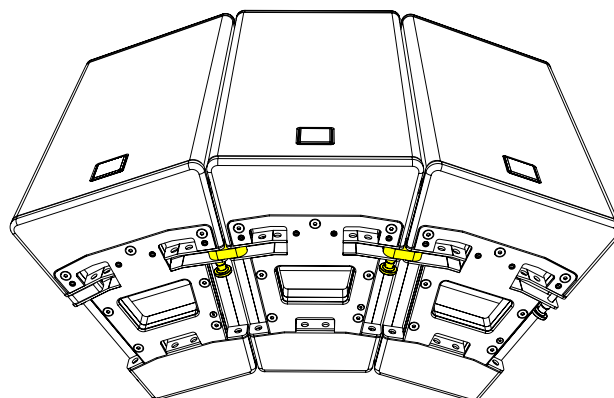
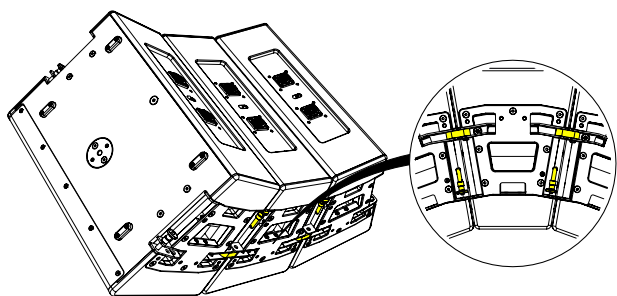
Replace the pins to lock the cabinets together



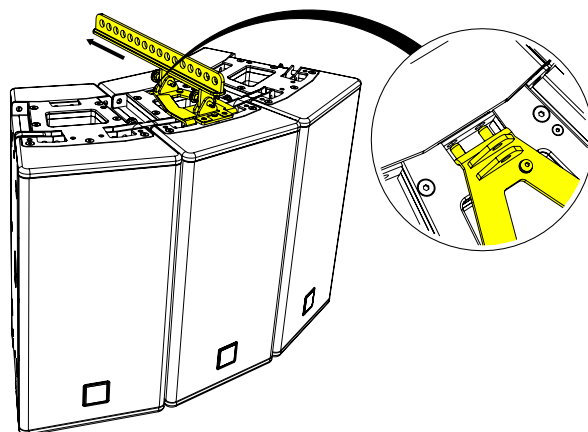
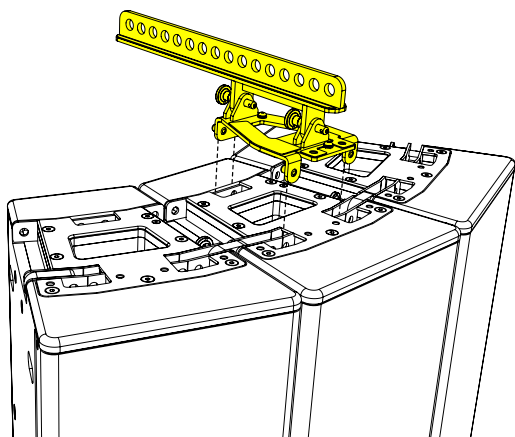
Tip the array and remove the rigging pins on the bottom of the array. Rotate the links into position.



Replace the pins to link the bottom of the cabinets together.

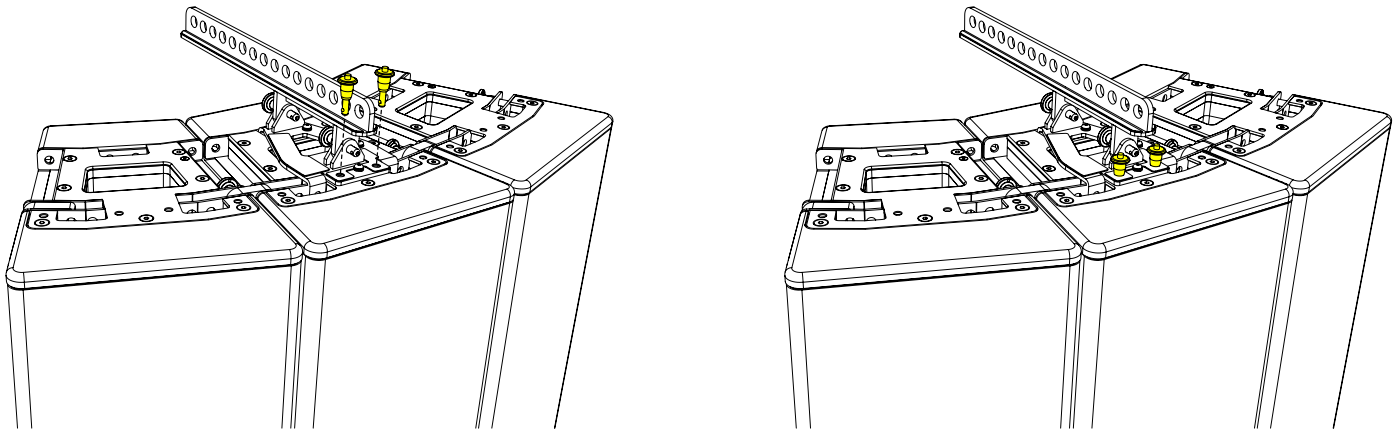


Attach the HRIG100 making sure all four pins (two back and two front) locate and lock into position

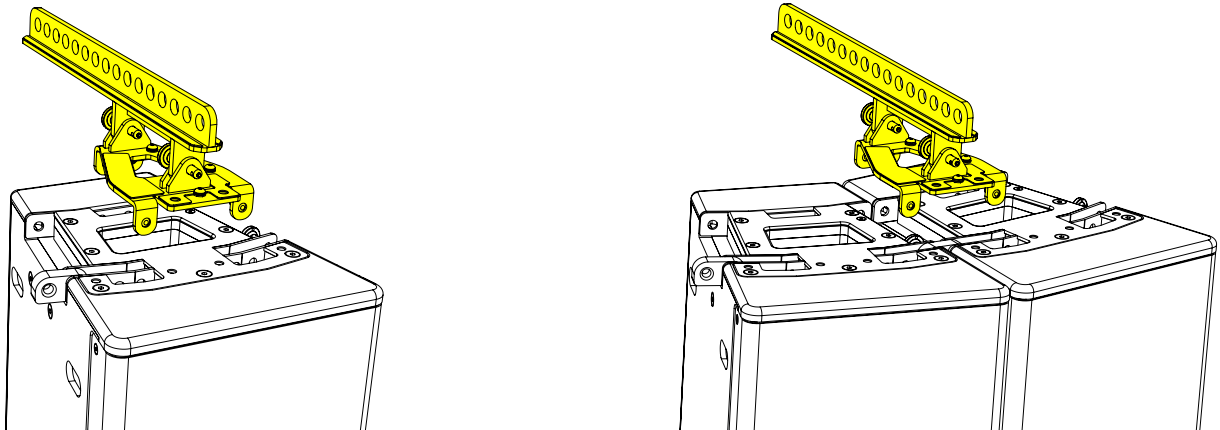


### WARNING !

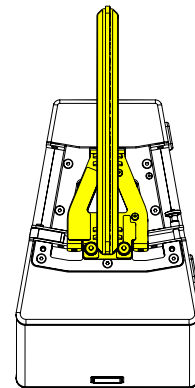
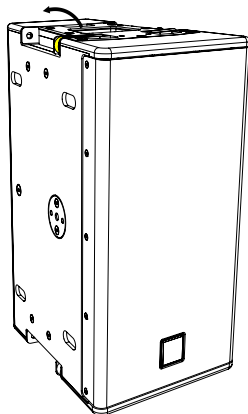
The HRIG100 is only secure when the two locking pins have been inserted and locked into place.



Two mounting options are available depending on the configuration. The T12HRIG can be mounted directly to a TORUS or between cabinets.

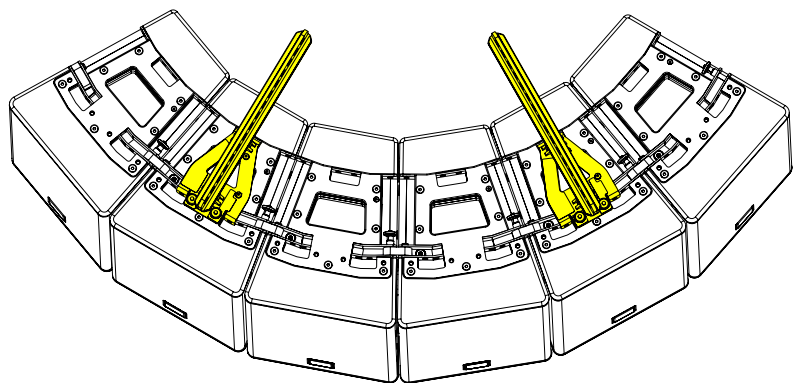
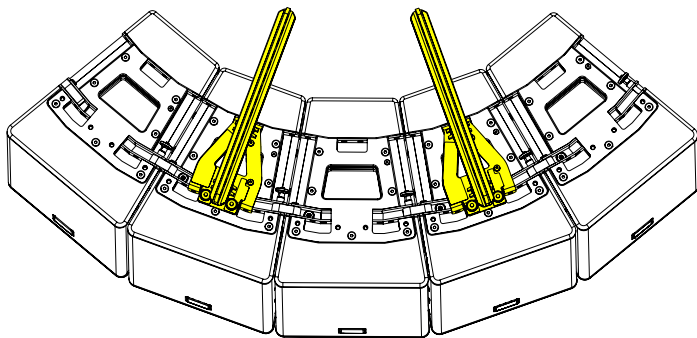
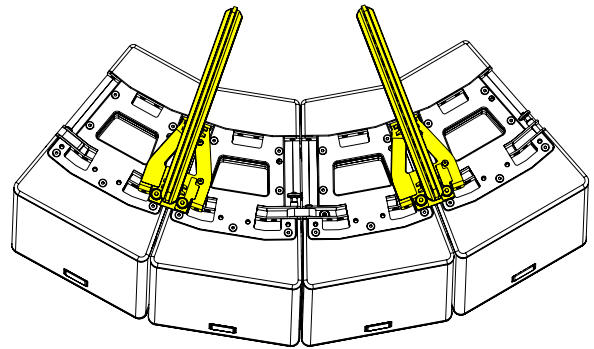
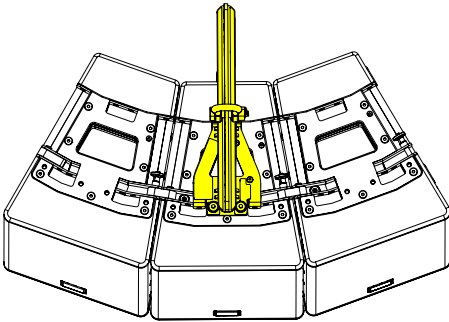
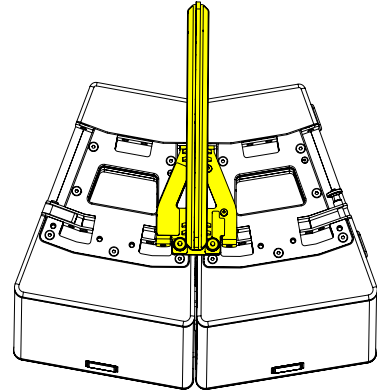
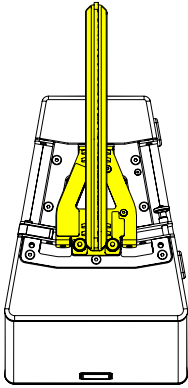


When connecting multiple TORUS together, the top link needs to be rotated before mounting the HRIG100 between two cabinets.



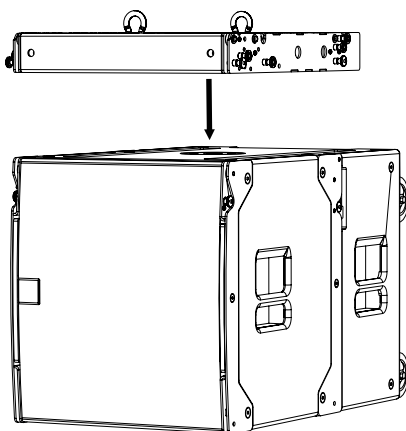


A maximum of 6 cabinets can be suspended using 2 HRIG100's. Below shows the number of HRIG100's that must be used for a given combination

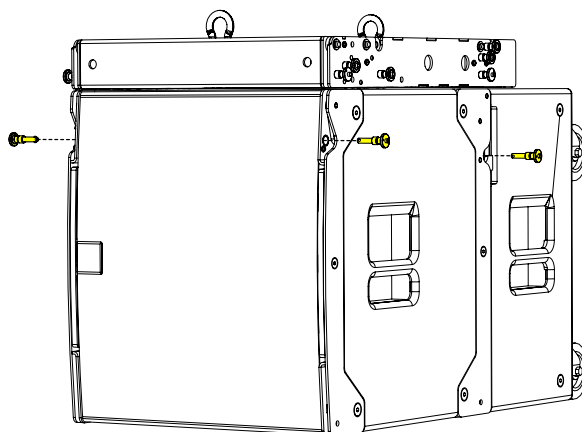


### Flown Arrays with SXCF115

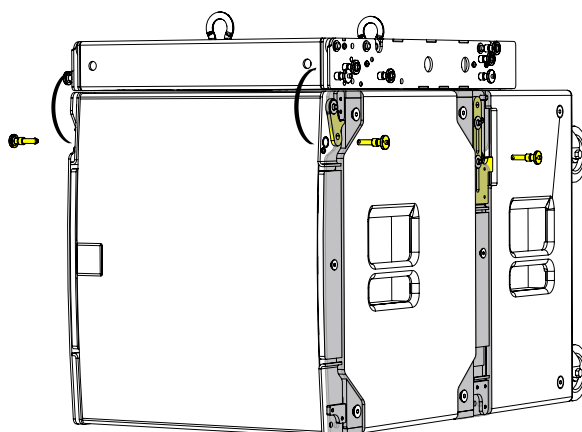
Position the WPMSXGRIDT on top of the SXCF115 cabinet



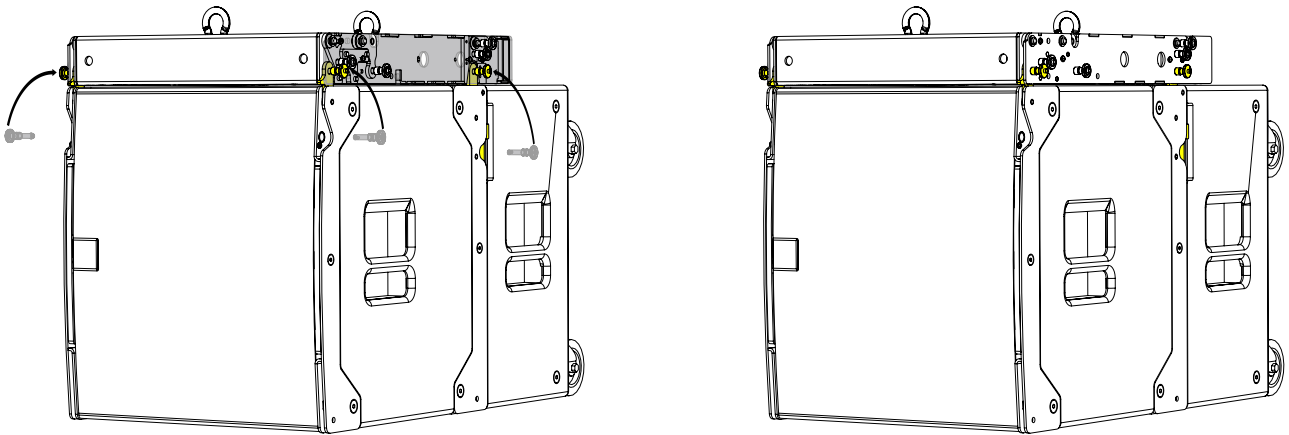
Remove the pins from the from SXCF115 to release the links.



Rotate the front links and lift the rear links to align with the pin holes in the WPMSXGRIDT.

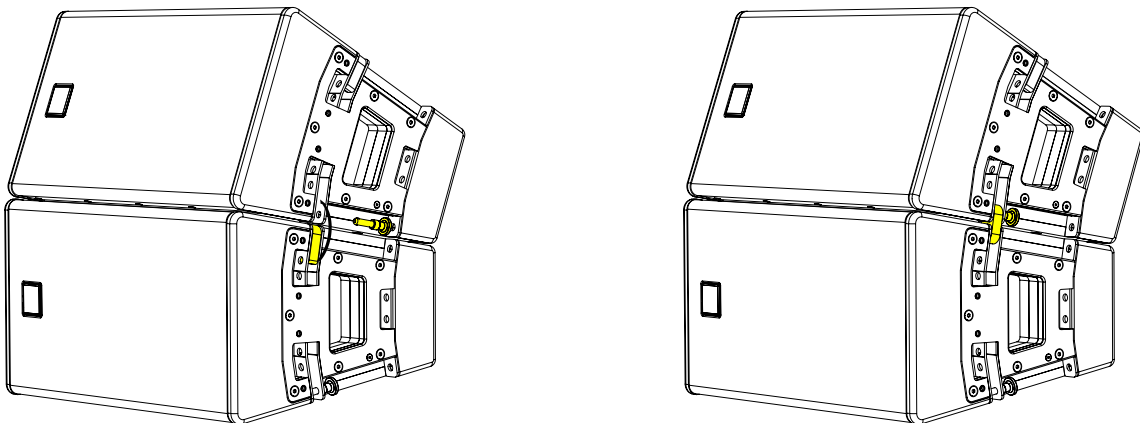


Replace the pins to link and lock the SXCF115 securely to the WPMGRIDT



Place cabinets on top of each other.

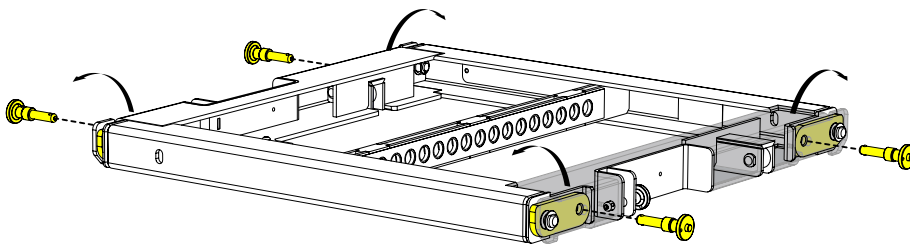
Remove the rigging pins from the cabinet above, rotate the links and insert the rigging pins to secure.



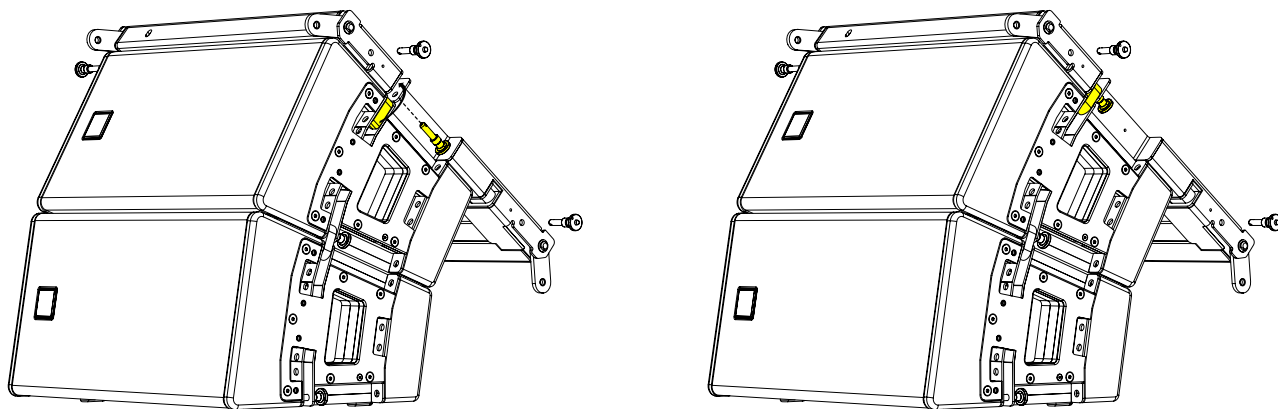
The T8GRID is also used as a conversion frame for the SXCF115 & T8 combined array.

*Horn Right*

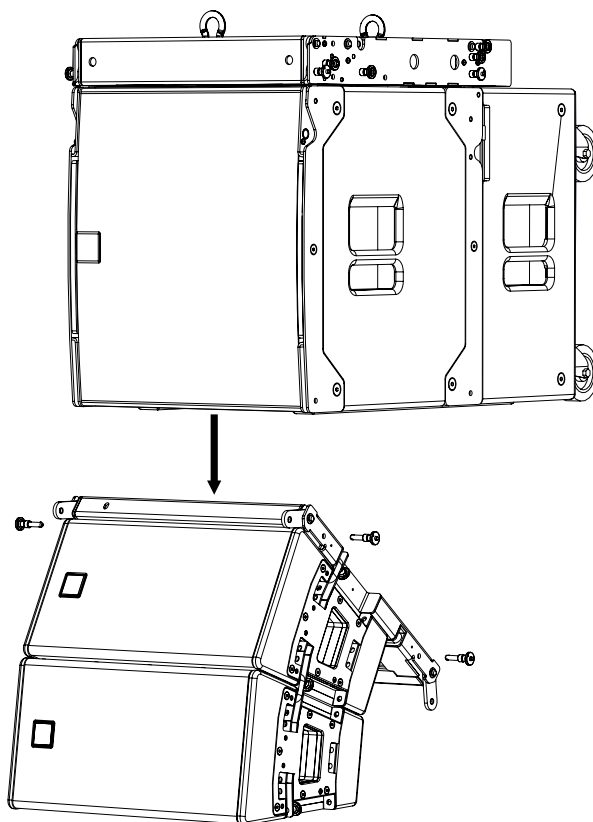
Remove the sub link pins and rotate the links



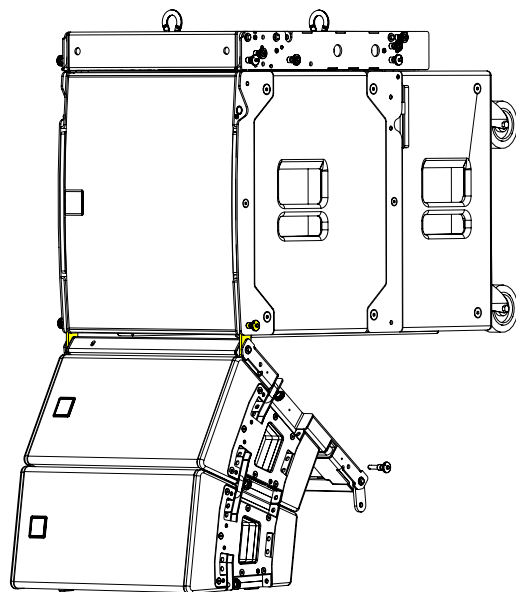
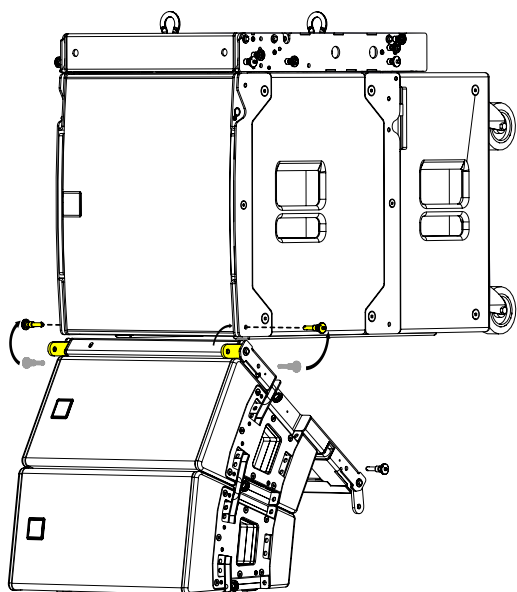
Place the T8GRID on top of the T8 cabinets, remove the link pins and rotate the T8 links. Replace the pins to lock the grid into position



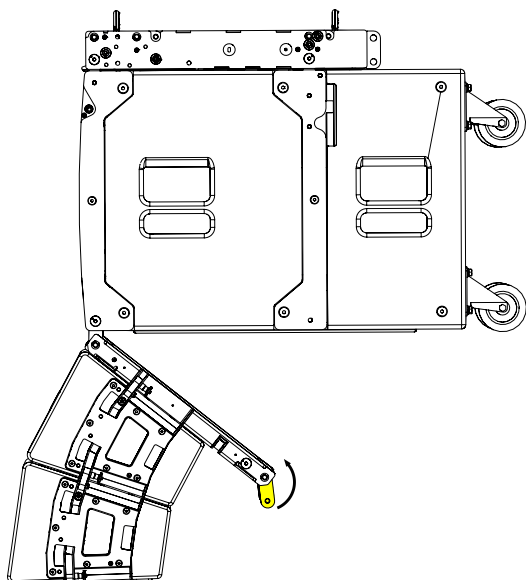
Position the T8 cabinets below the SXCF115 and lower the SXCF115 to connect the front links.



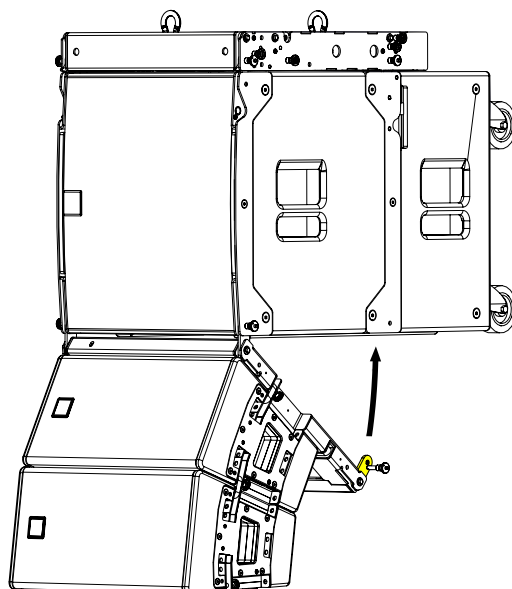
Rotate the front T8GRID sub links and connect to the front of the SXCF115 using the front rigging pins from the T8GRID



Rotate the rear T8GRID sub links

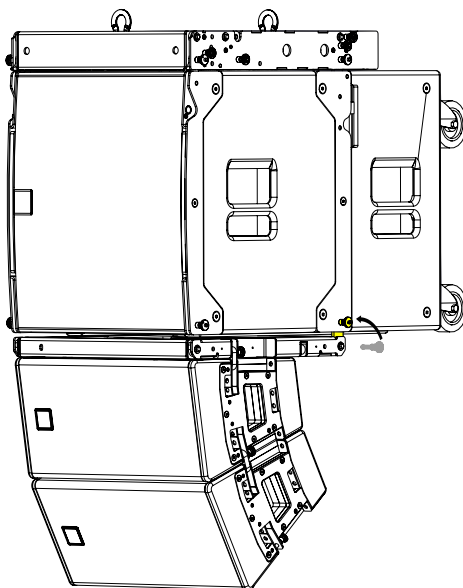


Swing the rear of the T8GRID to align the rear links





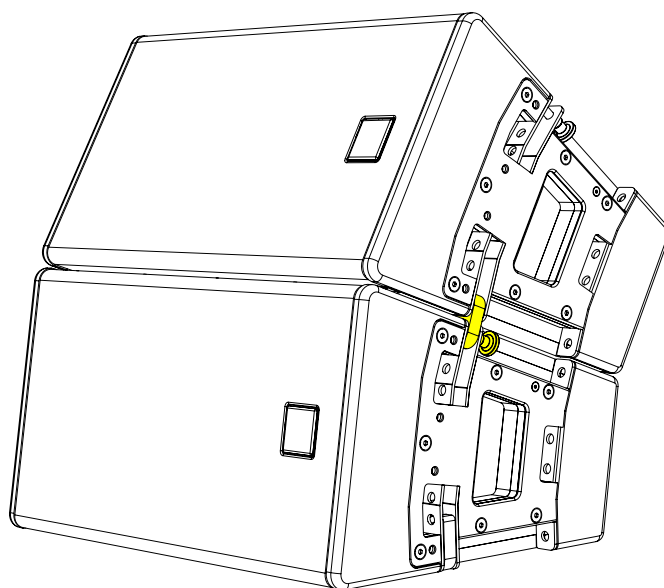
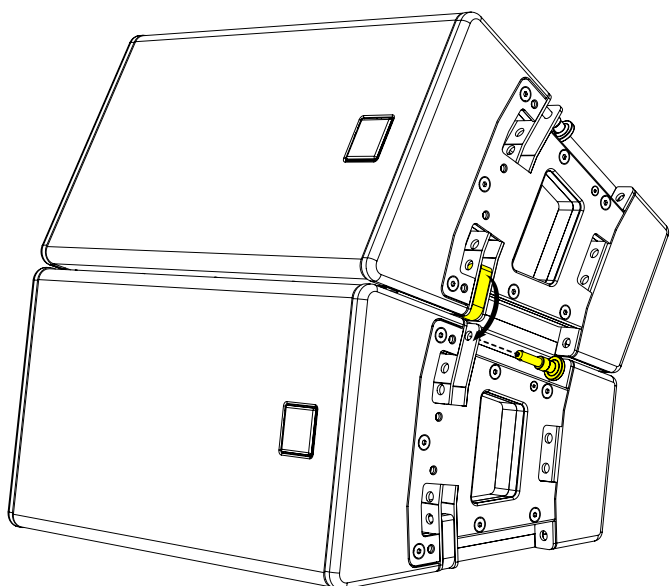
Connect to the rear of the SXCF115 using the rear rigging pins from the T8GRID



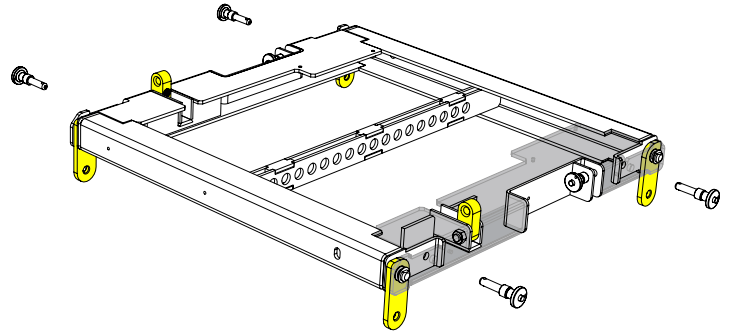
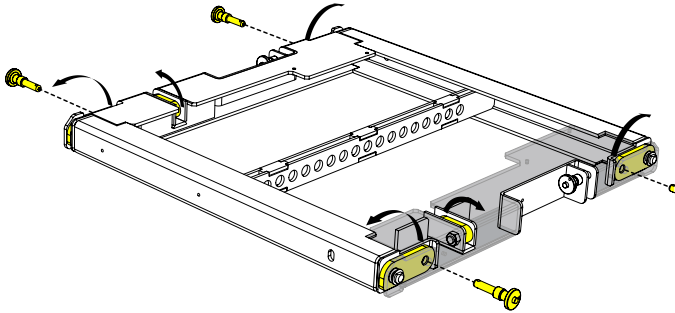
### *Horn left*

Place cabinets on top of each other.

Remove the rigging pins from the cabinet below, rotate the links and insert the rigging pins to secure.

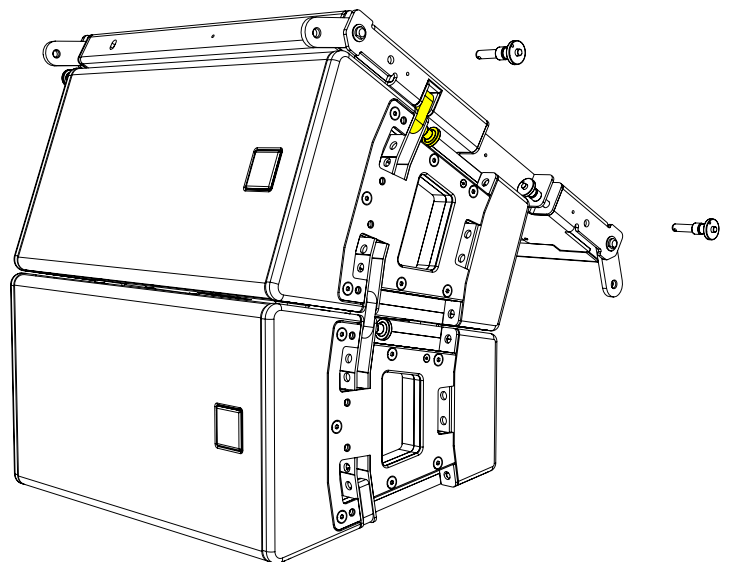
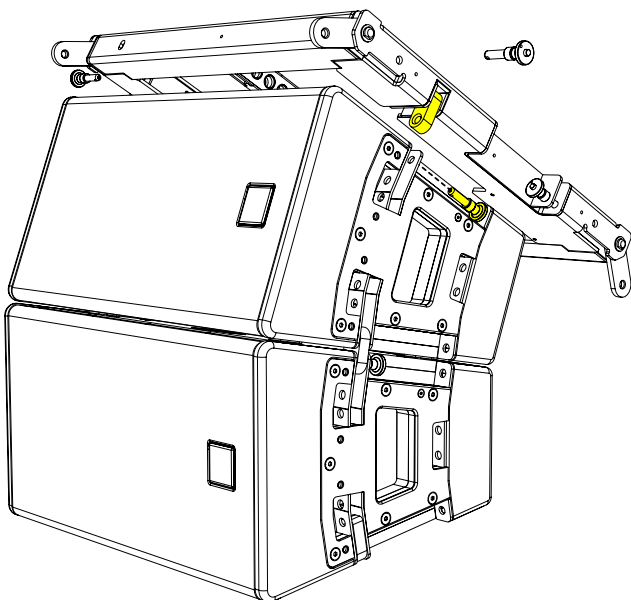


Remove the link pins and rotate the links. Links for T8 are held by a magnet, make sure they are moved from the stow position before attaching to the T8 array

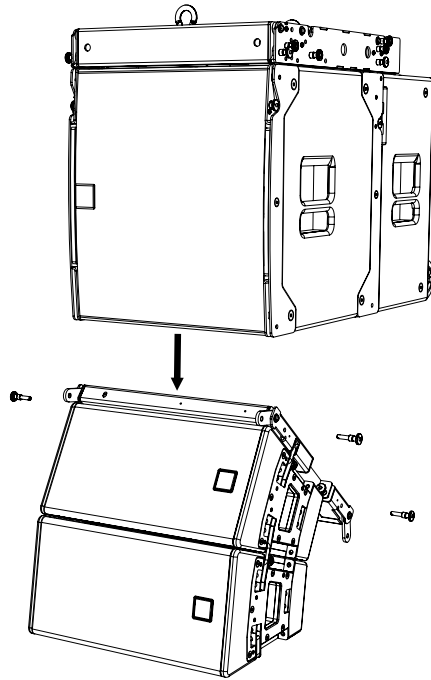


Rotate the T8GRID through 180° and place on top of the T8 cabinets. Remove the link pins from the cabinet.

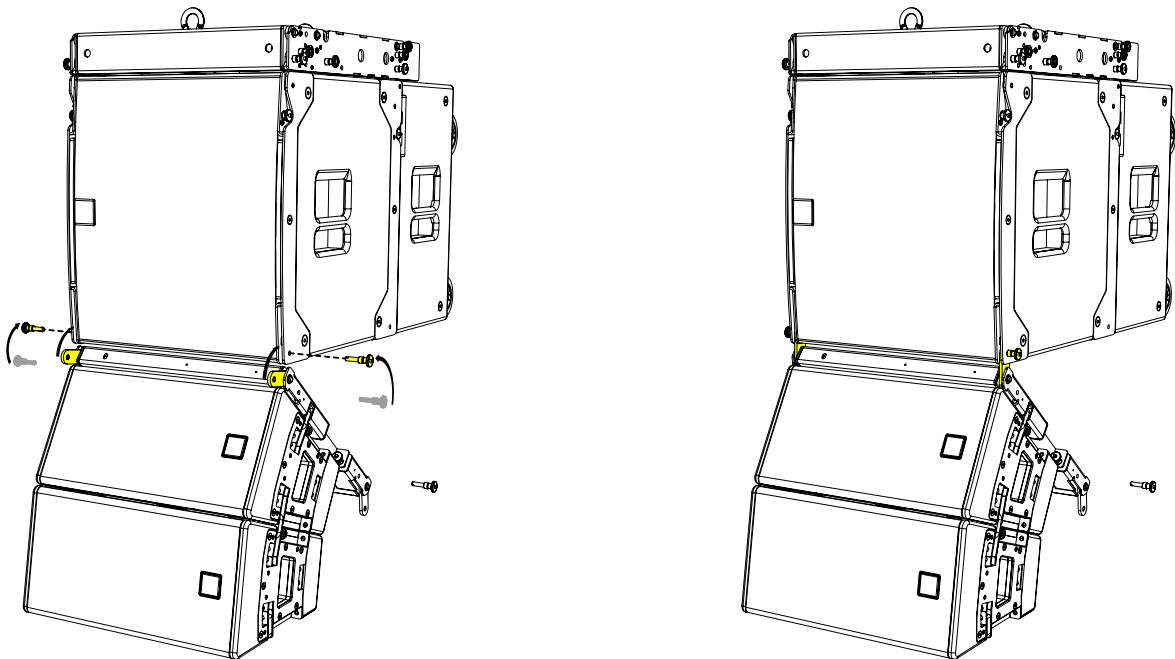
Replace the pins to lock the grid into position



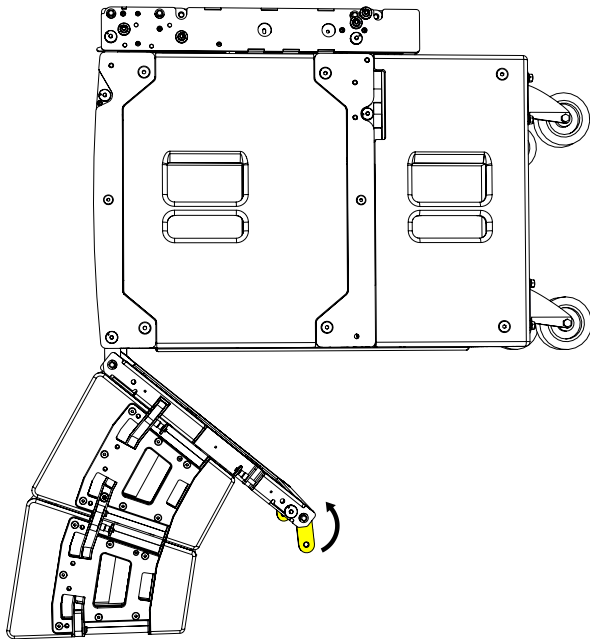
Position the T8 cabinets below the SXCF115 and lower the SXCF115 to connect the front links.



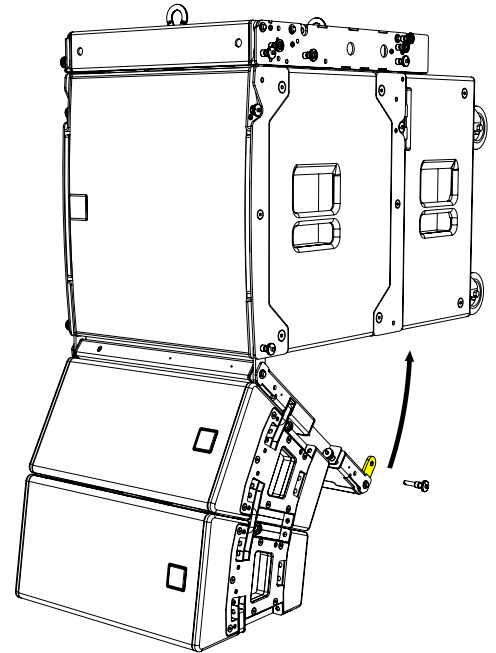
Rotate the front T8GRID sub links and connect to the front of the SXCF115 using the front rigging pins from the T8GRID



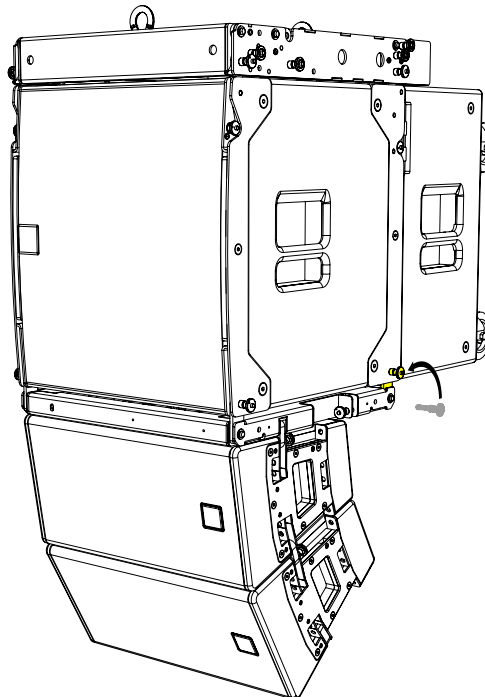
Rotate the rear T8GRID sub links



Swing the rear of the T8GRID to align the rear links



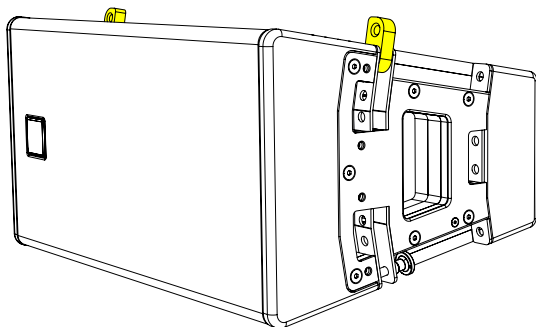
Connect to the rear of the SXCF115 using the rear rigging pins from the T8GRID



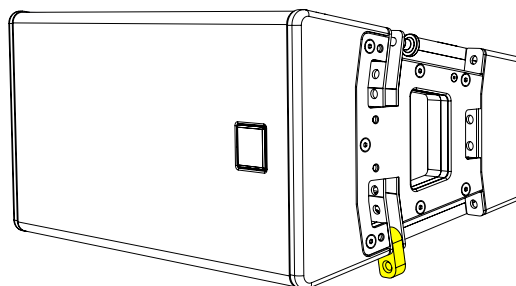
### T8PB

A rigging bar that can be mounted at the top and the bottom of the array allows extreme array deployment for installations.

When flying TORUS vertically the HF horn can be positioned on the left or the right to create symmetrical system design



*Linking up – HF horn to the right*

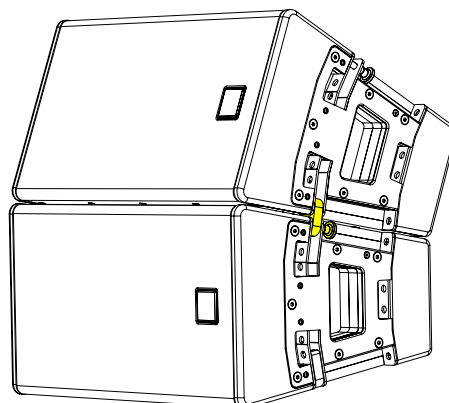
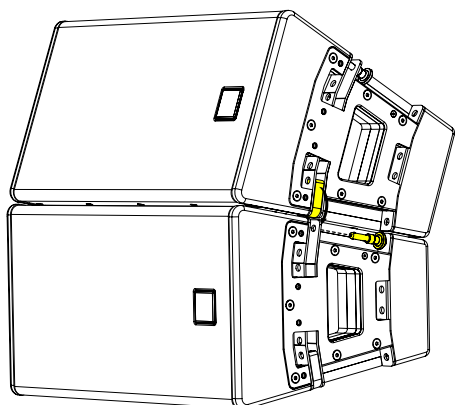


*Linking down – HF horn to the left*

### Horn Left

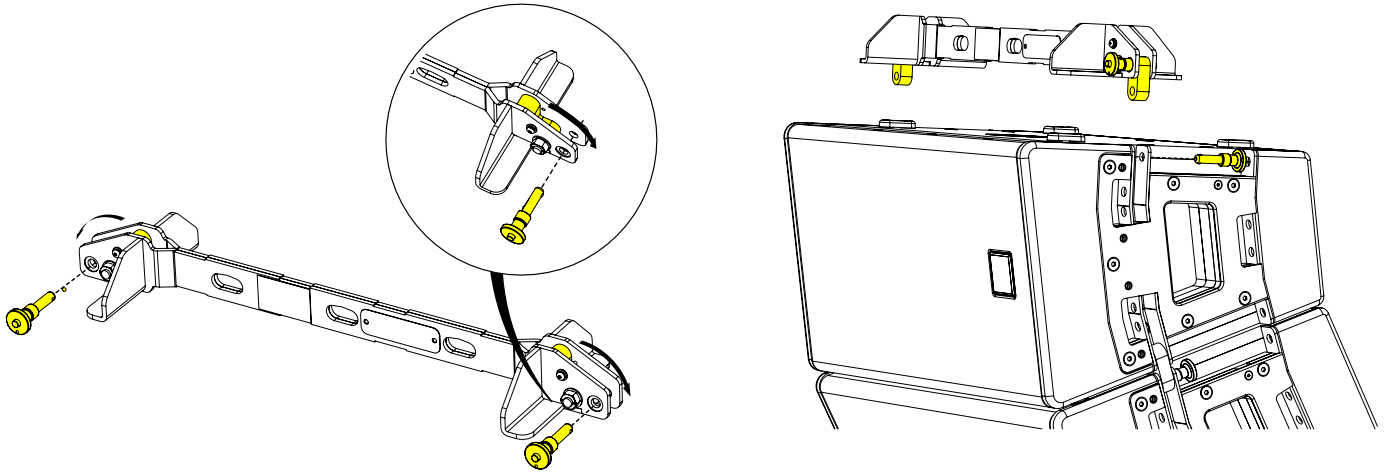
Place cabinets on top of each other. Remove the rigging pins from the cabinet below, rotate the links and insert the rigging pins to secure. Make sure the cabinet is secured on both sides.

Repeat the process until the desired number of cabinets have been vertically arrayed. A maximum of 6 cabinets can be flown from the T8PB in the vertical orientation.

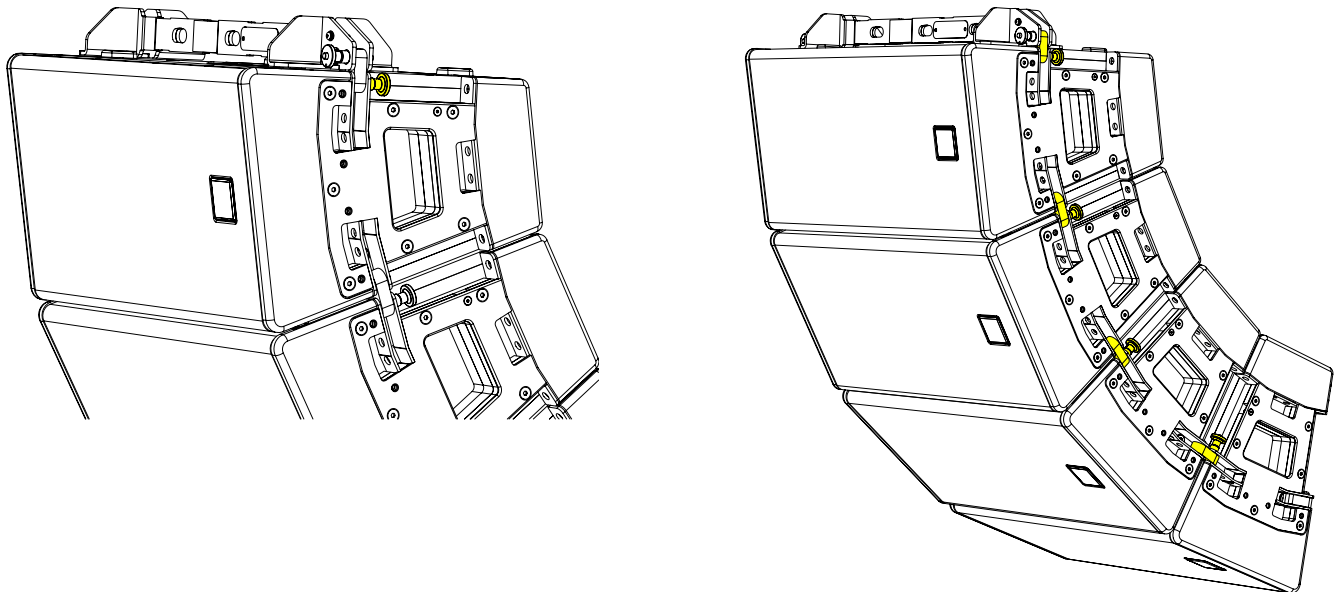




Rotate the links and position the T8PB on top of the TORUS cabinet



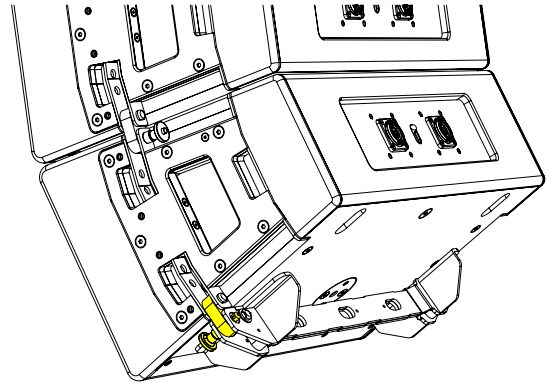
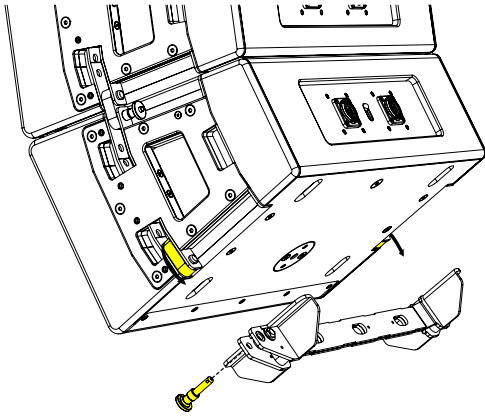
*Replace the rigging pins on both sides of the cabinet to secure.*



A second T8PB can be linked to the bottom of the array and used to achieve angles that are not possible with a single T8PB. This configuration can also be used to secure the array.

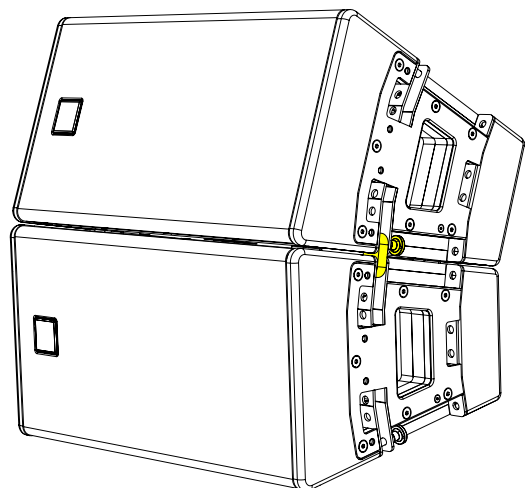
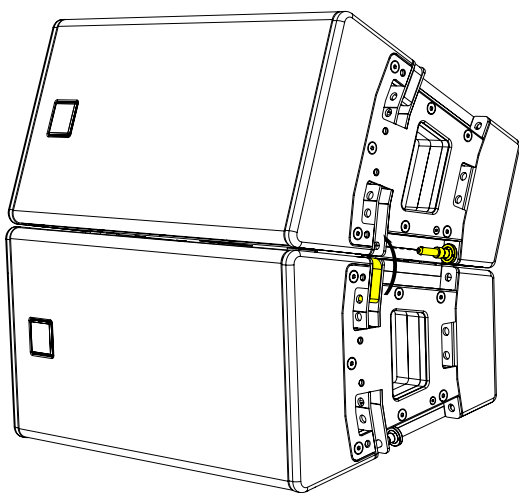
Rotate the links on the bottom cabinet and remove the rigging pins from the PB8.

Secure the PB8 into the cabinet links and replace the rigging pins



### *Horn Right*

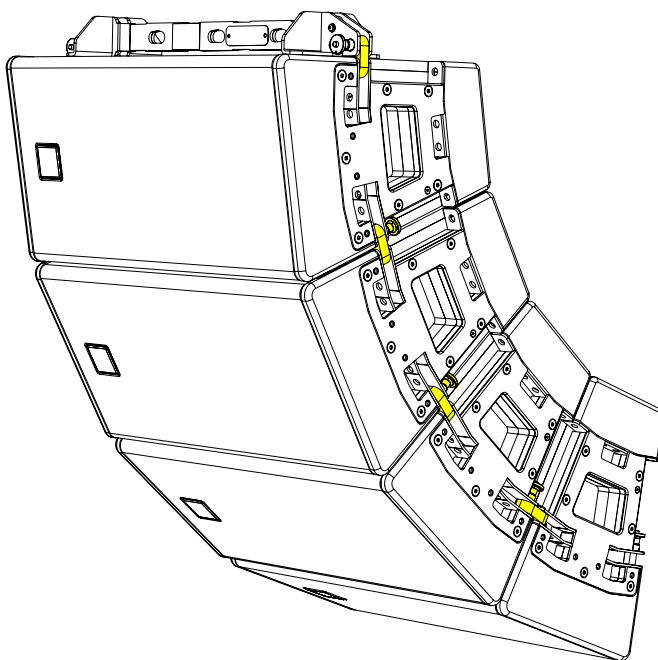
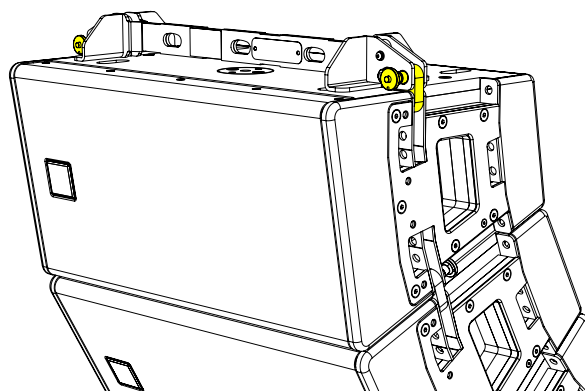
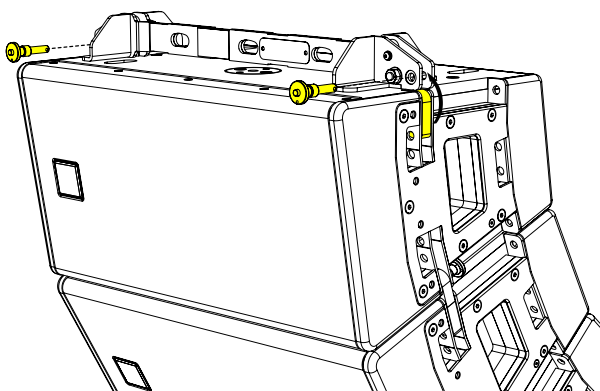
Place cabinets on top of each other. Remove the rigging pins from the cabinet above, rotate the links and insert the rigging pins to secure. Make sure the cabinet is secured on both sides.



Repeat the process until the desired number of cabinets have been vertically arrayed. A maximum of 6 cabinets can be flown from the T8PB in the vertical orientation.

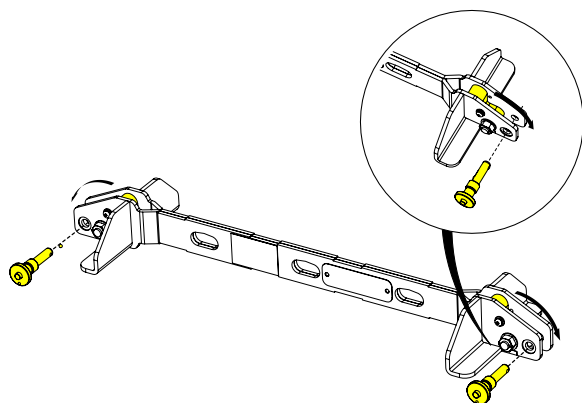
Position the T8PB on top of the TORUS cabinet, remove the rigging pins and rotate the links from the cabinet below.

Replace the rigging pins on both sides of the PB8 to secure to the array

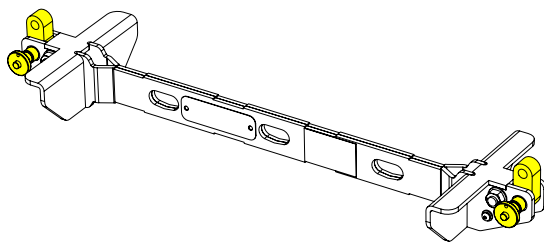


An additional T8PB can be linked to the bottom of the array and used to achieve angles that are not possible with a single T8PB. This configuration can also be used to secure the array.

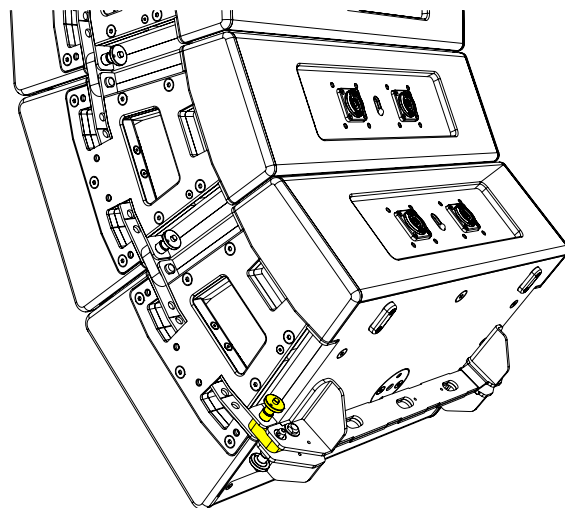
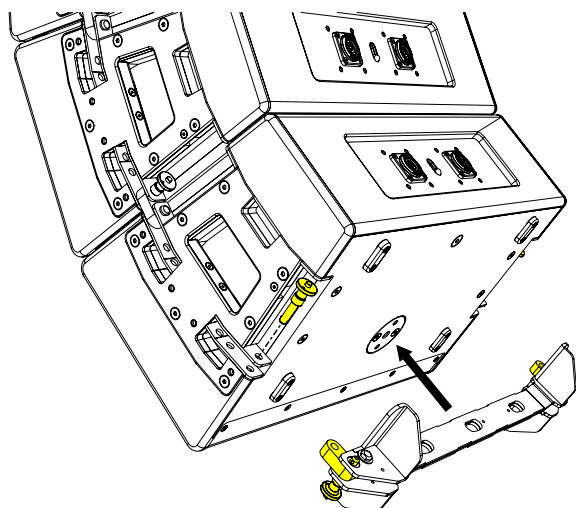
Remove the rigging pins from the PB8 and rotate the links



Replace the rigging pins to lock the links in place



Secure the PB8 into the cabinet rigging hardware and replace the rigging pins



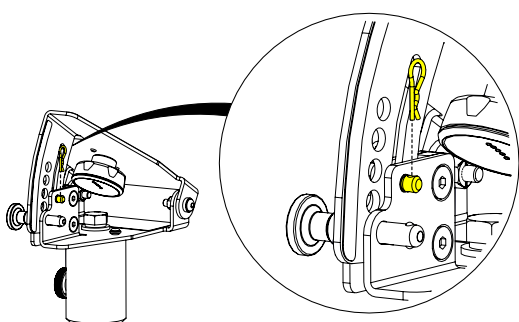
### POLERIG20

The vertical angle for a pole mounted TORUS can be adjusted and secured with a rigging pin. Angles available are

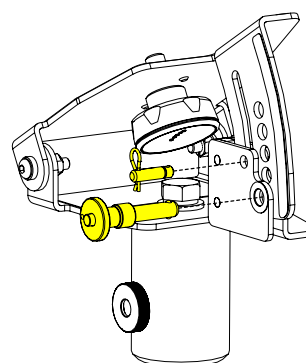
-10° to -30° in 5° increments

There are two mounting plates, one on either the top or the bottom of the cabinet (when in landscape). Decide which orientation you want the HF horn (left side or right side)

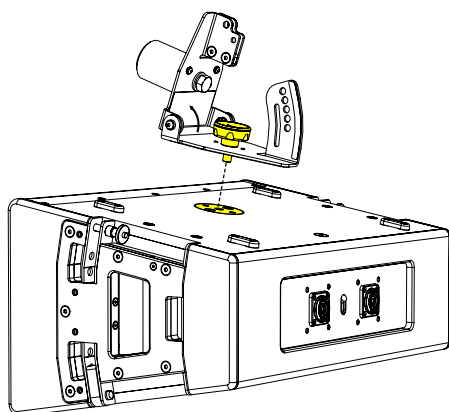
Remove the R-Clip from the safety pin



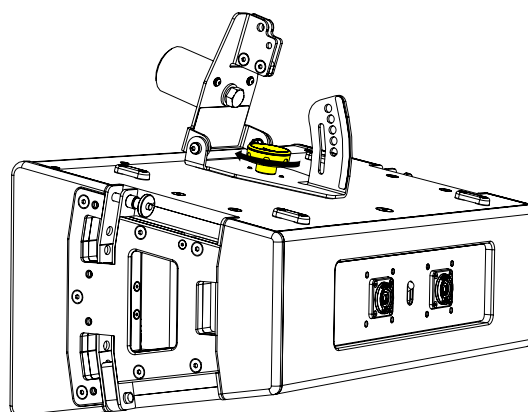
Remove the safety and rigging pin from the POLERIG20



Locate the POLERIG20 into the mounting plate

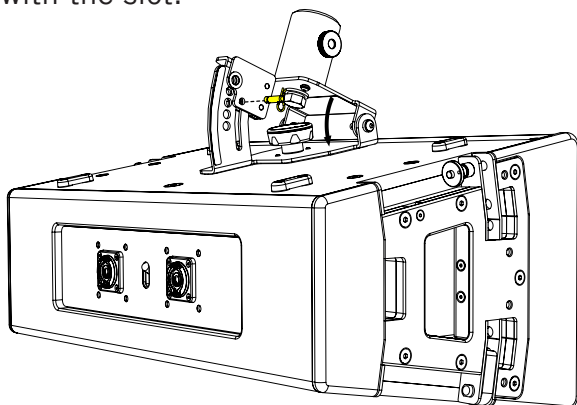


Tighten the handwheel until secure

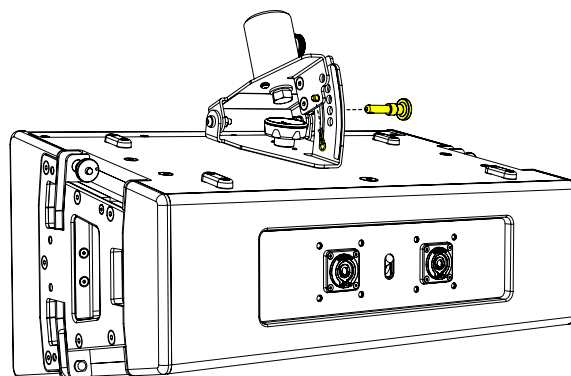




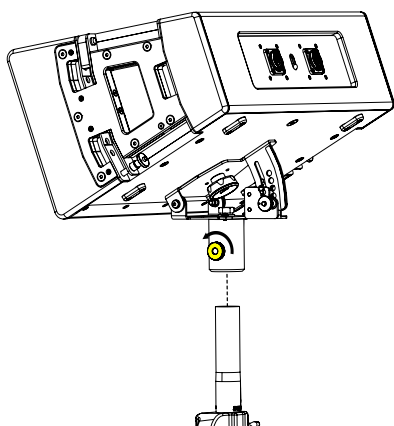
Rotate the base of the POLERIG20 and replace the safety pin, making sure it engages with the slot.



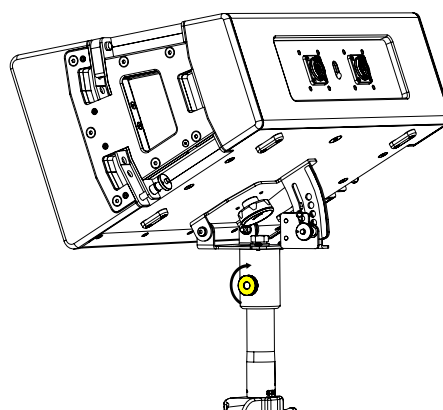
Replace the R-Clip and select the desired angle



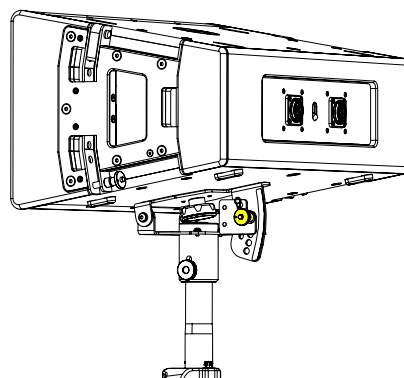
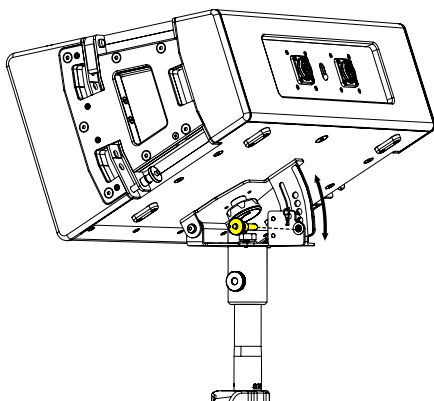
Before placing the cabinet onto a speaker stand or distance pole, undo the thumb wheel.



Place the cabinet on the and secure by tightening the thumb wheel



The angle can be changed by removing the rigging and selecting one of the 5 holes available

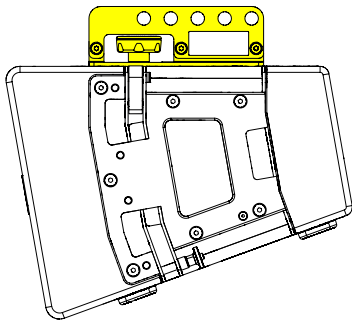


### SBAR40

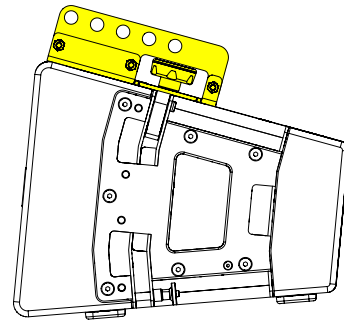
The SBAR40 is a simple accessory allowing 2 x T8 cabinets to be flown using 10 predetermined angles.

The SBAR can be mounted -

Towards the rear for - angles



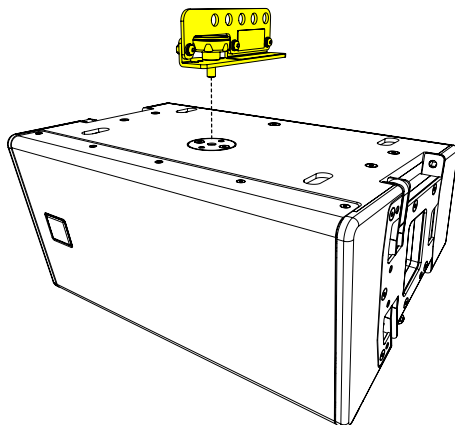
Towards the front for + angles.



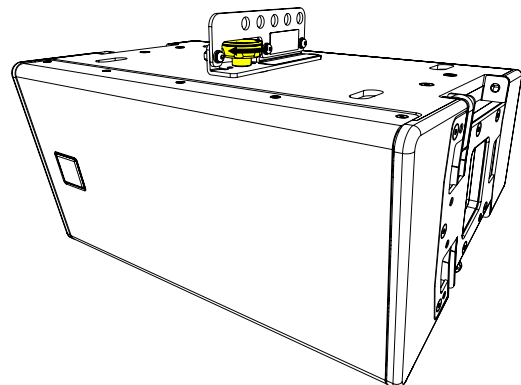
Please refer to DISPLAY 3 for angle options

There are two mounting plates, one on either the top or the bottom of the cabinet (when in landscape). Decide which orientation you want the HF horn (left side or right side)

Align the two pins and place the SBAR40 onto the mounting bracket.

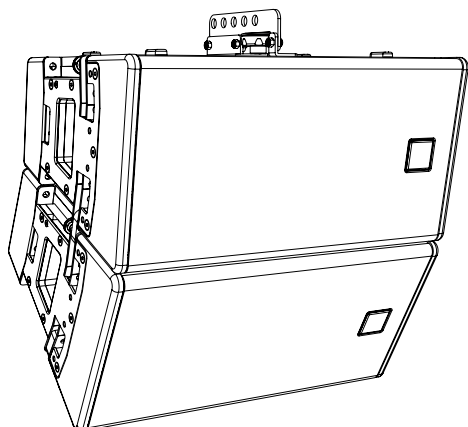


Turn the handwheel and tighten securely

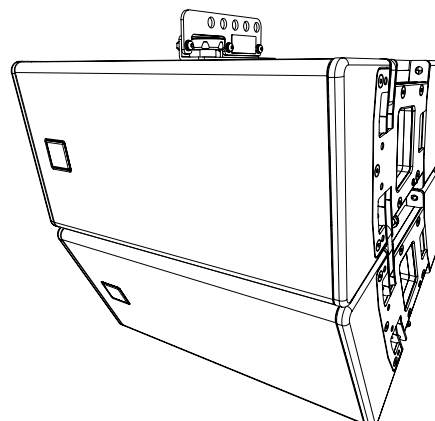


### Mounting options

#### *Horn Left*

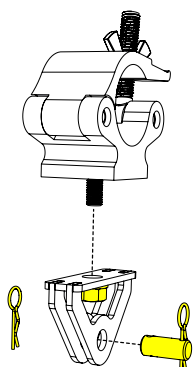


#### *Horn Right*

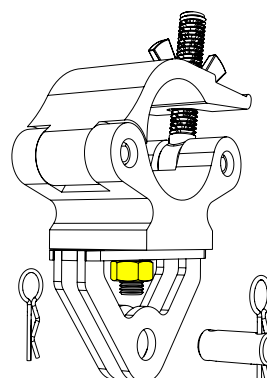


A half coupler adaptor can be used to suspend a single cabinet from the SBAR40.

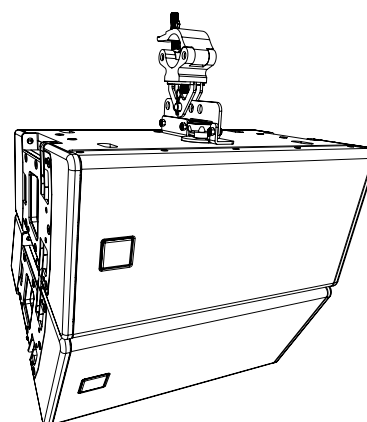
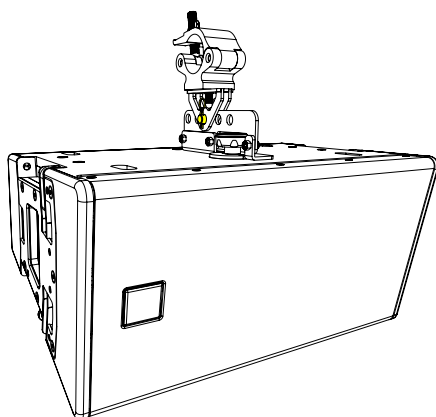
Remove the R-Clip to release the pin



Secure the half coupler to the adaptor



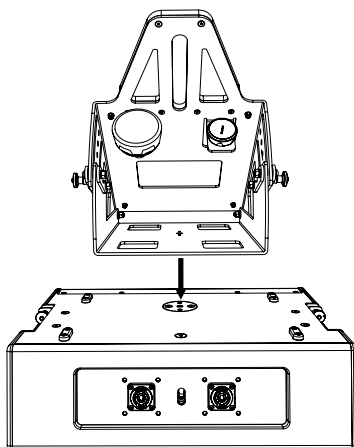
Position the adaptor in line with 1 of the 5 holes on the SBAR40 and replace the link pin and R-Clip



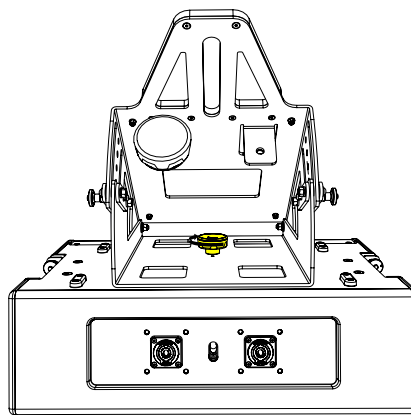
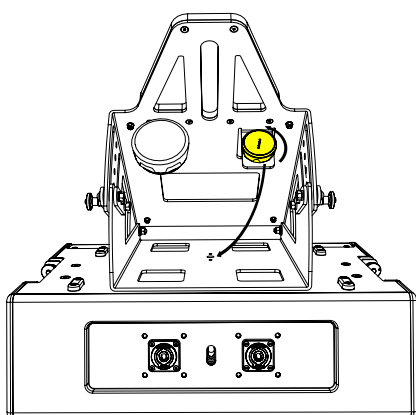
### GSRIG20

There are two mounting plates, one on either the top or the bottom of the cabinet (when in landscape). Decide which orientation you want the HF horn (left side or right side)

Align the two pins and place the GSRIG20 onto the mounting bracket

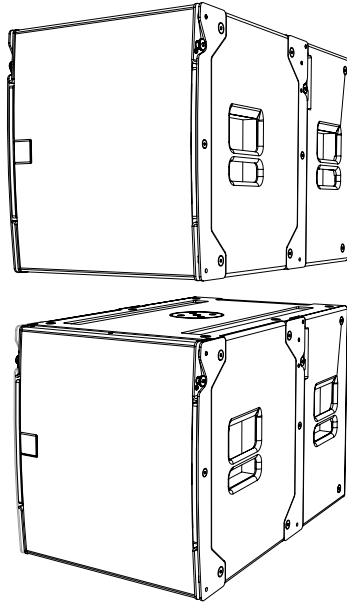


Remove the M10 handwheel from the stowing plate and secure to the plate through the mounting hole on the top plate of the GS20



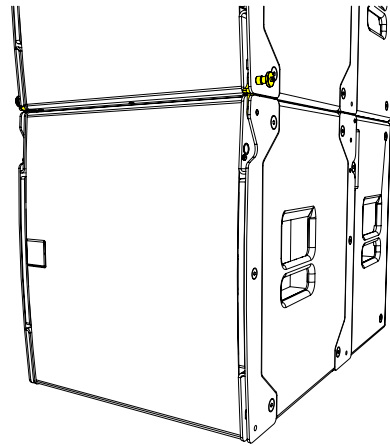
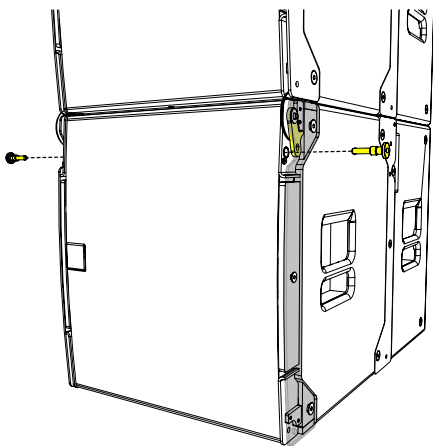
### Application example

Stack 2 x SXCF115 (one on top of the other).



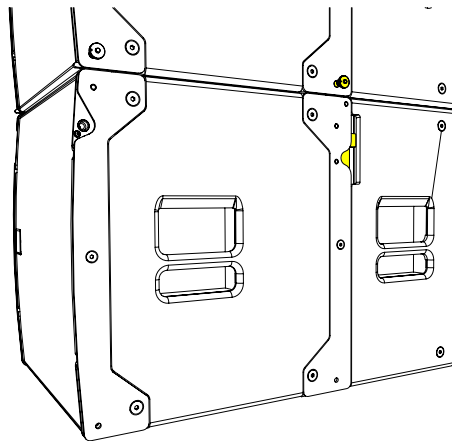
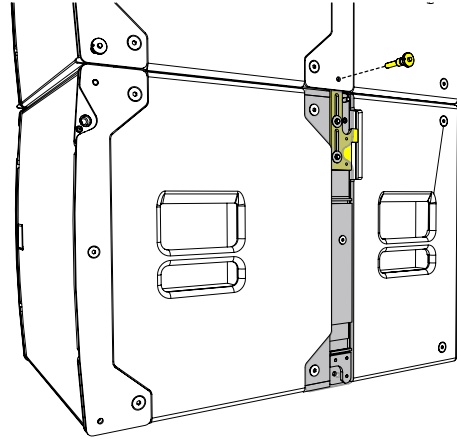
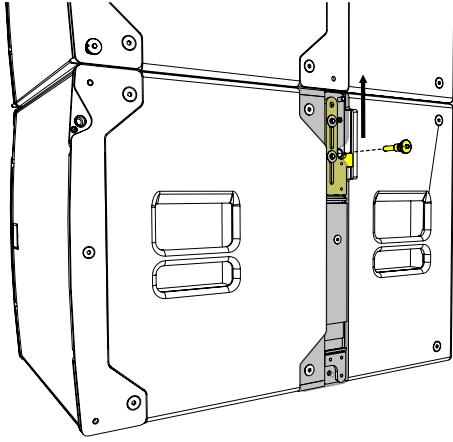
Remove the pins from the front SXCF115 to release the links.

Rotate the links and line them up with the pin holes on the cabinet above.

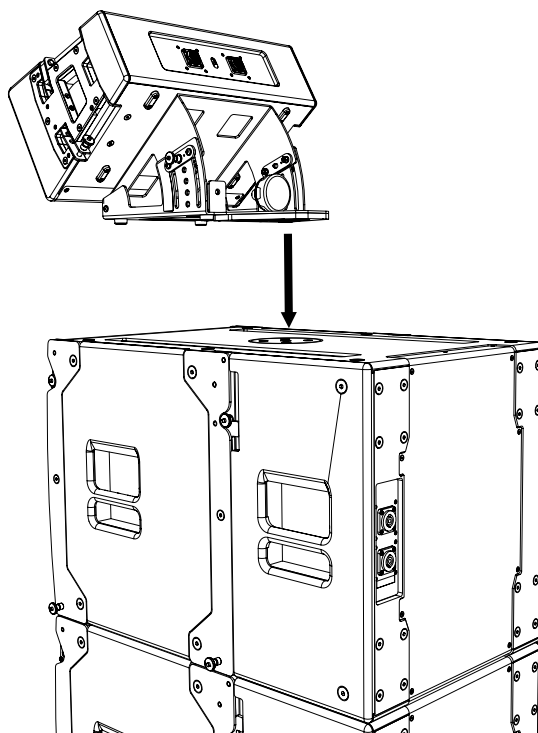


Remove the rear pins and lift the link

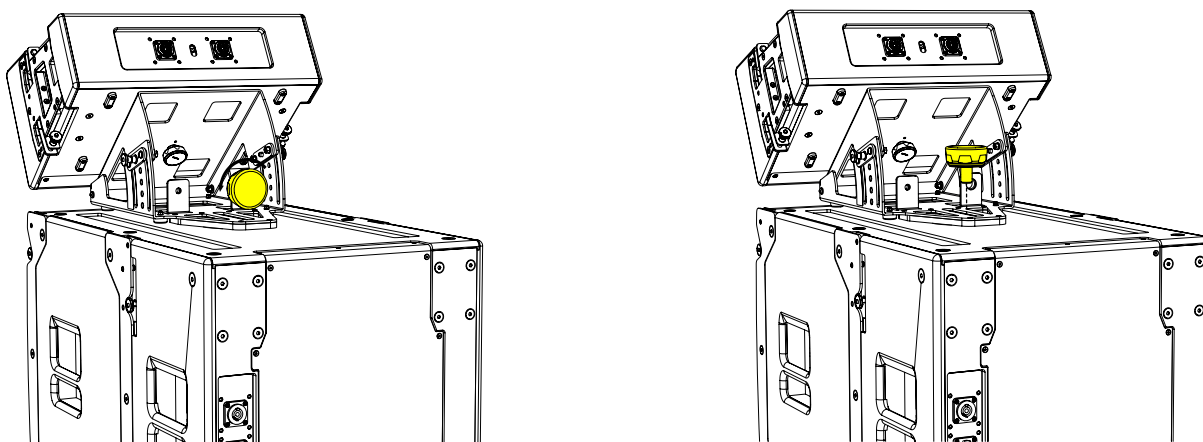
Insert the pins into the bottom of the top SXCF115 to lock the cabinets together



Place the assembly onto the top of the SXCF115 stack

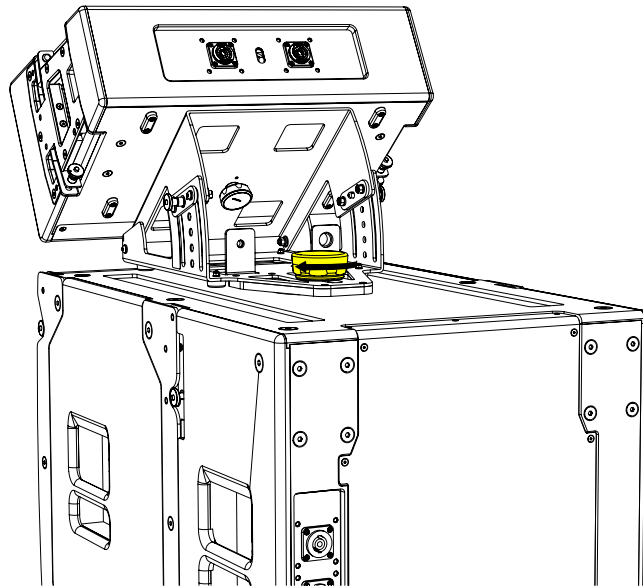


Remove the M20 handwheel from the stowing plate and secure to the M20 pole mount through the hole on the base plate of the GSRIG20



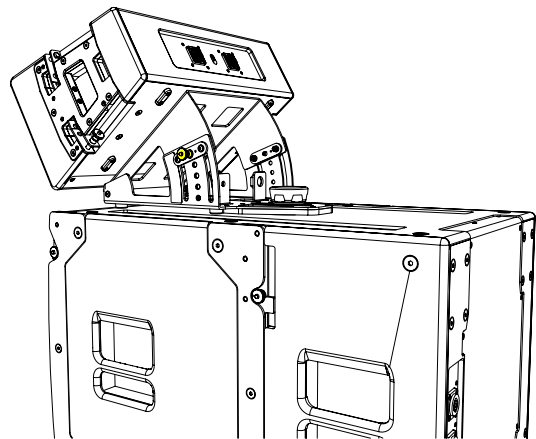
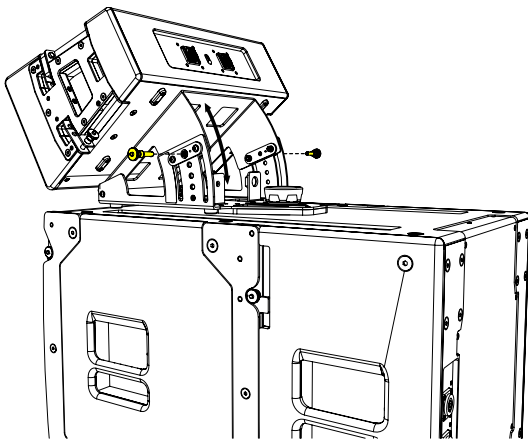


Tighten the M20 handwheel securely



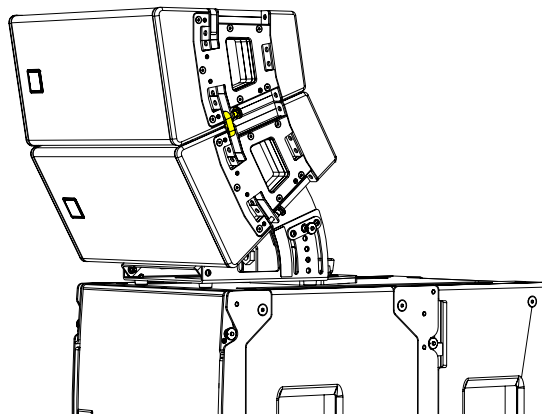
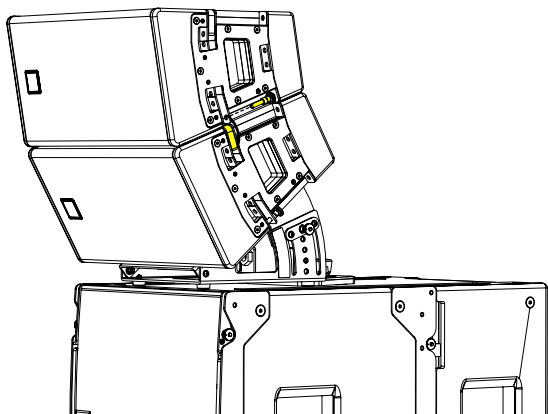
The angle of the GSRIG20 can be adjusted before adding more T8 cabinets, by removing the rigging pins from the side plates.

Replace the pins at the desired angle to lock into place

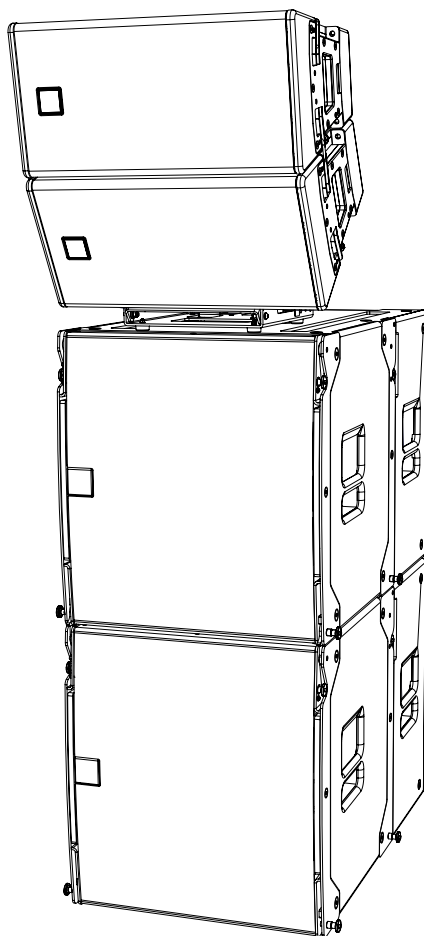


Place a cabinet on top and remove the rigging pins from the cabinet above, rotate the links.

Replace the rigging pins to secure. Make sure the cabinet is secured on both sides.



A maximum of 3 can be arrayed on top of the T8GSRIG. And any Martin Audio subwoofer that has an M20 pole mount can be used with this accessory. SCX(F)115, SXC(F)118, SX218



### Maintenance

To perform maintenance on this product the following tools listed below are needed.

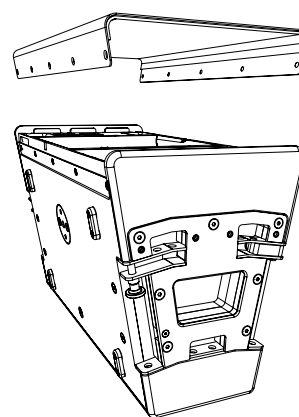
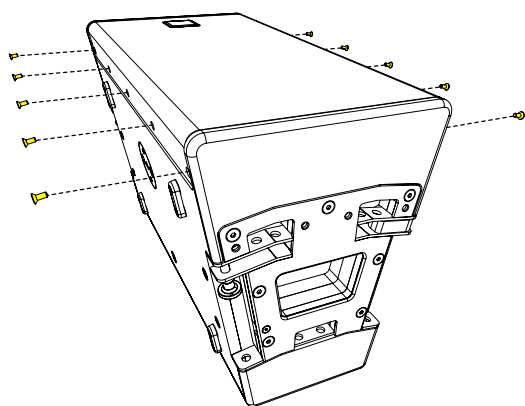
4mm hex tool

5mm hex tool

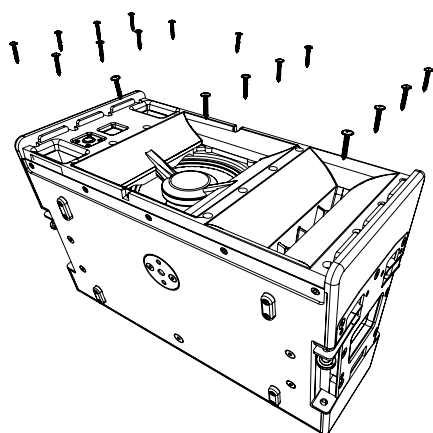
No. 2 Posi Screwdriver

#### Replacing the LF Driver -

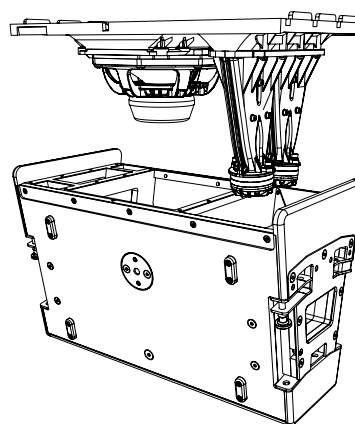
Remove the countersunk hex fasteners from the grille. (4mm hex tool)



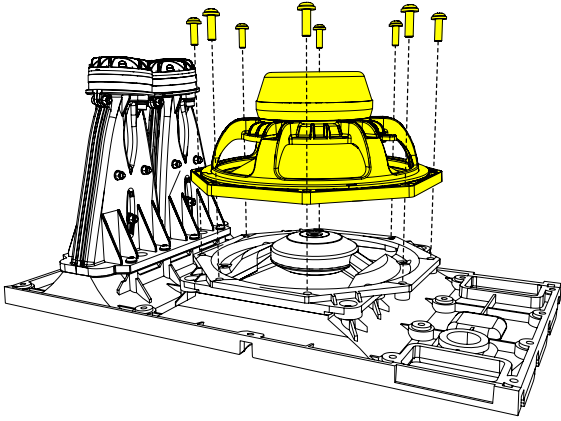
Remove the No. 8 Flange head screws



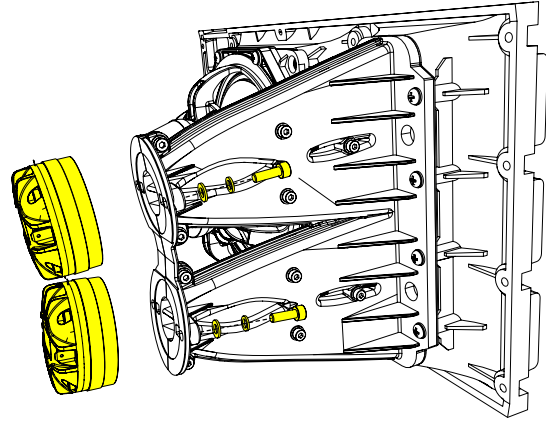
Lift the horn assembly out of the enclosure and disconnect the terminal spades on the LF and HF drivers



Remove the Pan head fasteners with a posi head screwdriver to remove the LF driver



Remove the hex bolts using the M5 hex tool to remove the HF drivers



**Martin Audio Limited**

Century Point

Halifax Road

Cressex Business Park

High Wycombe

Buckinghamshire

HP12 3SL

England

**FOR SALES ENQUIRIES:**

**UK**

Telephone: +44 (0)1494 535312

E-mail: [info@martin-audio.com](mailto:info@martin-audio.com)

**NORTH AMERICA**

Telephone: 323-381-5310

**[www.martin-audio.com](http://www.martin-audio.com)**

All information is Copyright © 2023 Martin Audio Ltd.

Martin Audio, the Martin Audio logo and Hybrid are registered trademarks of Martin Audio Ltd. in the United Kingdom, United States and other countries; all other Martin Audio trademarks are the property of Martin Audio Ltd.

