

# Blackline X218

## Dual-Driver Subwoofer



### Features

- Dual-driver, direct radiator subwoofer
- 2 x 18" (460mm) drivers with 4" (100mm) voice coils
- Durable plywood enclosure
- Large ports for reduced air noise
- Powder coated, perforated steel grille
- Integral ergonomic handles
- 35mm pole-mount socket
- Feet for vertical or horizontal operation
- Rebate recesses for stable horizontal stacking
- M10 flying inserts

### Applications

- Portable sound reinforcement
- Live music clubs
- Bars and restaurants
- Nightclubs
- Corporate AV events and conferences
- Weddings and parties
- Secondary stages at festivals
- HoW, leisure centres and retail outlets



The X218 is a dual-driver, high performance subwoofer for use with BlacklineX Series full-range loudspeakers. With an operating range of 42Hz-200Hz + 3dB, it produces high output levels with low distortion and can be used singly or stacked horizontally. It features dual 18" (460mm)/4" (100mm) voice coil, long-excursion drivers in a reflex enclosure with eight large ports that reduce air turbulence at high output levels. The X218 enclosure is constructed from plywood and finished in black textured paint.

For added versatility in deployment, the X218 is fitted with a 35mm pole-mount socket for mounting BlacklineX full-range enclosures, and integral M10 inserts provide for eyebolt suspension of a single enclosure. Ergonomic handles assist ease of handling and the drivers are protected by a perforated steel grille. Rubber feet on the base of the X218 resist movement and align with recesses in the top surface for stable horizontal stacking. Feet are also provided on one side of the enclosure for vertical operation of a single cabinet.

The X218 is supplied as standard without castors, which are available as an accessory pack.

When used with BlacklineX Series full-range systems, crossover and EQ functions can be performed by the DX0.5 or DX4.0 system controllers or by a Martin Audio amplifier with onboard DSP.

# Blackline X218

## Dual-Driver Subwoofer



### Technical Specifications

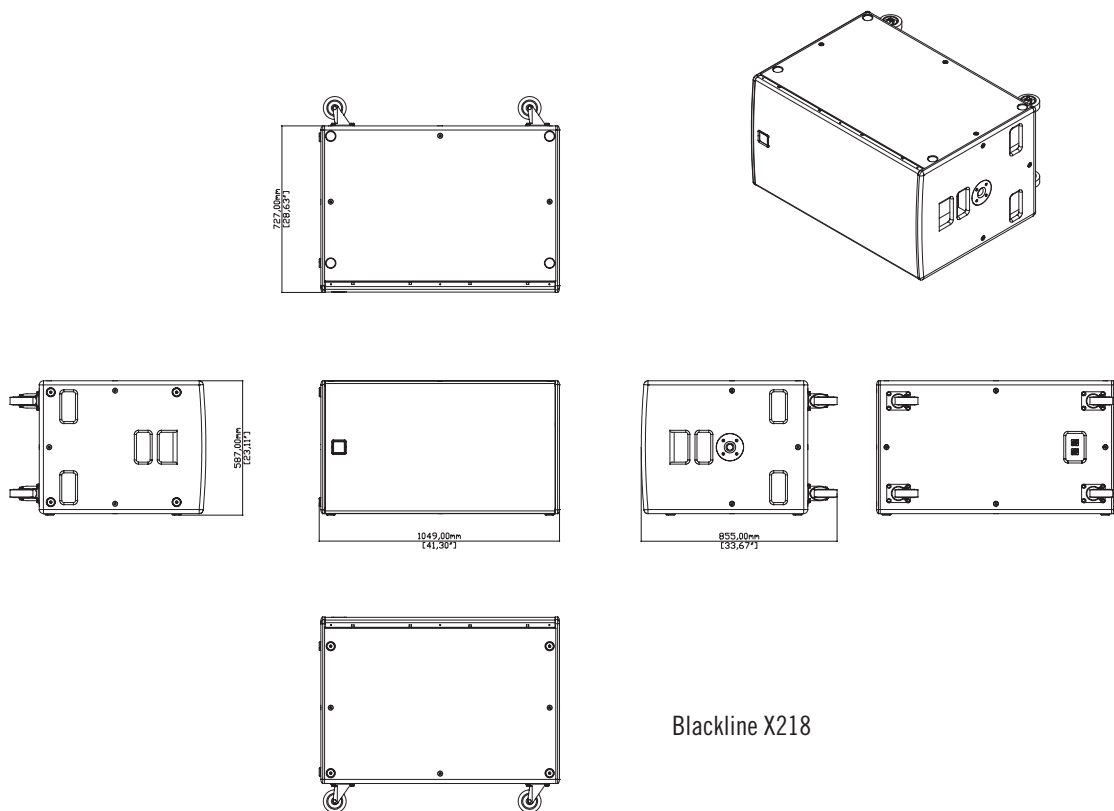
TYPE	Dual-driver, direct radiating subwoofer
FREQUENCY RESPONSE (1)	42Hz-200Hz $\pm$ 3dB -10dB @ 33Hz
DRIVER	18" (460mm)/4" (100mm) voice coil, long excursion, ferrite magnet
RATED POWER (2)	1600W AES, 6400W peak
RECOMMENDED AMPLIFIER	VIA 5002, iK81, iK42
SENSITIVITY (10)	106dB
MAXIMUM SPL (9)	141dB peak (half space)
NOMINAL IMPEDANCE	4 ohms
DISPERSION (-6dB)	Omnidirectional
CROSSOVER	80-120Hz active
ENCLOSURE	Birch/poplar ply
FINISH	Black textured paint
PROTECTIVE GRILLE	Black perforated steel
CONNECTORS	2 x NL4 type
PIN CONNECTIONS (INPUT)	1+ 1- Link Through 2+ 2-
PIN CONNECTIONS (LINK)	1+ 1- Link Through 2+ 2-
FITTINGS	12 x M10 inserts, pole-mount socket 2 x bar handles, 4 x pocket handles, provision for castors
DIMENSIONS (INCL FEET)	(W) 1049mm x (H) 587mm x (D) 727mm (W) 41.3ins x (H) 23.1ins x (D) 28.6ins
WEIGHT	88kg (194lbs)

#### Notes

- (1) Measured on-axis in half (2pi) space at 2 metres, then referred to 1 metre.
- (2) AES Standard ANSI S4.26-1984.
- (3) Measured in half (2pi) space at 2 metres with 1 watt input, using band limited pink noise, then referred to 1 metre.
- (4) Measured in half (2pi) space at 2 metres using band limited pink noise, then referred to 1 metre.
- (5) Measured on-axis in open (4pi) space at 2 metres, then referred to 1 metre.
- (6) Measured in open (4pi) space at 2 metres with 1 watt input, using band limited pink noise, then referred to 1 metre.
- (7) Measured in open (4pi) space at 2 metres using band limited pink noise, then referred to 1 metre.
- (8) Measured in open (4pi) space at 2 metres with 2.83v input, using band limited pink noise, then referred to 1 metre.
- (9) Calculated at 1 metre.
- (10) Measured in half (2pi) space at 2 metres with 2.83V input, using band limited pink noise, then referred to 1 metre.

#### Trade Descriptions Act

Due to Martin Audio's policy of continuing improvement, we reserve the right to alter these specifications without prior notice. Martin Audio is committed to refining state of the art sound reinforcement, combining in-depth product and field applications research with advanced manufacturing techniques. Every Martin Audio product is built to the highest manufacturing standards and rigorously tested to ensure that it meets the performance criteria specified in the design.



Blackline X218

Martin Audio Ltd  
Century Point, Halifax Road, High Wycombe  
Buckinghamshire HP12 3SL, England

Telephone: +44 (0) 1494 535 312  
Facsimile: +44 (0) 1494 438 669  
Email: [info@martin-audio.com](mailto:info@martin-audio.com)

All information is Copyright © 2021 Martin Audio Ltd.



[www.martin-audio.com](http://www.martin-audio.com)