

SX215

Dual 15" driver, direct radiating subwoofer

Features

- Dual-driver, direct radiating subwoofer
- Dual long excursion 15" (380mm)/4" (100mm) voice coil drivers with water-resistant cones
- Very high output capability
- Plywood enclosure with flying inserts
- Large ports for reduced air noise

Applications

- Live sound reinforcement for medium-size venues
- Fixed installations in concert halls, theatres and ballrooms
- Sports stadium and arena installations
- Houses of Worship
- Conference halls and corporate AV events
- Nightclubs, bars and hotels
- Retail outlets and leisure centres



The SX215 is a very powerful, compact subwoofer with an operating range of 45-100Hz + 3dB. Featuring two long-excursion 15" (380mm)/4" (100mm) voice coil drivers with water-resistant cones and triple roll surrounds, it delivers exceptional low frequency extension and impact from such a compact enclosure. Eight reflex ports with a large frontal area increase LF output efficiency and reduce turbulent air noise at high levels.

Finished in hardwearing textured paint, the SX215 incorporates threaded inserts for eyebolt suspension of a single enclosure, while an M20 threaded plate facilitates pole-mounting of Martin Audio full-range enclosures. Four ergonomic handles assist handling and installation, and the drivers are protected by a coated steel grille with an acoustically transparent fabric backing.

The SX215 can be used singly, or stacked using locating skids and mating channels at the base and top surface of each enclosure. Cardioid operation can be achieved by arranging the SX215 in forward and rear-facing pairs, with each enclosure powered individually in conjunction with dedicated DSP presets.

The SX215 is available in black or white. As standard, it is supplied without castors, which are available as an accessory pack.

SX215

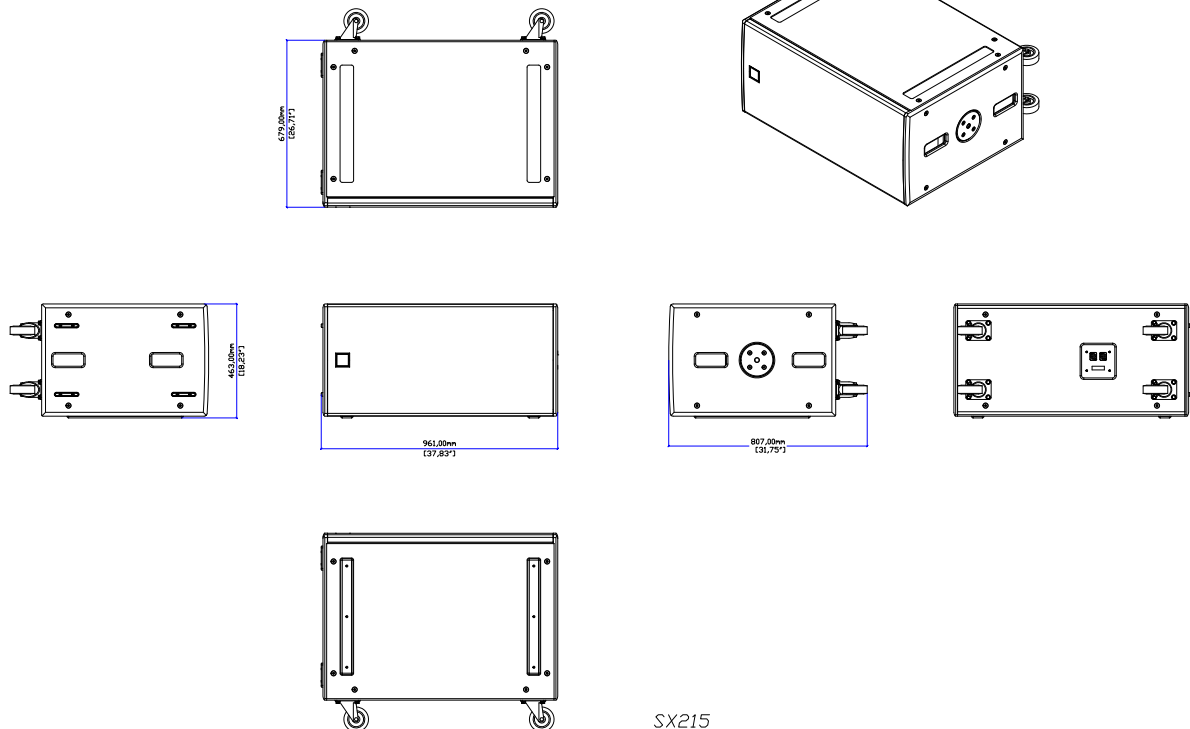
Dual 15" driver, direct radiating subwoofer

Technical Specifications

TYPE	Dual Driver, Direct radiating subwoofer
CROSSOVER FREQUENCY	100Hz
FREQUENCY RESPONSE 4π (5)	45Hz - 100Hz ± 3dB, -10dB @ 36Hz
DRIVERS	LF: 15" with 4" Voice coil, Ferrite Motor
SENSITIVITY	(2W 1m half space) 106dB
	(1W 1m half space) 103dB
NOMINAL IMPEDANCE	4 Ohms
RATED POWER	AES 1600W, PEAK 6400W
MAXIMUM SPL (SYSTEM)	136dB continuous, 142dB peak
DISPERSION	Omni-Directional/ or Cardioid (paired)
CONNECTORS	2 x NL4
PIN CONNECTIONS (INPUT)	1+/-
PIN CONNECTIONS (LINK)	1+/- and 2+/-
DIMENSIONS	(W) 961mm, (H) 463mm, (D) 679mm (807mm with Casters)
	(W) 37.83ins, (H) 18.23ins, (D) 26.73ins (31.77ins with Casters)
WEIGHT	64kg (141lbs)

Notes

- (1) Measured on-axis in half (2pi) space at 2 metres, then referred to 1 metre.
- (2) AES Standard ANSI S4.26-1984.
- (3) Measured in half (2pi) space at 2 metres with 1 watt input, using band limited pink noise, then referred to 1 metre.
- (4) Measured in half (2pi) space at 2 metres using band limited pink noise, then referred to 1 metre.
- (5) Measured on-axis in open (4pi) space at 2 metres, then referred to 1 metre.
- (6) Measured in open (4pi) space at 2 metres with 1 watt input, using band limited pink noise, then referred to 1 metre.
- (7) Measured in open (4pi) space at 2 metres using band limited pink noise, then referred to 1 metre.
- (8) Measured in open (4pi) space at 2 metres with 2.83V input, using band limited pink noise, then referred to 1 metre.
- (9) Calculated at 1 metre.
- (10) Measured in half (2pi) space at 2 metres with 2.83V input, using band limited pink noise, then referred to 1 metre.



SX215