

T12

System Circuit Configurations and Kit List

TORUS



This guide is intended to identify the most effective ways in which TORUS T12 Loudspeakers can be connected to an iKON amplifier dependant on the resolution applied.

Images show amplifier channel allocation, wiring schematic and amplifier circuit assignment (bi-wire switch setting) when deploying TORUS T12 based on the number of cabinets used.

Spare amplifier channels are shown to identify where users could implement other products into a system design such as accompanying subwoofers/loudspeakers.

All TORUS bi-wired circuit configurations are designed to utilise 4-core speaker cable as standard.

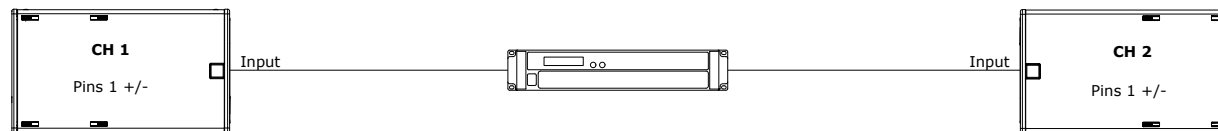
For system deployment and application examples, please see TORUS T12 System Deployment Guide.

For any enquiries, please contact **technical@martin-audio.com** who will be happy to help.

T12 System Circuit Configurations and Kit List



T12 One Box @ One Box Resolution



Kit List

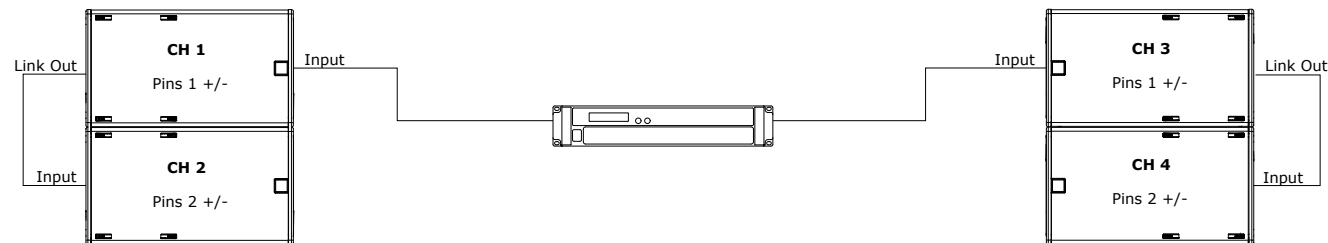
2 x T12
 2 x SBAR40/POLERIG1530
 1 x iK42/iK81
 2 x PWA00241 Signal to Cabinet

SPARE CHANNELS AVAILABLE = TWO/SIX

T12 System Circuit Configurations and Kit List



T12 Two Box Array @ One Box Resolution



Kit List

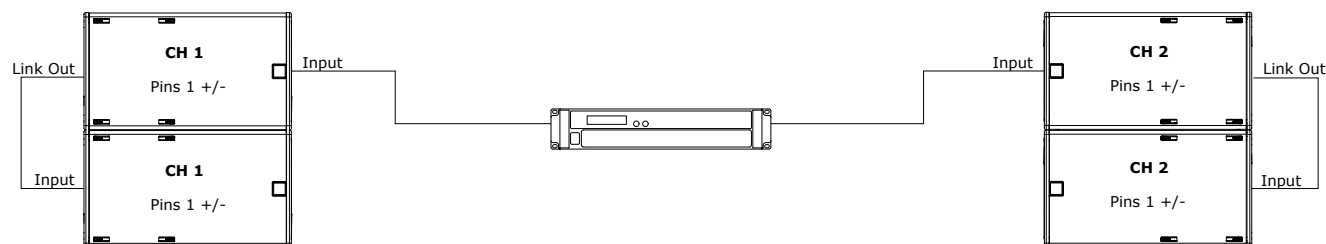
4 x T12
 2 x T12GRID
 1 x iK42
 2 x PWA00238 Cabinet Links
 2 x PWA00241 Signal to Cabinet

SPARE CHANNELS AVAILABLE = 0

T12 System Circuit Configurations and Kit List



T12 Two Box Array @ Two Box Resolution



Kit List

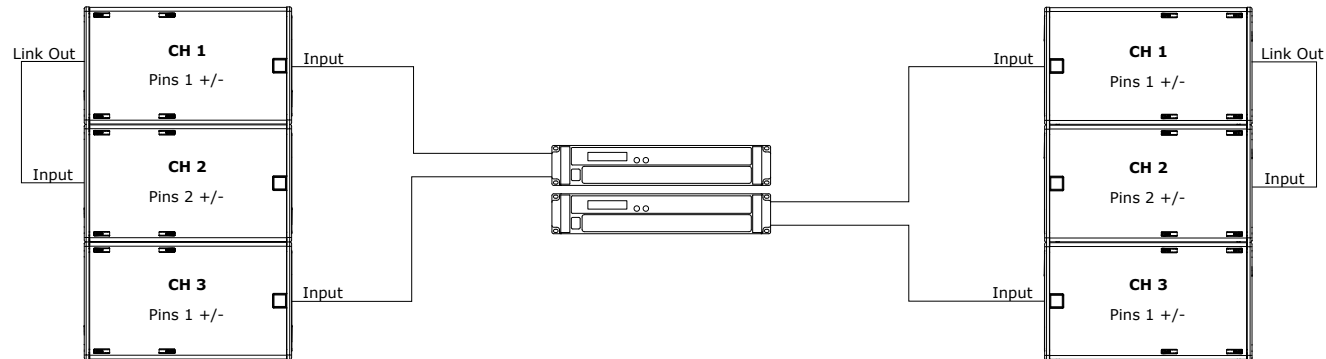
4 x T12
 2 x T12GRID
 1 x iK42
 2 x PWA00238 Cabinet links
 2 x PWA00241 Signal to Cabinet

SPARE CHANNELS AVAILABLE = 2

T12 System Circuit Configurations and Kit List



T12 Three Box Array @ One Box Resolution



Kit List

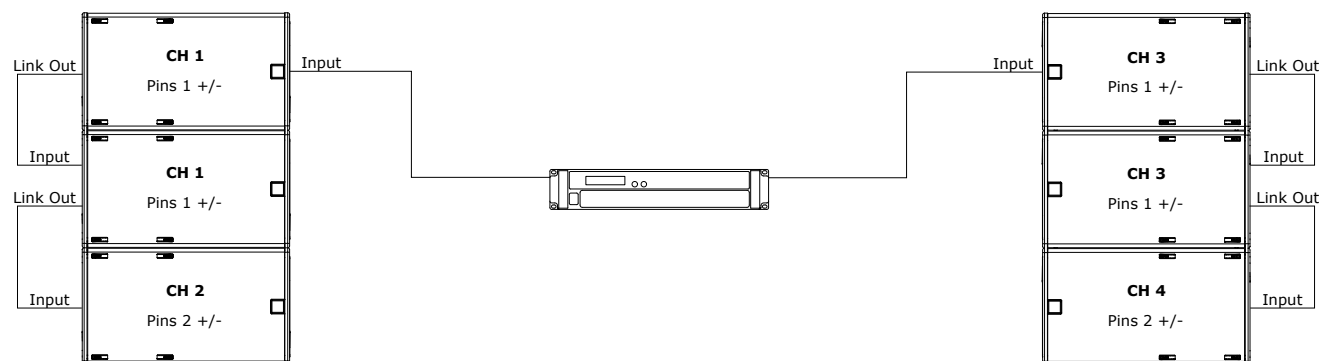
6 x T12
 2 x T12GRID
 2 x iK42
 2 x PWA00238 Cabinet Links
 4 x PWA00241 Signal to Cabinet

SPARE CHANNELS AVAILABLE = 2

T12 System Circuit Configurations and Kit List



T12 Three Box Array @ Two Box Resolution



Kit List

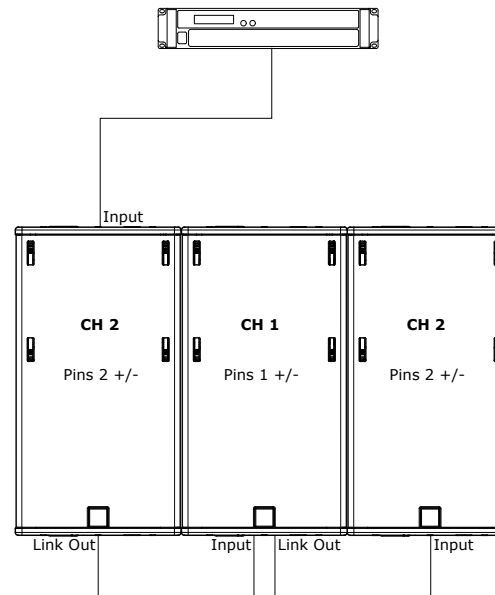
6 x T12
 2 x T12GRID
 1 x iK42
 4 x PWA00238 Cabinet Links
 2 x PWA00241 Signal to Cabinet

SPARE CHANNELS AVAILABLE = 0

T12 System Circuit Configurations and Kit List



T12 Three Box Horizontal Array @ Two Box Resolution



Kit List

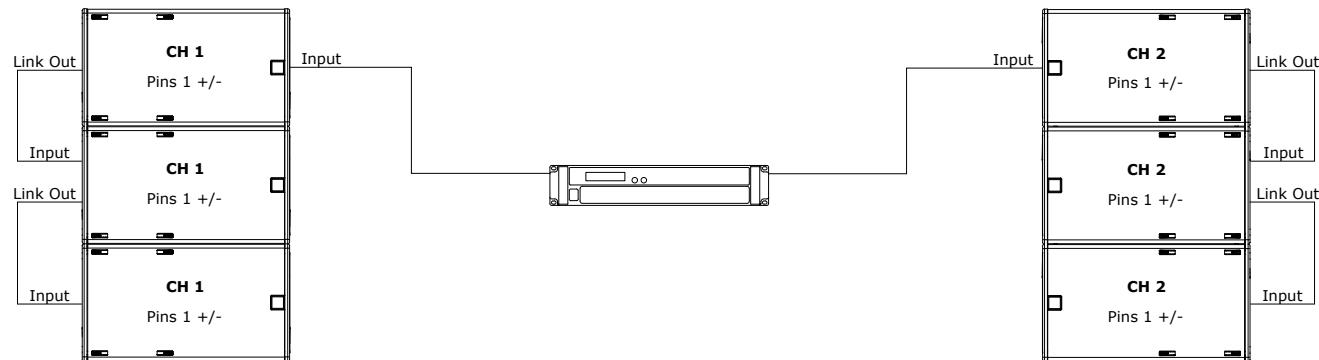
3 x TORUS T12
 1 x HRIG100
 1 x iK42
 2 x PWA00238 4-Core Cabinet Link Cable
 1 x PWA00241 4-Core Speaker Cable

SPARE CHANNELS AVAILABLE = 2

T12 System Circuit Configurations and Kit List



T12 Three Box Array @ Three Box Resolution



Kit List

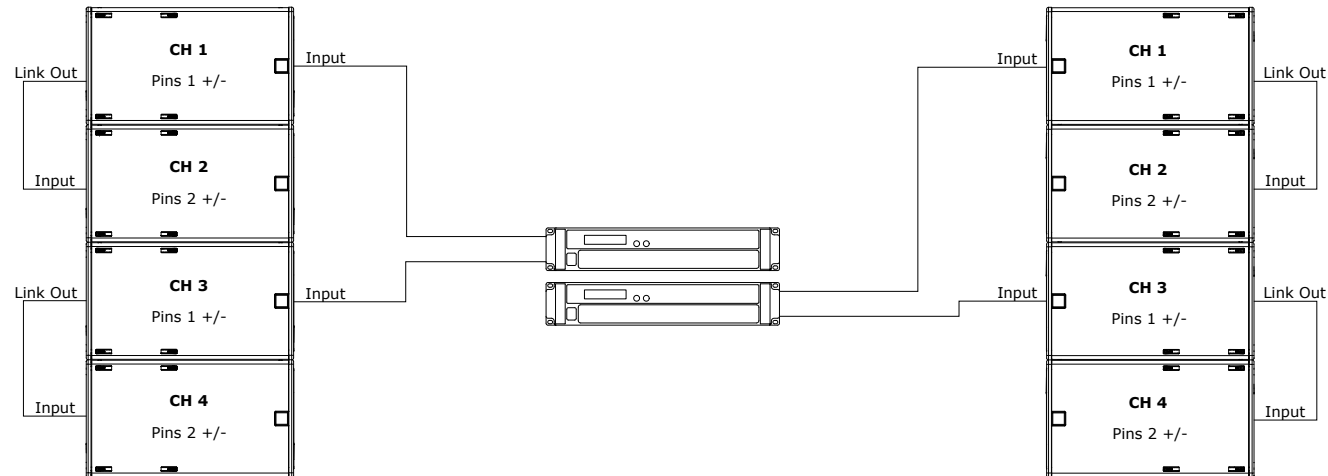
6 x T12
 2 x T12GRID
 1 x iK42
 4 x PWA00238 Cabinet Links
 2 x PWA00241 Signal to Cabinet

SPARE CHANNELS AVAILABLE = 2

T12 System Circuit Configurations and Kit List



T12 Four Box Array @ One Box Resolution



Kit List

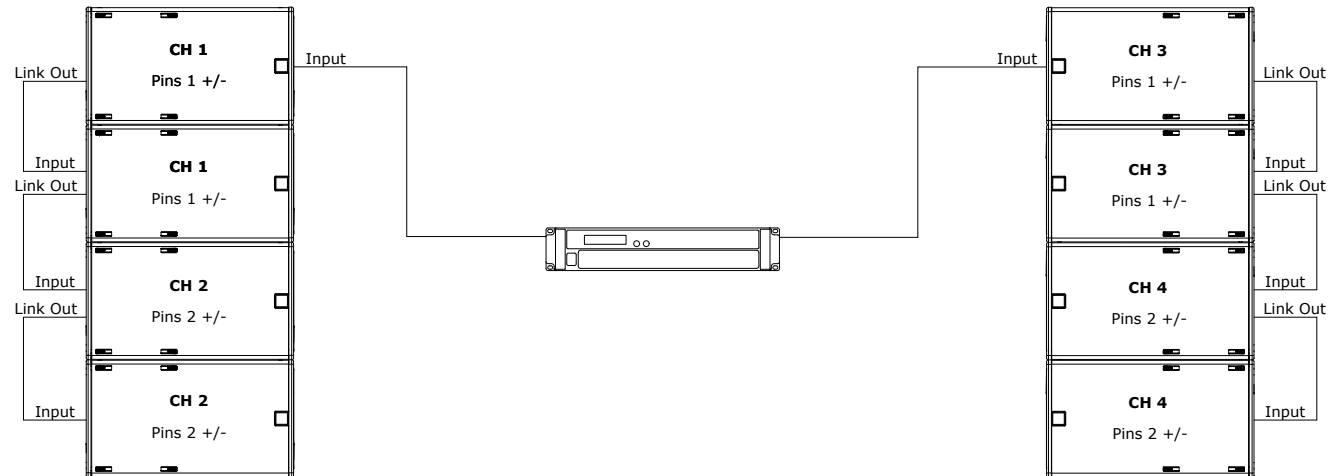
8 x T12
 2 x T12GRID
 2 x iK42
 4 x PWA00238 Cabinet Links
 4 x PWA00241 Signal to Cabinet

SPARE CHANNELS AVAILABLE = 0

T12 System Circuit Configurations and Kit List



T12 Four Box Array @ Two Box Resolution



Kit List

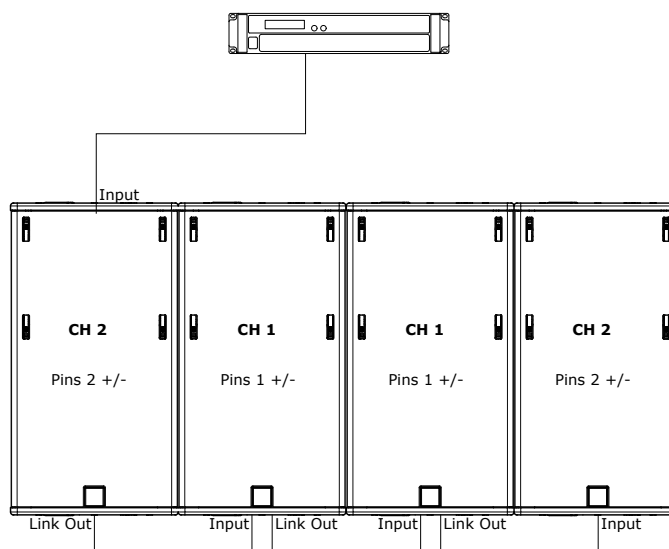
8 x T12
 2 x T12GRID
 1 x iK42
 6 x PWA00238 Cabinet Links
 2 x PWA00241 Signal to Cabinet

SPARE CHANNELS AVAILABLE = 0

T12 System Circuit Configurations and Kit List



T12 4 Box Horizontal Array @ Two Box Resolution



Kit List

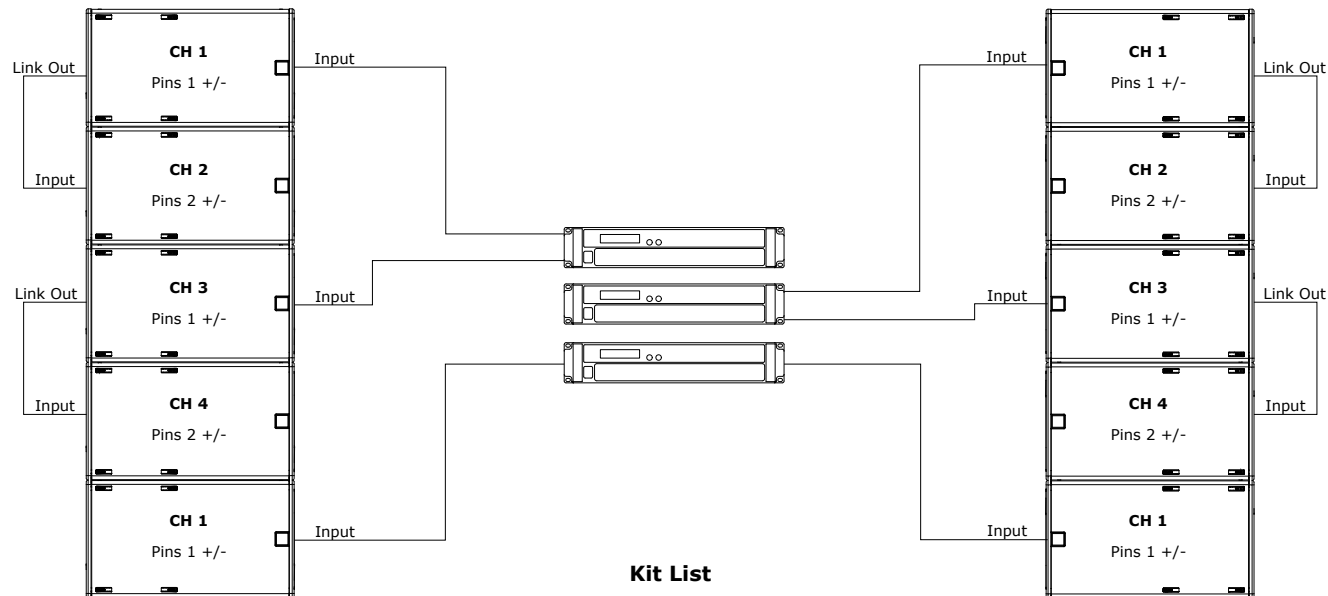
4 x T1230
 2 x HRIG100
 1 x iK42
 3 x PWA00238 Cabinet Links
 1 x PWA00241 Signal to Cabinet

SPARE CHANNELS AVAILABLE = 2

T12 System Circuit Configurations and Kit List



T12 Five Box Array @ One Box Resolution



Kit List

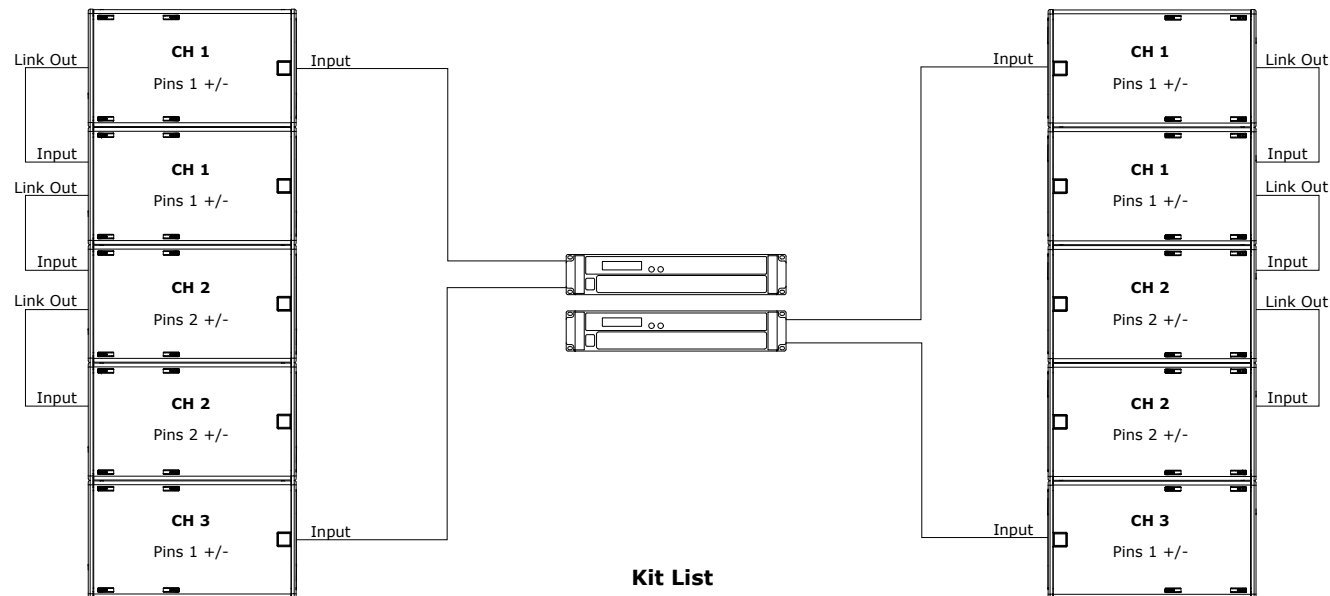
10 x T12
 4 x T12PB
 3 x iK42
 4 x PWA00238 Cabinet Links
 6 x PWA00241 Signal to Cabinet

SPARE CHANNELS AVAILABLE = 6

T12 System Circuit Configurations and Kit List



T12 Five Box Array @ Two Box Resolution



Kit List

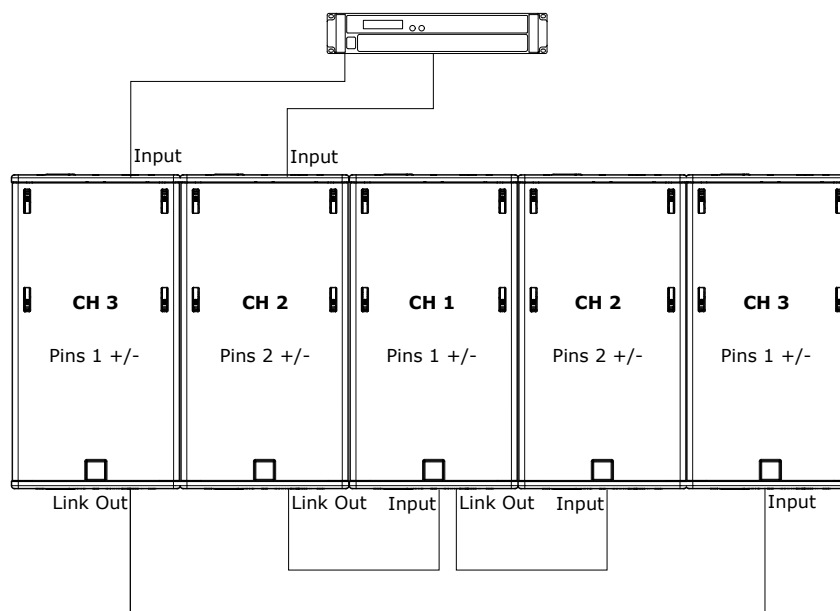
10 x T12
 4 x T12PB
 2 x iK42
 6 x PWA00238 Cabinet Links
 4 x PWA00241 Signal to Cabinet

SPARE CHANNELS AVAILABLE = 2

T12 System Circuit Configurations and Kit List



T12 Five Box Horizontal Array @ Two Box Resolution



Kit List

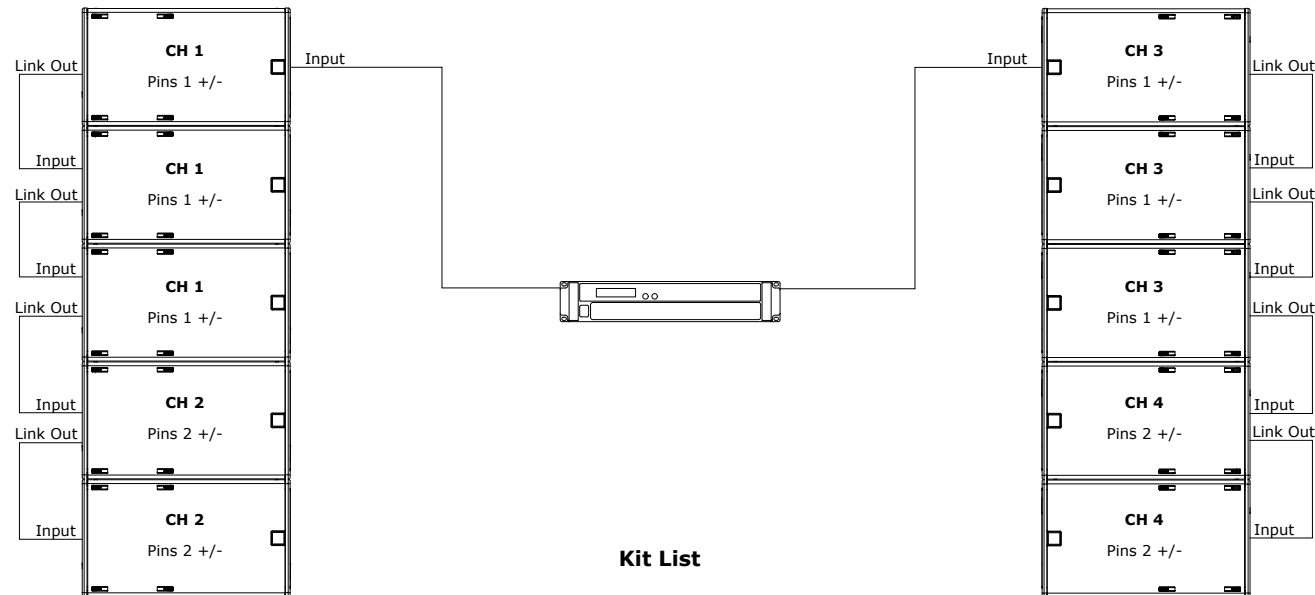
5 x T12
 2 x T12PB
 1 x iK42
 2 x PWA00238 4-Core Cabinet Link Cable
 1 x PWA00239 4-Core Cabinet Link Cable
 2 x PWA00241 4-Core Speaker Cable

SPARE CHANNELS AVAILABLE = 1

T12 System Circuit Configurations and Kit List



T12 Five Box Array @ Three Box Resolution



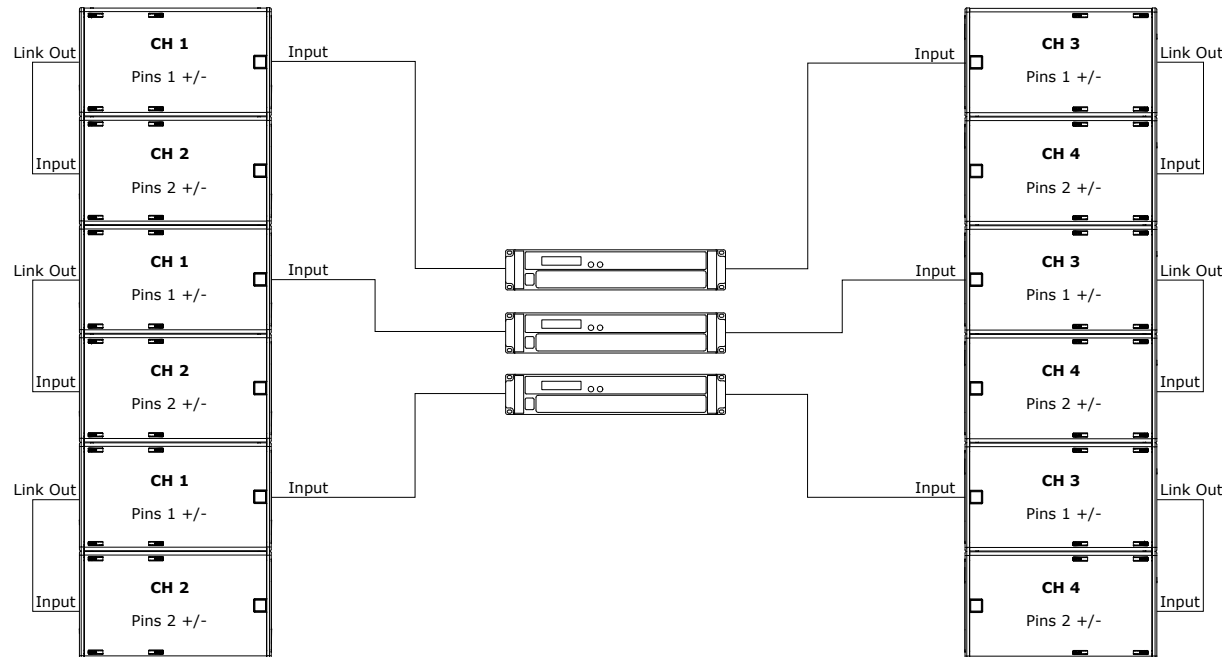
Kit List

10 x T12
 4 x T12PB
 1 x iK42
 8 x PWA00238 Cabinet Links
 2 x PWA00241 Signal to Cabinet
 SPARE CHANNELS AVAILABLE = 0

T12 System Circuit Configurations and Kit List



T12 Six Box Array @ One Box Resolution



Kit List

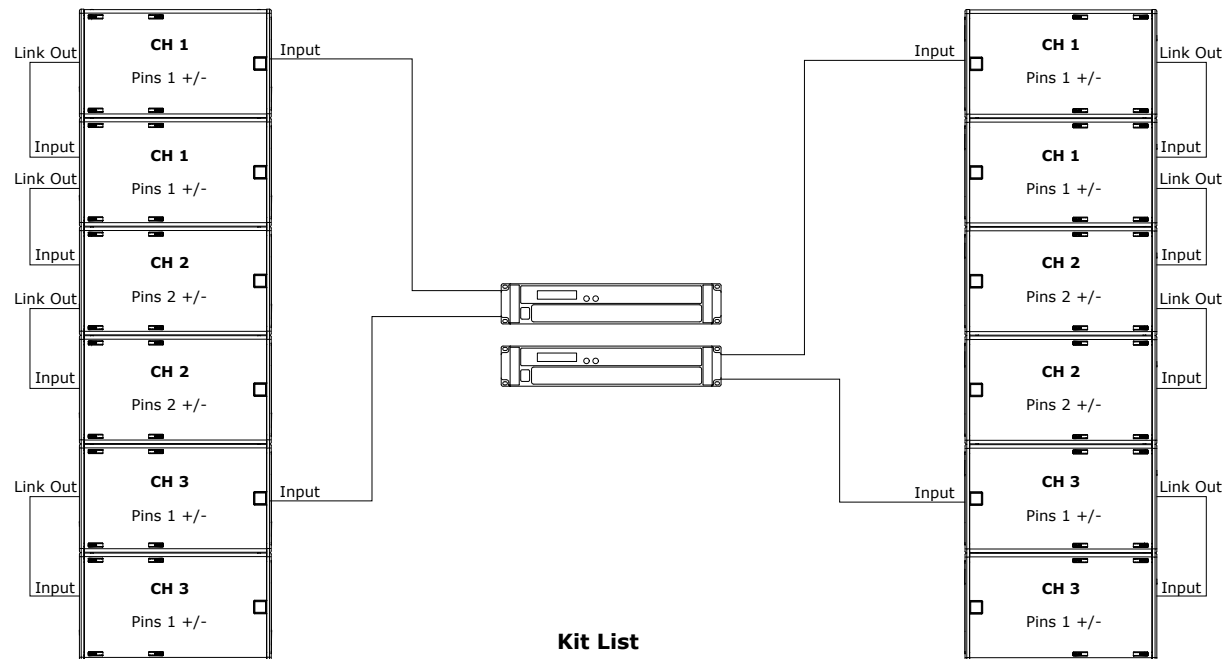
12 x T12
 4 x T12PB
 3 x iK42
 6 x PWA00238 Cabinet Links
 6 x PWA00241 Signal to Cabinet

SPARE CHANNELS AVAILABLE = 0

T12 System Circuit Configurations and Kit List



T12 Six Box Array @ Two Box Resolution



Kit List

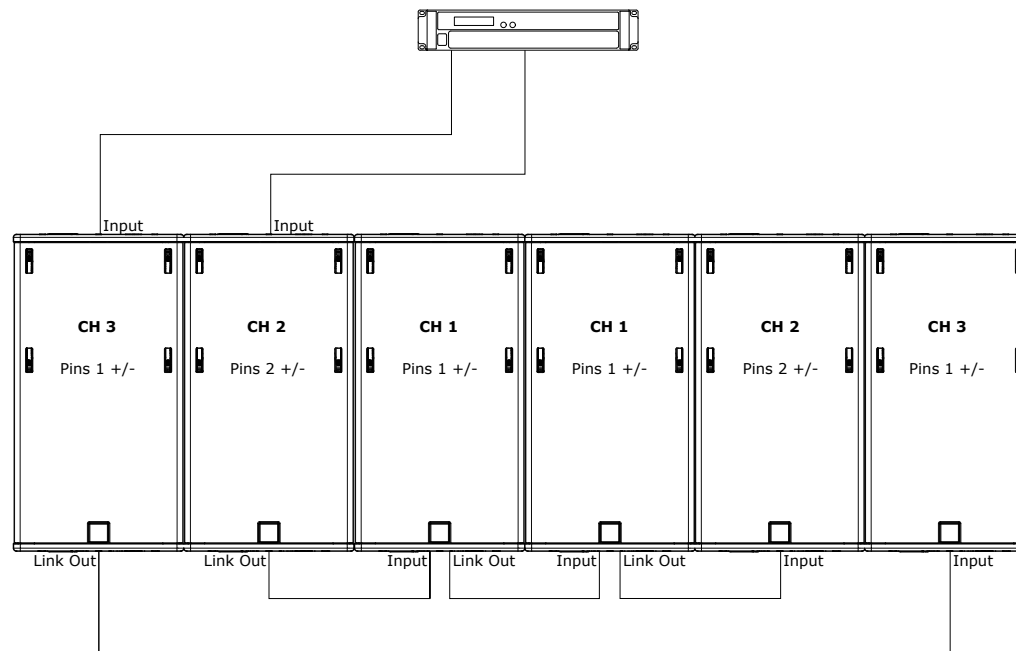
12 x T12
 4 x T12PB
 2 x iK42
 8 x PWA00238 Cabinet Links
 4 x PWA00241 Signal to Cabinet

SPARE CHANNELS AVAILABLE = 2

T12 System Circuit Configurations and Kit List



T12 Six Box Horizontal Array @ Two Box Resolution



Kit List

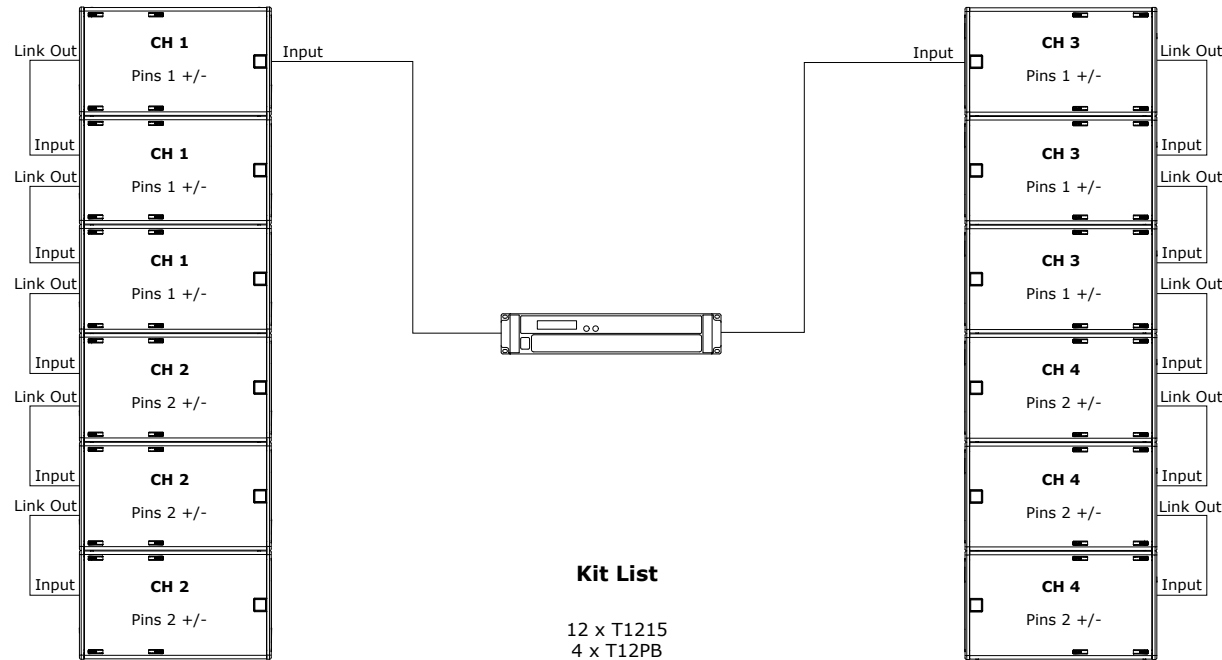
6 x T12
 2 x HRIG100
 1 x iK42
 3 x PWA00238 4-Core Cabinet Link Cable
 1 X PWA00239 4-Core Cabinet Link Cable
 2 x PWA00241 4-Core Speaker Cable

SPARE CHANNELS AVAILABLE = 1

T12 System Circuit Configurations and Kit List



Torus T12 Six Box Array @ Three Box Resolution



Kit List

12 x T1215
 4 x T12PB
 1 x iK42
 10 x PWA00238 Cabinet Links
 2 x PWA00241 Signal to Cabinet

SPARE CHANNELS AVAILABLE = 0