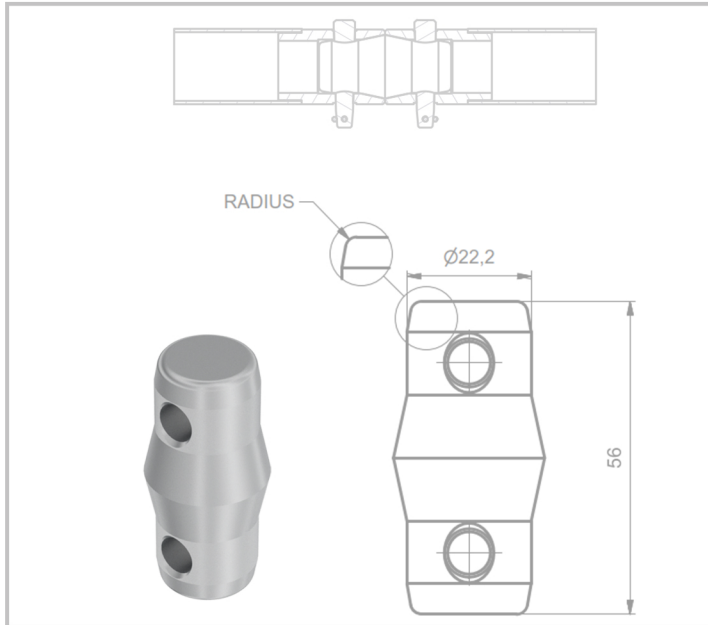


M222 Main chord: 32x1.5 mm

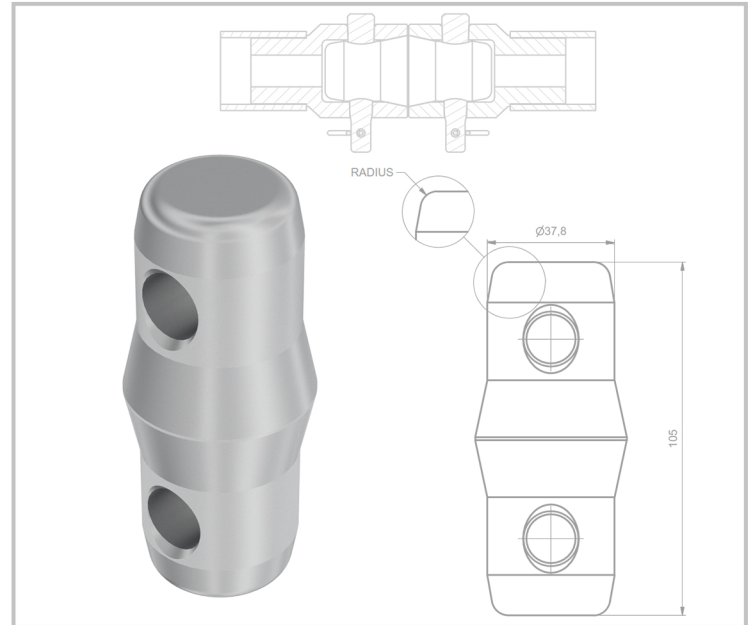
Connection Type M



- edges rounded with radius
- length of 56 mm

M400-M950 Main chord: 50x4 mm / 60x6 mm

Connection Type O



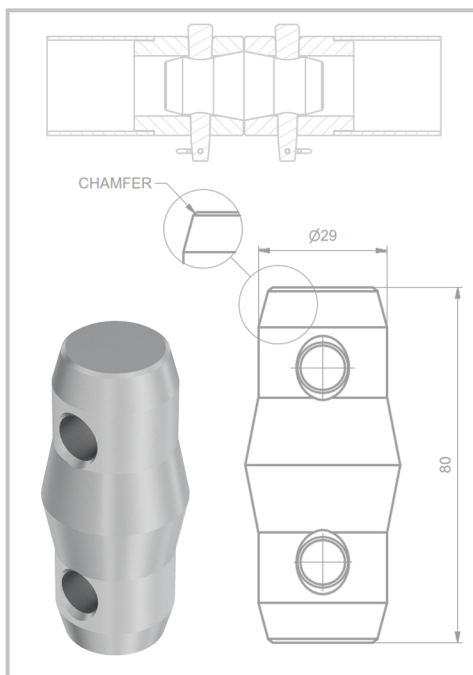
- edges rounded with radius
- length of 105 mm

M290-M390

Main chord: Regular 50x2 mm

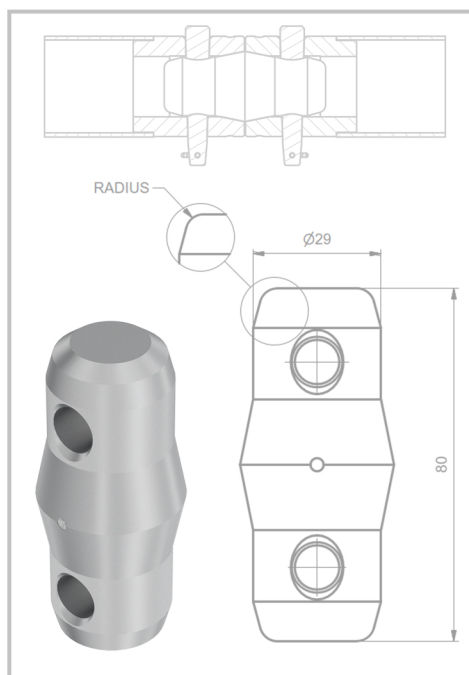
Heavy Duty 48x3 mm

Connection Type B



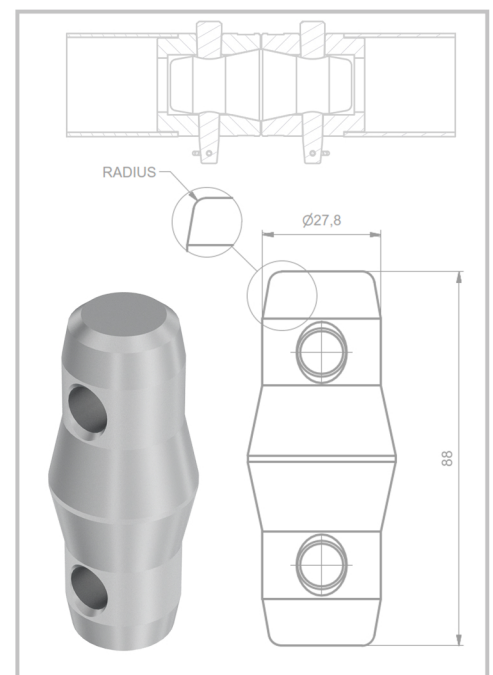
- edges rounded with chamfer
- length of 80 mm

Connection Type U



- edges rounded with radius
- dot in the middle
- length of 80 mm

Connection Type F



- edges rounded with radius
- flat ring in the middle
- length of 88 mm