



Loudspeakers

WB2

Wall bracket for Cuboid 10 and Cuboid 12



Optimal Audio



FEATURES

- Vertical and horizontal tilt and pan
- Weatherised for outdoor installation
- Available in black (WB2B)

APPLICATIONS

- Installation of Cuboid 10 and Cuboid 12 loudspeakers

CONTENTS

- 1 x WB2
- 4 x M8x20 counter-sunk socket head

TECHNICAL SPECIFICATIONS

- Weight 1.26kg (2.771lbs)
- Material Weatherised polyester powder coated steel



Black
Paint Finish



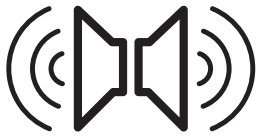
1.26
kg

2.771
lbs

Weight

optimal-audio.co.uk

© 2023. Optimal Audio Group Ltd.



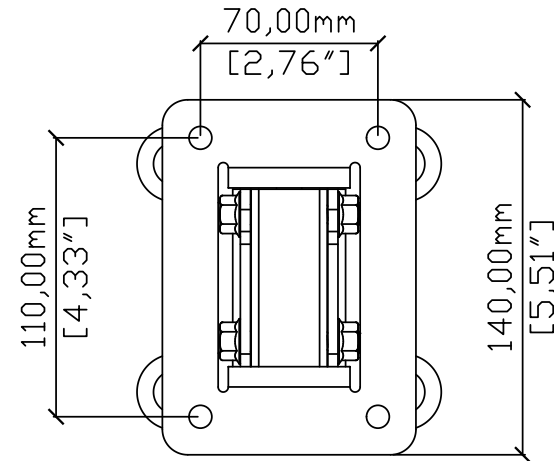
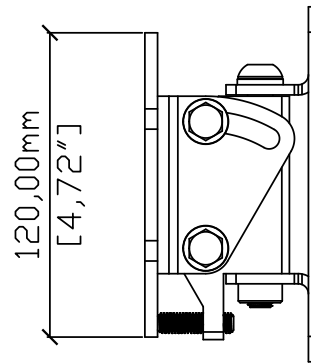
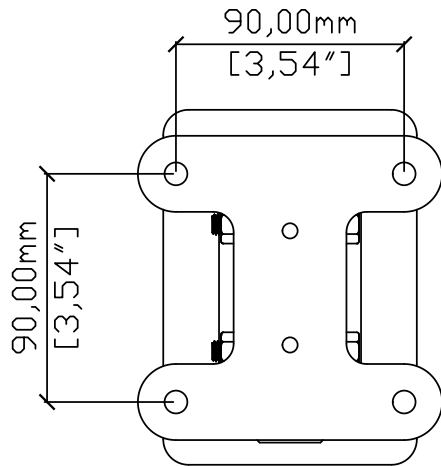
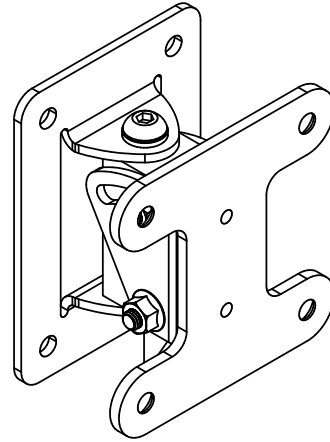
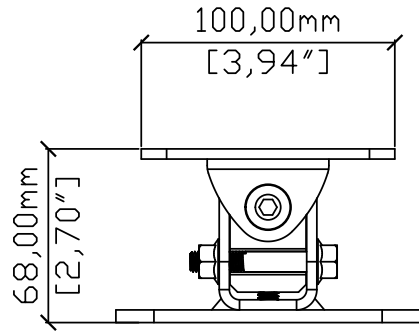
Loudspeakers

WB2

Wall bracket for Cuboid 10 and Cuboid 12



Optimal Audio



optimal-audio.co.uk

© 2023. Optimal Audio Group Ltd.