

Specifications

Main unit

Power supply		AC 100V–240V, 50Hz/60Hz	
Power consumption ¹	Maximum power consumption		1,100 W (11.2–4.6A) (1,120VA) (The power consumption is 1,070 W at 200–240V)
	On-mode power consumption [OPERATING MODE]	[Normal]	1,050 W (100–120V), 1,000 W (200–240V)
		[QUIET]	630 W (100–120V), 610 W (200–240V)
Standby mode power consumption	[Normal]	10 W When [QUICK STARTUP] is set to [OFF], and <DIGITAL LINK> and <DC OUT> terminal is not in use.	
	[Eco]	0.5 W	
BTU value		Max 3,754 BTU	
LCD panel	Size		25.4 mm [1.0 in] diagonal (16:10 aspect ratio)
	Display system		Transparent LCD panel (x 3, R/G/B)
	Number of pixels		2,304,000 (1920 x 1200)
Refresh rate		60 Hz Refresh rate varies depending on scanning frequency.	
Light source		Laser Diode	
Light output ^{1,9}	[OPERATING MODE]	[Normal]	20,000 lm
		[Quiet]	14,000 lm
Time until light output declines to 50% ²	[OPERATING MODE]	[Normal]	20,000 hours
		[Quiet]	20,000 hours
Filter Replacement Cycle ¹⁰		20,000 hours	
Resolution		1920 x 1200 pixels	
Contrast ratio ¹		3,000,000:1 (all white/all black) ([Picture Mode]: [Dynamic], [Dynamic Contrast]: [3], [Input signal]: [HDMI])	
Screen size		2.03–15.24 m [80–600 in], 16:10 aspect ratio 2.54–10.16 m [100–400 in] (with ET-EMU100) 16:10 aspect ratio	
Center to corner zone ratio ¹		85%	
Lens		Optional (no lens included with this model)	
Lens shift (from the origin point of the lens mounter)		<vertical> (Max) ±60 % , <horizontal> (Max) ±20 % (powered) <vertical> (Max) +50 %/-20% , <horizontal> (Max) ±20 % (with ET-EMU100)(powered) <vertical> (Max) ±40 % , <horizontal> (Max) ±19 % (with ET-EMW200)(powered) <vertical> (Max) ±50 % , <horizontal> (Max) ±20 % (with ET-EMW300)(powered)	
Installation		Ceiling/floor, front/rear, free 360-degree installation	
Compatible Signal	HDMI signal input	Video signal resolution: 480/60p, 576/50p to 4096 x 2160 Computer signal resolution: 640 x 480 to 3440 x 1440 (non-interlace) Dot clock frequency: 25 MHz to 594 MHz	
	DIGITAL LINK signal input	Video signal resolution: 480/60p, 576/50p to 4096 x 2160 Computer signal resolution: 640 x 480 to 1920 x 1200 (non-interlace) Dot clock frequency: 25 MHz to 297 MHz	
	SDI signal input	HD-SDI signal, 3G-SDI signal	
Terminals	<HDMI in 1> terminal	HDMI 19-pin x 2 Compatible with HDCP 2.3, Deep Color, 4K/60p signal input ³ , CEC supported ⁴	
	<SDI IN> terminal	BNC x 1 3G/HD-SDI input	
	<SERIAL/MULTI SYNC IN> terminal	D-sub 9-pin (female) x 1 for external control (RS-232C compliant)	
	<SERIAL/MULTI SYNC OUT> terminal	D-sub 9-pin (male) x 1 for link control (RS-232C compliant)	
	<REMOTE 1 IN> terminal	D-sub 9-pin (female) x 1 for external control (parallel)	
	<REMOTE 2 IN> terminal	M3 x 1 for wired remote control	
	<REMOTE 2 OUT> terminal	M3 x 1 for link control (for wired remote control)	
	<DIGITAL LINK> terminal	RJ-45 x 1 for network and DIGITAL LINK connections (HDBaseT™ compliant), PLink (class 2) compatible, 100Base-TX, Art-Net compatible, HDCP 2.3 compatible, Deep Color compatible, 4K/60p signal input ³	
<LAN> terminal	RJ-45 x 1 for network connection, PLink™(class 2) compatible, 10Base-T/100Base-TX, Art-Net compatible		

Terminals	<DC OUT> terminal	USB Connector (Type A) x 1 for power supply (DC 5V, maximum 2A)
	<USB> terminal	USB Connector (Type A) x 1 for connecting USB memory and optional Wireless Module AJ-WM50 Series
Supported Internet Protocol version		IPv4 IPv6 ¹¹
Power cord length		3.0 m [9 ft 10 in], 2.0 m [6 ft 7 in] (for Taiwan)
Cabinet materials		Molded plastic
Dimensions (without lens)	Width	650 mm [25 19/32 in]
	Height	211 mm [8 5/16 in] (with the feet at shortest position) 185 mm [7 9/32 in] (excluding the feet and protrusions)
	Depth	440 mm [17 5/16 in] (excluding protrusions)
Weight ⁵		Approx. 23.0 kg (50.7 lbs) (without lens)
Operating noise ¹		42 dB (NORMAL) 36 dB (QUIET)
Laser Classification	Laser Class	Class 1 (IEC/EN 60825-1:2014) China: Class 4 (IEC60825-1:2007)
	Risk Group	Risk Group 2 (IEC/EN 62471-5:2015) ET-EMU100/ET-EMW200/ET-EMW300 ET-EMW400/ET-EMW500/ET-EMS650
		Risk Group 3 (IEC/EN 62471-5:2015) ET-EMT750/ET-EMT850
Operating environment	Operating environment temperature	0 °C (32 °F) to 45 °C (113 °F) ⁶
	Operating environment humidity	10% to 80% (no condensation)

Remote control unit

Power supply	3V DC (AAA/R03/LR03 battery x 2)
Operation range	Approx. 30 m [98 ft 5 in] (when operated directly in front of signal receptor)
Dimensions (W x H x D)	48 x 145 x 27 mm [1 7/8 x 5 23/32 x 1 1/16 in]
Weight ⁵	Approx. 102 g (3.60 ozs.) including batteries

Supplied accessories

Wireless/wired remote control unit (x 1)
Power cord (3.0 m x 1) (x 2 for Europe and Asia model)
Batteries for remote control (R03/AAA type x 2)
Lens fixing screw (x 4)

Other Applications

Multi Monitoring and Control Software (for Windows)
Logo Transfer Software (for Windows)
Smart Projector Control (for iOS/Android)
Geometry Manager Pro (for Windows)
Projector Network Setup Software (for Windows)

Supported services of Control via LAN

Art-net
PJLink™ (class 2)
Crestron Connected™ V2
Crestron XiO Cloud™
AMX Device Discovery

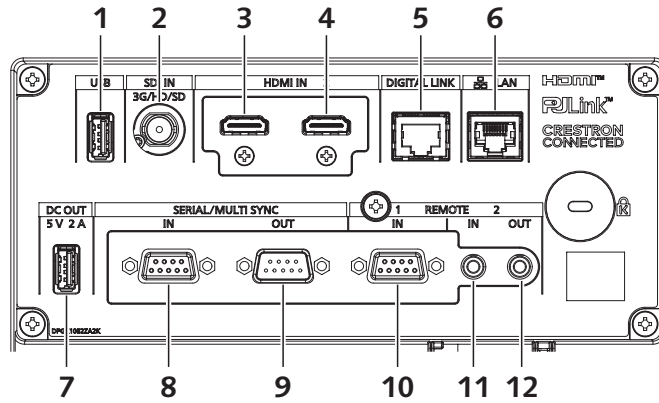
Optional accessories

Lens	Zoom lens	ET-EMU100
		ET-EMW200
		ET-EMW300
		ET-EMW400
		ET-EMW500
		ET-EMS650
		ET-EMT750
		ET-EMT850
Ceiling Mount Bracket	for high ceilings	ET-PKD120H
	for low ceilings	ET-PKD120S
	with 6-axis adjustment mechanism for high ceiling	ET-PKD130H
Attachment for ceiling mount bracket		ET-PKE301B ⁷
Replacement Filter Unit		ET-RFM100
Digital Interface Box		ET-YFB100G *ET-YFB100G is not compatible with 4K signals.
DIGITAL LINK switcher		ET-YFB200G *ET-YFB200G is not compatible with 4K signals.
Wireless Presentation System (PressIT)		TY-WPS1 (Basic set)
Early Warning Software		ET-SWA100 series ⁸
NFC Upgrade Kit		ET-NUK10 *Product availability may vary by country or region.
Wireless Module		AJ-WM50 Series Product availability may vary by country or region. The suffix at the end of the model number is omitted. Operating Temperature: 0–40 °C (32–104 °F).

Weights and dimensions shown are approximate. Specifications subject to change without notice.

- 1 Measurement, measuring conditions, and method of notation all comply with ISO/IEC 21118: 2020 international standards. Value is average of all products when shipped.
- 2 Around this time, light output will have decreased by approximately 50 %. IEC62087: 2008 Broadcast contents, [Dynamic Contrast]: [3] , under conditions with 30 °C (86 °F), 700 m (2,297 ft) above sea level, and 0.15 mg/m³ of particulate matter. Panasonic recommends cleaning or checkup at point of purchase after about 20,000 hours. Light-source lifetime may be reduced depending on environmental conditions.
Replacement of parts other than the light source may be required in a shorter period. Estimated maintenance time varies depending on environment.
- 3 4K/60p and 4K/50p input signals are converted to projector's resolution (1920 x 1200), YPbPr 4:2:0 format only for signals input via DIGITAL LINK.
- 4 Depending on the connected CEC-compatible device, the link control may not operate normally.
- 5 Average value. May differ depending on models.
- 6 Note that projector cannot be used at altitudes 2,700 m (8,858 ft) or higher above sea level. In the following operating environments, light output may be reduced to protect the projector; when the projector is used at altitudes below 1,400 m (4,593 ft) and ambient temperature is 35 °C (95 °F) or higher; when the projector is used at altitudes between 1,400 m (4,593 ft) and 2,700 m (8,858 ft) exclusive and ambient temperature is 30 °C (86 °F) or higher.
The operating environment temperature should be between 0 °C (32 °F) and 40 °C (104 °F) when the optional Wireless Module (Model No.: AJ-WM50 Series) is attached.
- 7 When the projector is mounted to the existing Ceiling Mount Bracket (in combination with the Model No.: ET-PKD120H (for High Ceilings) or - ET-PKD120S (for Low Ceilings), and the Model No.: ET-PKE300B (Projector Mount Bracket)), it is necessary to replace the drop-prevention - wire rope with the one corresponding to this projector. Consult your dealer.
Drop-prevention set (service model no.: DPPW1004ZA/X1)
- 8 The suffix of the Model No. differs according to the license type.
- 9 This is the value when the Zoom Lens (Model No.: ET-EMS650) is used. The value varies depending on the lens.
- 10 Under the dust conditions of 0.15 mg/m³.
Filter cleaning cycle varies depending on environment. Filter can be washed and reused up to two times.
- 11 Optional wireless module AJ-WM50 does not support IPv6.

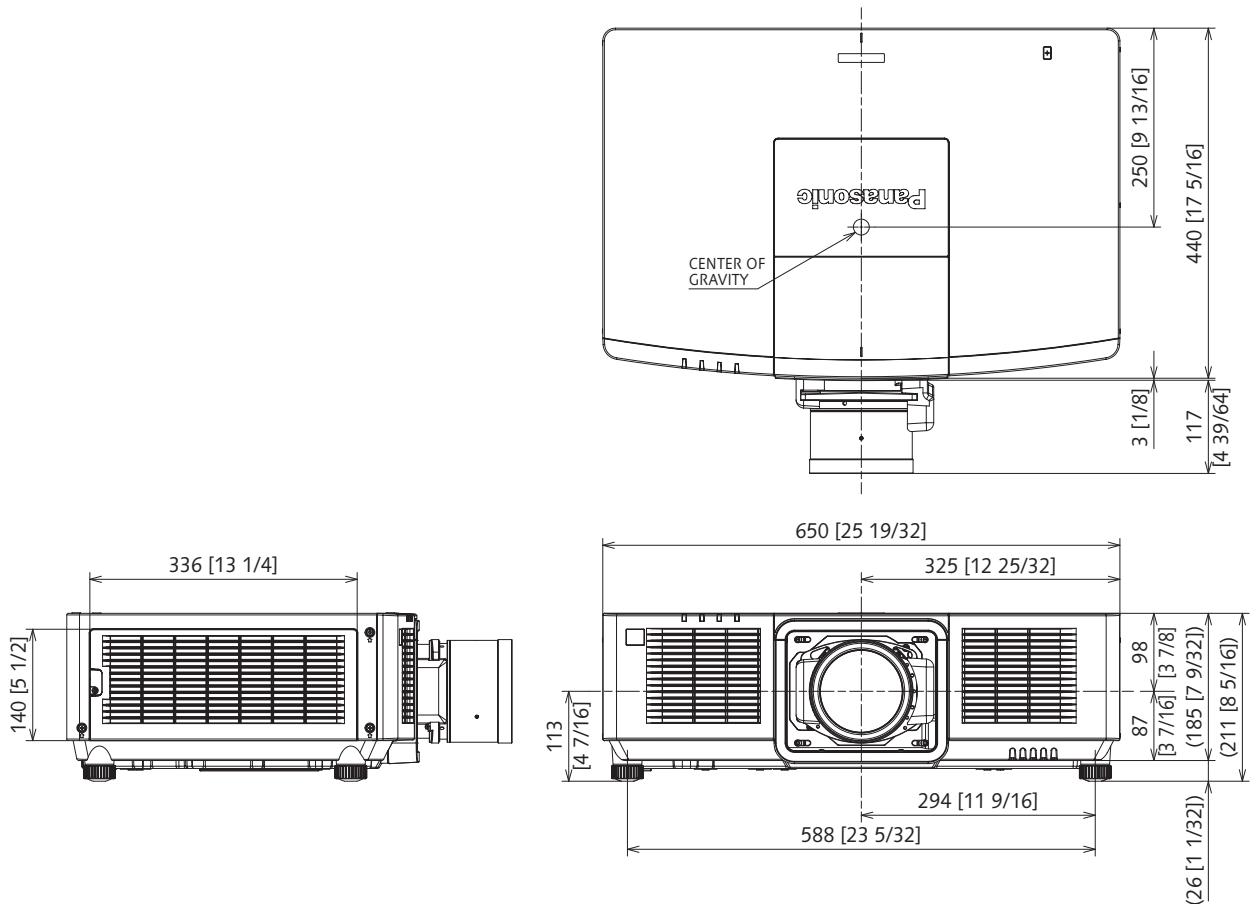
Terminals



1	<USB> terminal	7	<DC OUT> terminal
2	<SDI IN> terminal	8	<SERIAL/MULTI SYNC IN> terminal
3	<HDMI IN 1> terminal	9	<SERIAL/MULTI SYNC OUT> terminal
4	<HDMI 2 IN> terminal	10	<REMOTE 1 IN> terminal
5	<DIGITAL LINK> terminal	11	<REMOTE 2 IN> terminal
6	<LNA> terminal	12	<REMOTE 2 OUT> terminal

Dimensions

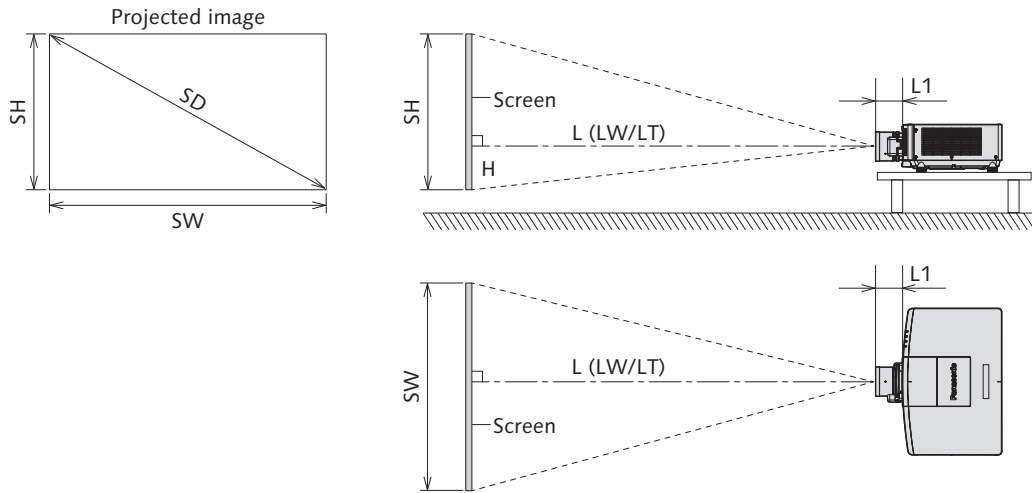
unit : mm [inch]
NOTE: This illustration is not drawn to scale.



* The above dimensions are obtained when the ET-EMS650 zoom lens (optional) is attached.
* Actual dimensions may differ depending on the product.

Projected image and throw distance

Install the projector referring to the projected image size and projection distance. Image size and image position can be adjusted in accordance with the screen size and screen position.



Note

- This illustration is prepared on the assumption that the projected image size and position have been aligned to fit full in the screen.
- This illustration is not drawn to scale.
- The values are approximate.

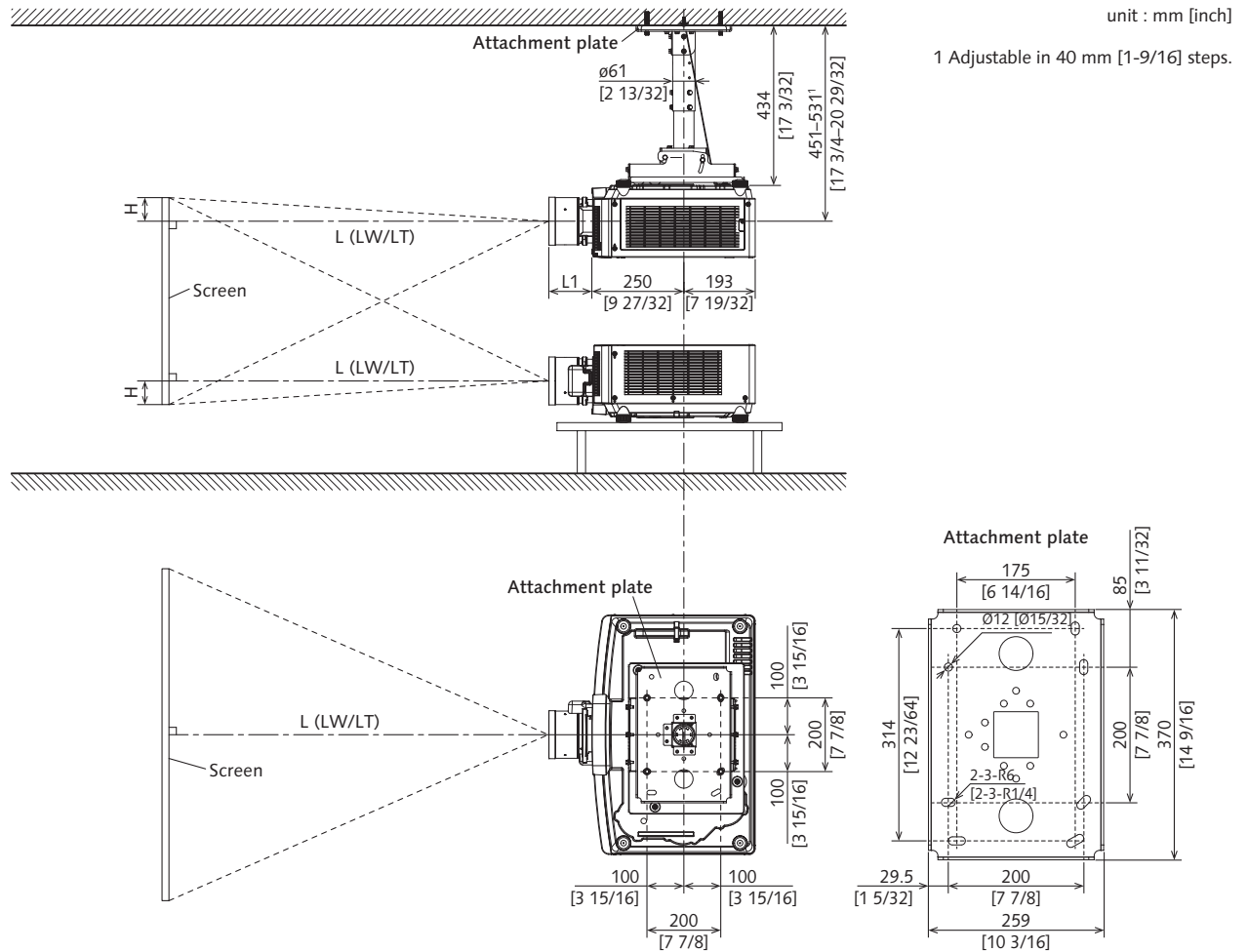
SH	Projected image height
SW	Projected image width
SD	Projected image size
H	Distance from the lens center to the bottom edge of the projected image
L	Projection distance (distance from the front end of the projection lens to the screen)
	LW Minimum projection distance when the Zoom Lens is used
	LT Maximum projection distance when the Zoom Lens is used
L1	Lens protrusion dimension (distance from the front surface of the projector to the front end of the projection lens)

unit : m

Projection lens Model No.	Lens protrusion dimension (L1) (approximate value)
ET-EMU100	0.346
ET-EMW200	0.152
ET-EMW300	0.121
ET-EMW400	0.121
ET-EMW500	0.122
ET-EMS650	0.117
ET-EMT750	0.166
ET-EMT850	0.173

Standard setting position

Illustrations show the projector installed using optional ceiling mount bracket ET-PKD120H and bracket assembly ET-PKE301B.



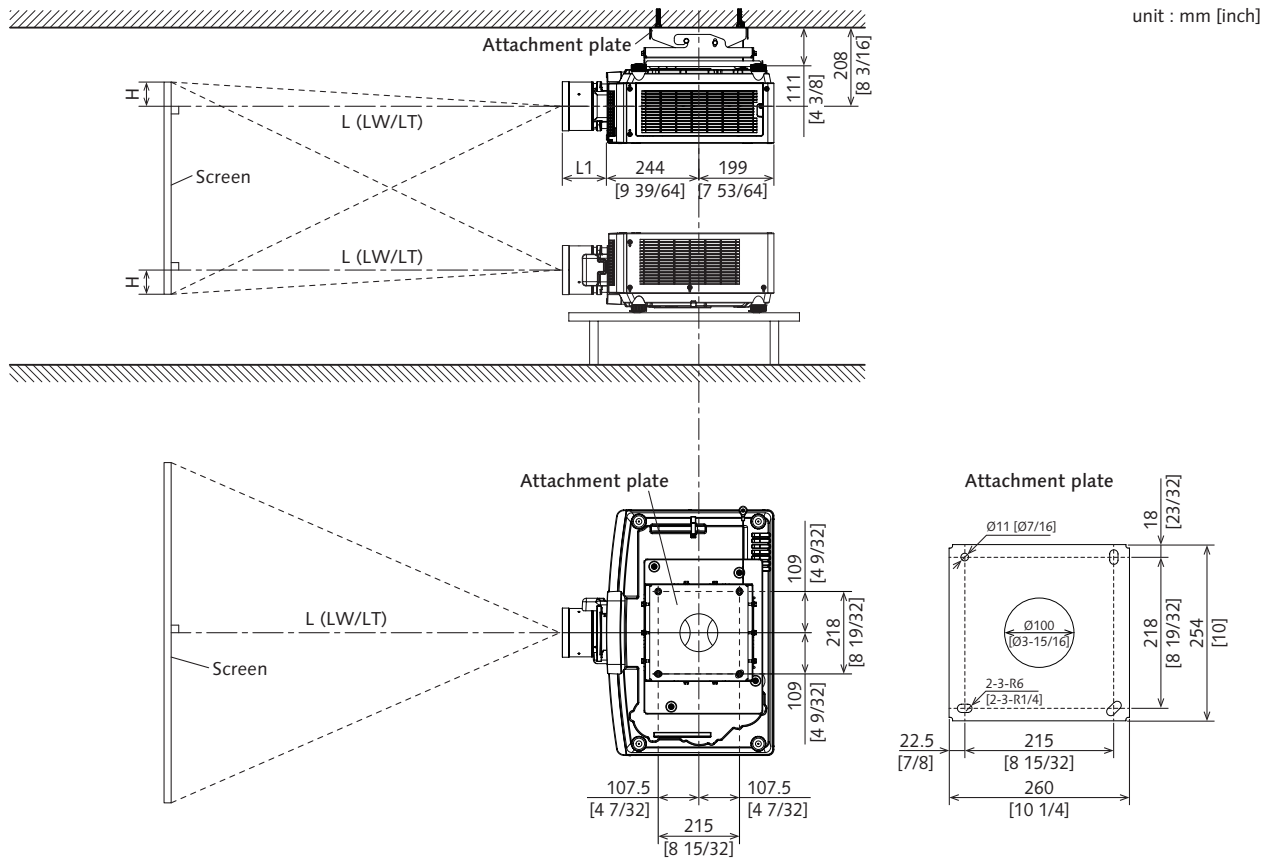
Caution

- All construction work should be done by a qualified technician.
- When mounting to the ceiling, use the special mounting bracket. Furthermore, in order to prevent it from falling down from the ceiling, use the supplied wire on the mounting bracket.

Note

- This illustration is prepared on the assumption that the projected image size and position have been aligned to fit full in the screen.
- This illustration is not drawn to scale.
- The values are approximate.

Illustrations show the projector installed using optional ceiling mount bracket ET-PKD120S and bracket assembly ET-PKE301B.



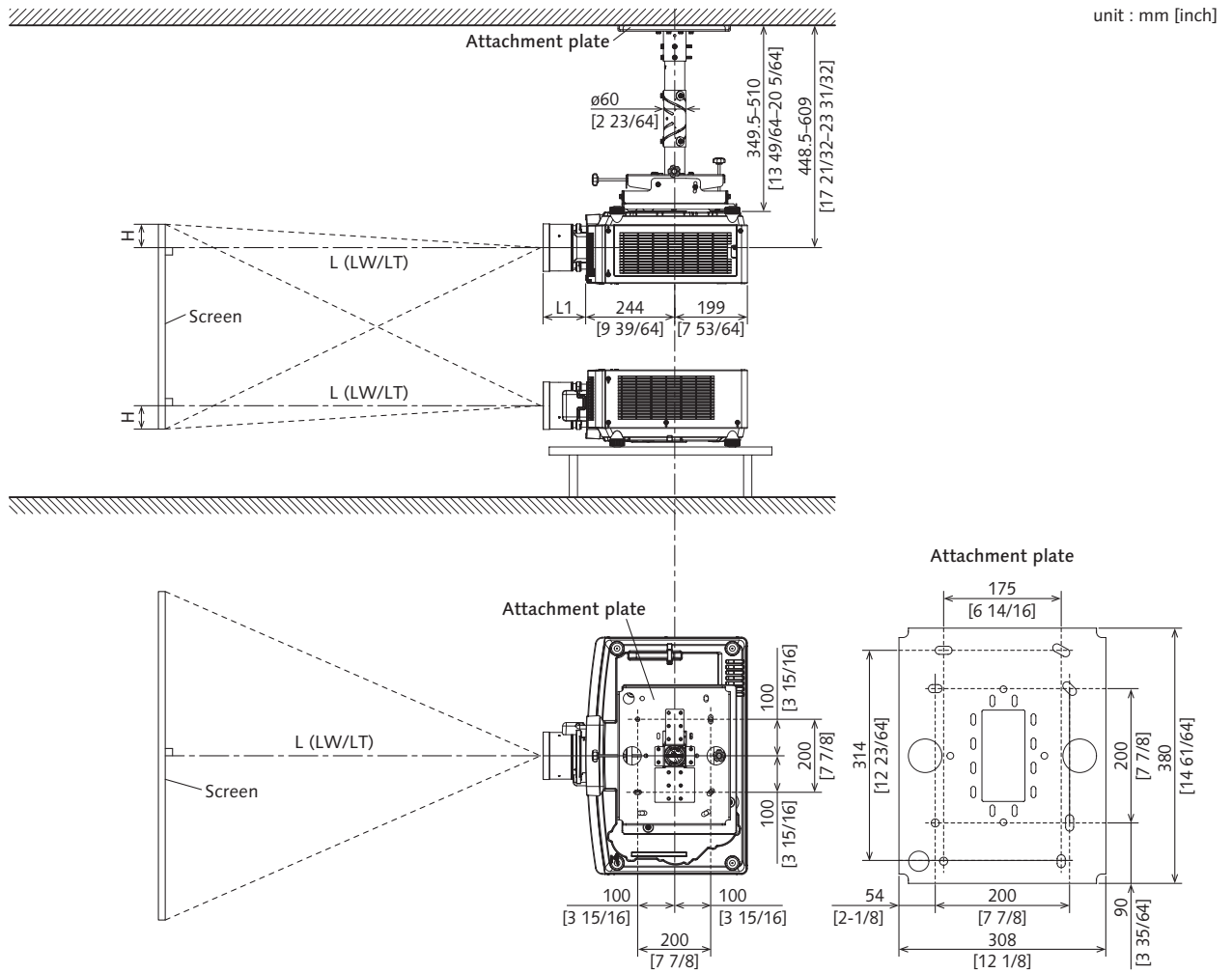
Caution

- All construction work should be done by a qualified technician.
- When mounting to the ceiling, use the special mounting bracket. Furthermore, in order to prevent it from falling down from the ceiling, use the supplied wire on the mounting bracket.

Note

- This illustration is prepared on the assumption that the projected image size and position have been aligned to fit full in the screen.
- This illustration is not drawn to scale.
- The values are approximate.

Illustrations show the projector installed using optional ceiling mount bracket ET-PKD130H and bracket assembly ET-PKE301B.



Caution

- All construction work should be done by a qualified technician.
- When mounting to the ceiling, use the special mounting bracket. Furthermore, in order to prevent it from falling down from the ceiling, use the supplied wire on the mounting bracket.

Note

- This illustration is prepared on the assumption that the projected image size and position have been aligned to fit full in the screen.
- This illustration is not drawn to scale.
- The values are approximate.

Projection distance

Screen aspect ratio 16:10

Unit: meters

Lens type			Zoom Lens											
Projection Lens Model No.			ET-EMU100		ET-EMW200		ET-EMW300		ET-EMW400		ET-EMW500		ET-EMS650	
Throw ratio ¹			0.330-0.353:1		0.480-0.550:1		0.550-0.690:1		0.690-0.950:1		0.950-1.36:1		1.35-2.10:1	
Screen size			Distance to screen (L)											
Diagonal (SD) m / inches	Height (SH)	Width (SW)	min. (LW)	max. (LT)	min. (LW)	max. (LT)	min. (LW)	max. (LT)	min. (LW)	max. (LT)	min. (LW)	max. (LT)	min. (LW)	max. (LT)
2.03/ 80	1.077	1.723	-	-	0.81	0.95	0.93	1.19	1.17	1.64	1.61	2.34	2.30	3.64
2.29/ 90	1.212	1.939	-	-	0.91	1.07	1.05	1.34	1.32	1.85	1.82	2.64	2.59	4.10
2.54/100	1.346	2.154	0.70	0.75	1.03	1.19	1.18	1.49	1.48	2.06	2.03	2.93	2.89	4.56
3.05/120	1.615	2.585	0.84	0.91	1.23	1.44	1.41	1.80	1.78	2.48	2.44	3.53	3.47	5.49
3.81/150	2.019	3.231	1.06	1.14	1.55	1.81	1.78	2.26	2.24	3.12	3.07	4.43	4.35	6.87
5.08/200	2.692	4.308	1.43	1.54	2.08	2.44	2.38	3.02	3.00	4.17	4.11	5.92	5.82	9.17
6.35/250	3.365	5.385	1.79	1.93	2.62	3.06	2.99	3.79	3.76	5.23	5.15	7.42	7.29	11.47
7.62/300	4.039	6.462	2.16	2.32	3.15	3.68	3.60	4.56	4.52	6.28	6.19	8.91	8.76	13.78
8.89/350	4.712	7.539	2.52	2.71	3.68	4.30	4.20	5.32	5.28	7.34	7.23	10.40	10.23	16.08
10.16/400	5.385	8.616	2.89	3.11	4.21	4.92	4.81	6.09	6.05	8.39	8.27	11.90	11.69	18.38
12.70/500	6.731	10.770	-	-	5.28	6.16	6.02	7.62	7.57	10.50	10.34	14.89	14.63	22.99
15.24/600	8.077	12.923	-	-	6.34	7.40	7.23	9.15	9.10	12.61	12.42	17.87	17.57	27.59

Unit: meters

Lens type			Zoom Lens				Height position(H)			
Projection Lens Model No.			ET-EMT750		ET-EMT850		ET-EMU100	ET-EMW200	ET-EMW300	ET-EMW400 ET-EMW500 ET-EMS650 ET-EMT750 ET-EMT850
Throw ratio ¹			2.10-4.14:1		4.14-7.40:1					
Screen size			Distance to screen (L)							
Diagonal (SD) m / inches	Height (SH)	Width (SW)	min. (LW)	max. (LT)	min. (LW)	max. (LT)				
2.03/ 80	1.077	1.723	3.55	7.15	7.12	12.88	-	0.11 - 0.97	0.00 - 1.08	-0.11 - 1.18
2.29/ 90	1.212	1.939	4.01	8.05	7.97	14.45	-	0.12 - 1.09	0.00 - 1.21	-0.12 - 1.34
2.54/100	1.346	2.154	4.50	8.90	8.90	16.00	0.00 - 0.94	0.13 - 1.21	0.00 - 1.35	-0.13 - 1.48
3.05/120	1.615	2.585	5.38	10.77	10.51	19.17	0.00 - 1.13	0.16 - 1.45	0.00 - 1.62	-0.16 - 1.78
3.81/150	2.019	3.231	6.75	13.49	13.06	23.89	0.00 - 1.41	0.20 - 1.82	0.00 - 2.02	-0.20 - 2.22
5.08/200	2.692	4.308	9.04	18.03	17.31	31.75	0.00 - 1.88	0.27 - 2.42	0.00 - 2.69	-0.27 - 2.96
6.35/250	3.365	5.385	11.33	22.56	21.56	39.61	0.00 - 2.36	0.34 - 3.03	0.00 - 3.37	-0.34 - 3.70
7.62/300	4.039	6.462	13.61	27.09	25.80	47.47	0.00 - 2.83	0.40 - 3.63	0.00 - 4.04	-0.40 - 4.44
8.89/350	4.712	7.539	15.90	31.63	30.05	55.33	0.00 - 3.30	0.47 - 4.24	0.00 - 4.71	-0.47 - 5.18
10.16/400	5.385	8.616	18.19	36.16	34.30	63.20	0.00 - 3.77	0.54 - 4.85	0.00 - 5.38	-0.54 - 5.92
12.70/500	6.731	10.770	22.76	45.22	42.79	78.92	-	0.67 - 6.06	0.00 - 6.73	-0.67 - 7.40
15.24/600	8.077	12.923	27.33	54.29	51.28	94.64	-	0.81 - 7.27	0.00 - 8.08	-0.81 - 8.88

- ¹ The throw ratio is based on the value during projection with the projected image size of 2.54 m [100 in].
- The value for L (distance to screen) varies slightly within ±5% depending on the zoom lens characteristics.
 - The zoom lens characteristics may cause slight image distortion.
 - When vertical keystone correction is used, the image is corrected in the direction that reduces its projected size.
 - The brightness varies depending on the zoom setting.

Screen aspect ratio 16:10

Unit: feet

Lens type			Zoom Lens											
Projection Lens Model No.			ET-EMU100		ET-EMW200		ET-EMW300		ET-EMW400		ET-EMW500		ET-EMS650	
Throw ratio ¹			0.330-0.353:1		0.480-0.550:1		0.550-0.690:1		0.690-0.950:1		0.950-1.36:1		1.35-2.10:1	
Screen size			Distance to screen (L)											
Diagonal (SD) m / inches	Height (SH)	Width (SW)	min. (LW)	max. (LT)	min. (LW)	max. (LT)	min. (LW)	max. (LT)	min. (LW)	max. (LT)	min. (LW)	max. (LT)	min. (LW)	max. (LT)
2.03/ 80	3.53	5.65	-	-	2.66	3.12	3.05	3.90	3.84	5.38	5.28	7.68	7.55	11.94
2.29/ 90	3.98	6.36	-	-	2.99	3.51	3.44	4.40	4.33	6.07	5.97	8.66	8.50	13.45
2.54/100	4.42	7.07	2.30	2.46	3.38	3.90	3.87	4.89	4.86	6.76	6.66	9.61	9.48	14.96
3.05/120	5.30	8.48	2.76	2.99	4.04	4.72	4.63	5.91	5.84	8.14	8.01	11.58	11.38	18.01
3.81/150	6.62	10.60	3.48	3.74	5.09	5.94	5.84	7.41	7.35	10.24	10.07	14.53	14.27	22.54
5.08/200	8.83	14.13	4.69	5.05	6.82	8.01	7.81	9.91	9.84	13.68	13.48	19.42	19.09	30.08
6.35/250	11.04	17.67	5.87	6.33	8.60	10.04	9.81	12.43	12.34	17.16	16.90	24.34	23.92	37.63
7.62/300	13.25	21.20	7.09	7.61	10.33	12.07	11.81	14.96	14.83	20.60	20.31	29.23	28.74	45.21
8.89/350	15.46	24.73	8.27	8.89	12.07	14.11	13.78	17.45	17.32	24.08	23.72	34.12	33.56	52.76
10.16/400	17.67	28.27	9.48	10.20	13.81	16.14	15.78	19.98	19.85	27.53	27.13	39.04	38.35	60.30
12.70/500	22.08	35.33	-	-	17.32	20.21	19.75	25.00	24.84	34.45	33.92	48.85	48.00	75.43
15.24/600	26.50	42.40	-	-	20.80	24.28	23.72	30.02	29.86	41.37	40.75	58.63	57.64	90.52

Unit: feet

Lens type			Zoom Lens				Height position(H)			
Projection Lens Model No.			ET-EMT750		ET-EMT850		ET-EMU100	ET-EMW200	ET-EMW300	ET-EMW400 ET-EMW500 ET-EMS650 ET-EMT750 ET-EMT850
Throw ratio ¹			2.10-4.14:1		4.14-7.40:1					
Screen size			Distance to screen (L)				ET-EMU100	ET-EMW200	ET-EMW300	ET-EMW400 ET-EMW500 ET-EMS650 ET-EMT750 ET-EMT850
Diagonal (SD) m / inches	Height (SH)	Width (SW)	min. (LW)	max. (LT)	min. (LW)	max. (LT)				
2.03/ 80	3.53	5.65	11.65	23.46	23.36	42.26	-	0.36 - 3.18	0.00 - 3.54	-0.36 - 3.87
2.29/ 90	3.98	6.36	13.16	26.41	26.15	47.41	-	0.39 - 3.58	0.00 - 3.97	-0.39 - 4.40
2.54/100	4.42	7.07	14.76	29.20	29.20	52.49	0.00 - 3.09	0.43 - 3.97	0.00 - 4.43	-0.43 - 4.86
3.05/120	5.30	8.48	17.65	35.33	34.48	62.89	0.00 - 3.71	0.52 - 4.76	0.00 - 5.31	-0.52 - 5.84
3.81/150	6.62	10.60	22.15	44.26	42.85	78.38	0.00 - 4.64	0.66 - 5.97	0.00 - 6.63	-0.66 - 7.28
5.08/200	8.83	14.13	29.66	59.15	56.79	104.17	0.00 - 6.18	0.89 - 7.94	0.00 - 8.83	-0.89 - 9.71
6.35/250	11.04	17.67	37.17	74.01	70.73	129.95	0.00 - 7.73	1.12 - 9.94	0.00 - 11.06	-1.12 - 12.14
7.62/300	13.25	21.20	44.65	88.88	84.64	155.74	0.00 - 9.27	1.31 - 11.91	0.00 - 13.25	-1.31 - 14.57
8.89/350	15.46	24.73	52.16	103.77	98.59	181.53	0.00 - 10.82	1.54 - 13.91	0.00 - 15.45	-1.54 - 16.99
10.16/400	17.67	28.27	59.68	118.63	112.53	207.35	0.00 - 12.37	1.77 - 15.91	0.00 - 17.65	-1.77 - 19.42
12.70/500	22.08	35.33	74.67	148.36	140.39	258.92	-	2.20 - 19.88	0.00 - 22.08	-2.20 - 24.28
15.24/600	26.50	42.40	89.66	178.11	168.24	310.49	-	2.66 - 23.85	0.00 - 26.51	-2.66 - 29.13

- ¹ The throw ratio is based on the value during projection with the projected image size of 2.54 m [100 in].
- The value for L (distance to screen) varies slightly within ±5% depending on the zoom lens characteristics.
 - The zoom lens characteristics may cause slight image distortion.
 - When vertical keystone correction is used, the image is corrected in the direction that reduces its projected size.
 - The brightness varies depending on the zoom setting.

Screen aspect ratio 16:9

Unit: meters

Lens type			Zoom Lens											
Projection Lens Model No.			ET-EMU100		ET-EMW200		ET-EMW300		ET-EMW400		ET-EMW500		ET-EMS650	
Throw ratio ¹			0.330-0.353:1		0.480-0.550:1		0.550-0.690:1		0.690-0.950:1		0.950-1.36:1		1.35-2.10:1	
Screen size			Distance to screen (L)											
Diagonal (SD) m / inches	Height (SH)	Width (SW)	min. (LW)	max. (LT)	min. (LW)	max. (LT)	min. (LW)	max. (LT)	min. (LW)	max. (LT)	min. (LW)	max. (LT)	min. (LW)	max. (LT)
2.03/ 80	0.996	1.771	-	-	0.83	0.97	0.96	1.22	1.20	1.69	1.66	2.41	2.37	3.75
2.29/ 90	1.121	1.992	-	-	0.94	1.10	1.08	1.38	1.36	1.90	1.87	2.71	2.67	4.22
2.54/100	1.245	2.214	0.72	0.77	1.06	1.22	1.21	1.53	1.52	2.12	2.09	3.02	2.97	4.69
3.05/120	1.494	2.657	0.87	0.93	1.27	1.48	1.46	1.85	1.83	2.56	2.51	3.63	3.57	5.64
3.81/150	1.868	3.321	1.09	1.18	1.60	1.87	1.83	2.32	2.30	3.21	3.15	4.56	4.48	7.06
5.08/200	2.491	4.428	1.47	1.58	2.14	2.50	2.45	3.11	3.08	4.29	4.22	6.09	5.99	9.43
6.35/250	3.113	5.535	1.84	1.98	2.69	3.14	3.07	3.90	3.87	5.37	5.29	7.63	7.49	11.79
7.62/300	3.736	6.641	2.22	2.39	3.24	3.78	3.70	4.68	4.65	6.46	6.36	9.16	9.00	14.16
8.89/350	4.358	7.748	2.59	2.79	3.78	4.42	4.32	5.47	5.43	7.54	7.43	10.70	10.51	16.53
10.16/400	4.981	8.855	2.97	3.20	4.33	5.06	4.94	6.26	6.22	8.62	8.50	12.23	12.02	18.89
12.70/500	6.226	11.069	-	-	5.42	6.33	6.19	7.83	7.78	10.79	10.63	15.30	15.04	23.63
15.24/600	7.472	13.283	-	-	6.52	7.61	7.43	9.41	9.40	12.96	12.77	18.37	18.06	28.36

Unit: meters

Lens type			Zoom Lens				Height position(H)			
Projection Lens Model No.			ET-EMT750		ET-EMT850		ET-EMU100	ET-EMW200	ET-EMW300	ET-EMW400 ET-EMW500 ET-EMS650 ET-EMT750 ET-EMT850
Throw ratio ¹			2.10-4.15:1		4.12-7.40:1					
Screen size			Distance to screen (L)							
Diagonal (SD) m / inches	Height (SH)	Width (SW)	min. (LW)	max. (LT)	min. (LW)	max. (LT)				
2.03/ 80	0.996	1.771	3.65	7.35	7.31	13.23	-	0.06 - 0.94	-0.06 - 1.05	-0.17 - 1.16
2.29/ 90	1.121	1.992	4.12	8.28	8.18	14.84	-	0.06 - 1.06	-0.06 - 1.18	-0.19 - 1.31
2.54/100	1.245	2.214	4.60	9.20	9.10	16.40	-0.07 - 0.90	0.07 - 1.18	-0.07 - 1.31	-0.21 - 1.45
3.05/120	1.494	2.657	5.53	11.08	10.80	19.69	-0.08 - 1.08	0.08 - 1.41	-0.08 - 1.58	-0.25 - 1.74
3.81/150	1.868	3.321	6.94	13.87	13.42	24.54	-0.10 - 1.35	0.10 - 1.76	-0.10 - 1.97	-0.31 - 2.18
5.08/200	2.491	4.428	9.29	18.53	17.78	32.62	-0.14 - 1.80	0.14 - 2.35	-0.14 - 2.63	-0.41 - 2.90
6.35/250	3.113	5.535	11.64	23.19	22.15	40.70	-0.17 - 2.25	0.17 - 2.94	-0.17 - 3.28	-0.52 - 3.63
7.62/300	3.736	6.641	13.99	27.85	26.51	48.78	-0.21 - 2.70	0.21 - 3.53	-0.21 - 3.94	-0.62 - 4.36
8.89/350	4.358	7.748	16.35	32.51	30.88	56.86	-0.24 - 3.15	0.24 - 4.11	-0.24 - 4.60	-0.73 - 5.08
10.16/400	4.981	8.855	18.70	37.17	35.24	64.94	-0.28 - 3.60	0.28 - 4.70	-0.28 - 5.25	-0.83 - 5.81
12.70/500	6.226	11.069	23.40	46.49	43.97	81.11	-	0.35 - 5.88	-0.35 - 6.57	-1.04 - 7.26
15.24/600	7.472	13.283	28.10	55.80	52.70	97.27	-	0.42 - 7.06	-0.42 - 7.89	-1.25 - 8.72

- ¹ The throw ratio is based on the value during projection with the projected image size of 2.54 m [100 in].
- The value for L (distance to screen) varies slightly within ±5% depending on the zoom lens characteristics.
 - The zoom lens characteristics may cause slight image distortion.
 - When vertical keystone correction is used, the image is corrected in the direction that reduces its projected size.
 - The brightness varies depending on the zoom setting.

Screen aspect ratio 16:9

Unit: feet

Lens type			Zoom Lens											
Projection Lens Model No.			ET-EMU100		ET-EMW200		ET-EMW300		ET-EMW400		ET-EMW500		ET-EMS650	
Throw ratio ¹			0.330-0.353:1		0.480-0.550:1		0.550-0.690:1		0.690-0.950:1		0.950-1.36:1		1.35-2.10:1	
Screen size			Distance to screen (L)											
Diagonal (SD) m / inches	Height (SH)	Width (SW)	min. (LW)	max. (LT)	min. (LW)	max. (LT)	min. (LW)	max. (LT)	min. (LW)	max. (LT)	min. (LW)	max. (LT)	min. (LW)	max. (LT)
2.03/ 80	3.27	5.81	-	-	2.72	3.18	3.15	4.00	3.94	5.54	5.45	7.91	7.78	12.30
2.29/ 90	3.68	6.54	-	-	3.08	3.61	3.54	4.53	4.46	6.23	6.14	8.89	8.76	13.84
2.54/100	4.08	7.26	2.36	2.53	3.48	4.00	3.97	5.02	4.99	6.96	6.86	9.91	9.74	15.39
3.05/120	4.90	8.72	2.85	3.05	4.17	4.86	4.79	6.07	6.00	8.40	8.23	11.91	11.71	18.50
3.81/150	6.13	10.90	3.58	3.87	5.25	6.14	6.00	7.61	7.55	10.53	10.33	14.96	14.70	23.16
5.08/200	8.17	14.53	4.82	5.18	7.02	8.20	8.04	10.20	10.10	14.07	13.84	19.98	19.65	30.94
6.35/250	10.21	18.16	6.04	6.50	8.83	10.30	10.07	12.80	12.70	17.62	17.36	25.03	24.57	38.68
7.62/300	12.26	21.79	7.28	7.84	10.63	12.40	12.14	15.35	15.26	21.19	20.87	30.05	29.53	46.46
8.89/350	14.30	25.42	8.50	9.15	12.40	14.50	14.17	17.95	17.81	24.74	24.38	35.10	34.48	54.23
10.16/400	16.34	29.05	9.74	10.50	14.21	16.60	16.21	20.54	20.41	28.28	27.89	40.12	39.44	61.97
12.70/500	20.43	36.32	-	-	17.78	20.77	20.31	25.69	25.52	35.40	34.87	50.20	49.34	77.53
15.24/600	24.51	43.58	-	-	21.39	24.97	24.38	30.87	30.84	42.52	41.90	60.27	59.25	93.04

Unit: feet

Lens type			Zoom Lens				Height position(H)			
Projection Lens Model No.			ET-EMT750		ET-EMT850		ET-EMU100	ET-EMW200	ET-EMW300	ET-EMW400 ET-EMW500 ET-EMS650 ET-EMT750 ET-EMT850
Throw ratio ¹			2.10-4.15:1		4.12-7.40:1					
Screen size			Distance to screen (L)							
Diagonal (SD) m / inches	Height (SH)	Width (SW)	min. (LW)	max. (LT)	min. (LW)	max. (LT)				
2.03/ 80	3.27	5.81	11.97	24.11	23.98	43.40	-	0.20 - 3.08	-0.20 - 3.44	-0.56 - 3.81
2.29/ 90	3.68	6.54	13.52	27.17	26.84	48.69	-	0.20 - 3.48	-0.20 - 3.87	-0.62 - 4.30
2.54/100	4.08	7.26	15.09	30.18	29.86	53.81	-0.23 - 2.95	0.23 - 3.87	-0.23 - 4.30	-0.69 - 4.76
3.05/120	4.90	8.72	18.14	36.35	35.43	64.60	-0.26 - 3.54	0.26 - 4.63	-0.26 - 5.18	-0.82 - 5.71
3.81/150	6.13	10.90	22.77	45.50	44.03	80.51	-0.33 - 4.43	0.33 - 5.77	-0.33 - 6.46	-1.02 - 7.15
5.08/200	8.17	14.53	30.48	60.79	58.33	107.02	-0.46 - 5.90	0.46 - 7.71	-0.46 - 8.63	-1.35 - 9.51
6.35/250	10.21	18.16	38.19	76.08	72.67	133.53	-0.56 - 7.38	0.56 - 9.65	-0.56 - 10.76	-1.71 - 11.91
7.62/300	12.26	21.79	45.90	91.37	86.97	160.04	-0.69 - 8.85	0.69 - 11.58	-0.69 - 12.93	-2.03 - 14.30
8.89/350	14.30	25.42	53.64	106.66	101.31	186.55	-0.79 - 10.33	0.79 - 13.48	-0.79 - 15.09	-2.39 - 16.67
10.16/400	16.34	29.05	61.35	121.95	115.62	213.06	-0.92 - 11.80	0.92 - 15.42	-0.92 - 17.22	-2.72 - 19.06
12.70/500	20.43	36.32	76.77	152.52	144.26	266.11	-	1.15 - 19.29	-1.15 - 21.55	-3.41 - 23.82
15.24/600	24.51	43.58	92.19	183.07	172.90	319.12	-	1.38 - 23.16	-1.38 - 25.89	-4.10 - 28.61

- ¹ The throw ratio is based on the value during projection with the projected image size of 2.54 m [100 in].
- The value for L (distance to screen) varies slightly within ±5% depending on the zoom lens characteristics.
 - The zoom lens characteristics may cause slight image distortion.
 - When vertical keystone correction is used, the image is corrected in the direction that reduces its projected size.
 - The brightness varies depending on the zoom setting.

Screen aspect ratio 4:3

Unit: meters

Lens type			Zoom Lens											
Projection Lens Model No.			ET-EMU100		ET-EMW200		ET-EMW300		ET-EMW400		ET-EMW500		ET-EMS650	
Throw ratio ¹			0.396-0.425:1		0.580-0.660:1		0.660-0.830:1		0.830-1.15:1		1.14-1.63:1		1.62-2.50:1	
Screen size			Distance to screen (L)											
Diagonal (SD) m / inches	Height (SH)	Width (SW)	min. (LW)	max. (LT)	min. (LW)	max. (LT)	min. (LW)	max. (LT)	min. (LW)	max. (LT)	min. (LW)	max. (LT)	min. (LW)	max. (LT)
2.03/ 80	1.219	1.626	-	-	0.92	1.08	1.06	1.35	1.33	1.86	1.83	2.66	2.61	4.13
2.29/ 90	1.372	1.829	-	-	1.04	1.22	1.20	1.52	1.50	2.10	2.07	2.99	2.94	4.65
2.54/100	1.524	2.032	0.79	0.85	1.17	1.35	1.34	1.69	1.68	2.34	2.31	3.33	3.28	5.17
3.05/120	1.829	2.438	0.96	1.03	1.40	1.64	1.61	2.04	2.02	2.82	2.77	4.01	3.94	6.22
3.81/150	2.286	3.048	1.21	1.30	1.76	2.06	2.02	2.56	2.54	3.54	3.48	5.02	4.94	7.78
5.08/200	3.048	4.064	1.62	1.74	2.37	2.76	2.70	3.43	3.40	4.73	4.66	6.71	6.60	10.39
6.35/250	3.810	5.080	2.03	2.19	2.97	3.47	3.39	4.30	4.26	5.92	5.83	8.40	8.26	12.99
7.62/300	4.572	6.096	2.45	2.63	3.57	4.17	4.08	5.16	5.13	7.12	7.01	10.09	9.92	15.60
8.89/350	5.334	7.112	2.86	3.08	4.17	4.87	4.76	6.03	5.99	8.31	8.19	11.79	11.58	18.21
10.16/400	6.096	8.128	3.28	3.52	4.77	5.57	5.45	6.90	6.85	9.50	9.36	13.48	13.25	20.81
12.70/500	7.620	10.160	-	-	5.98	6.98	6.82	8.63	8.58	11.89	11.72	16.86	16.57	26.03
15.24/600	9.144	12.192	-	-	7.18	8.39	8.19	10.37	10.30	14.28	14.07	20.24	19.89	31.24

Unit: meters

Lens type			Zoom Lens				Height position(H)			
Projection Lens Model No.			ET-EMT750		ET-EMT850		ET-EMU100	ET-EMW200	ET-EMW300	ET-EMW400 ET-EMW500 ET-EMS650 ET-EMT750 ET-EMT850
Throw ratio ¹			2.50-4.97:1		4.93-8.90:1					
Screen size			Distance to screen (L)							
Diagonal (SD) m / inches	Height (SH)	Width (SW)	min. (LW)	max. (LT)	min. (LW)	max. (LT)				
2.03/ 80	1.219	1.626	4.03	8.11	8.01	14.54	-	0.12 - 1.10	0.00 - 1.22	-0.12 - 1.34
2.29/ 90	1.372	1.829	4.55	9.13	8.98	16.32	-	0.14 - 1.23	0.00 - 1.37	-0.14 - 1.51
2.54/100	1.524	2.032	5.07	10.10	10.00	18.10	0.00 - 1.07	0.15 - 1.37	0.00 - 1.52	-0.15 - 1.68
3.05/120	1.829	2.438	6.11	12.21	11.86	21.66	0.00 - 1.28	0.18 - 1.65	0.00 - 1.83	-0.18 - 2.01
3.81/150	2.286	3.048	7.66	15.29	14.74	27.00	0.00 - 1.60	0.23 - 2.06	0.00 - 2.29	-0.23 - 2.51
5.08/200	3.048	4.064	10.25	20.42	19.55	35.90	0.00 - 2.13	0.31 - 2.74	0.00 - 3.05	-0.30 - 3.35
6.35/250	3.810	5.080	12.84	25.55	24.36	44.80	0.00 - 2.67	0.38 - 3.43	0.00 - 3.81	-0.38 - 4.19
7.62/300	4.572	6.096	15.43	30.69	29.17	53.70	0.00 - 3.20	0.46 - 4.11	0.00 - 4.57	-0.46 - 5.03
8.89/350	5.334	7.112	18.01	35.82	33.98	62.60	0.00 - 3.73	0.53 - 4.80	0.00 - 5.33	-0.53 - 5.87
10.16/400	6.096	8.128	20.60	40.95	38.78	71.50	0.00 - 4.27	0.61 - 5.49	0.00 - 6.10	-0.61 - 6.71
12.70/500	7.620	10.160	25.78	51.21	48.40	89.30	-	0.76 - 6.86	0.00 - 7.62	-0.76 - 8.38
15.24/600	9.144	12.192	30.96	61.48	58.02	107.10	-	0.91 - 8.23	0.00 - 9.14	-0.91 - 10.06

- ¹ The throw ratio is based on the value during projection with the projected image size of 2.54 m [100 in].
- The value for L (distance to screen) varies slightly within ±5% depending on the zoom lens characteristics.
 - The zoom lens characteristics may cause slight image distortion.
 - When vertical keystone correction is used, the image is corrected in the direction that reduces its projected size.
 - The brightness varies depending on the zoom setting.

Screen aspect ratio 4:3

Unit: feet

Lens type			Zoom Lens											
Projection Lens Model No.			ET-EMU100		ET-EMW200		ET-EMW300		ET-EMW400		ET-EMW500		ET-EMS650	
Throw ratio ¹			0.396-0.425:1		0.580-0.660:1		0.660-0.830:1		0.830-1.15:1		1.14-1.63:1		1.62-2.50:1	
Screen size			Distance to screen (L)											
Diagonal (SD) m / inches	Height (SH)	Width (SW)	min. (LW)	max. (LT)	min. (LW)	max. (LT)	min. (LW)	max. (LT)	min. (LW)	max. (LT)	min. (LW)	max. (LT)	min. (LW)	max. (LT)
2.03/ 80	4.00	5.33	-	-	3.02	3.54	3.48	4.43	4.36	6.10	6.00	8.73	8.56	13.55
2.29/ 90	4.50	6.00	-	-	3.41	4.00	3.94	4.99	4.92	6.89	6.79	9.81	9.65	15.26
2.54/100	5.00	6.67	2.59	2.79	3.84	4.43	4.40	5.54	5.51	7.68	7.58	10.93	10.76	16.96
3.05/120	6.00	8.00	3.15	3.38	4.59	5.38	5.28	6.69	6.63	9.25	9.09	13.16	12.93	20.41
3.81/150	7.50	10.00	3.97	4.27	5.77	6.76	6.63	8.40	8.33	11.61	11.42	16.47	16.21	25.52
5.08/200	10.00	13.33	5.31	5.71	7.78	9.06	8.86	11.25	11.15	15.52	15.29	22.01	21.65	34.09
6.35/250	12.50	16.67	6.66	7.18	9.74	11.38	11.12	14.11	13.98	19.42	19.13	27.56	27.10	42.62
7.62/300	15.00	20.00	8.04	8.63	11.71	13.68	13.39	16.93	16.83	23.36	23.00	33.10	32.55	51.18
8.89/350	17.50	23.33	9.38	10.10	13.68	15.98	15.62	19.78	19.65	27.26	26.87	38.68	37.99	59.74
10.16/400	20.00	26.67	10.75	11.56	15.65	18.27	17.88	22.64	22.47	31.17	30.71	44.23	43.47	68.27
12.70/500	25.00	33.33	-	-	19.62	22.90	22.38	28.31	28.15	39.01	38.45	55.31	54.36	85.40
15.24/600	30.00	40.00	-	-	23.56	27.53	26.87	34.02	33.79	46.85	46.16	66.40	65.26	102.49

Unit: feet

Lens type			Zoom Lens				Height position(H)			
Projection Lens Model No.			ET-EMT750		ET-EMT850		ET-EMU100	ET-EMW200	ET-EMW300	ET-EMW400 ET-EMW500 ET-EMS650 ET-EMT750 ET-EMT850
Throw ratio ¹			2.50-4.97:1		4.93-8.90:1					
Screen size			Distance to screen (L)							
Diagonal (SD) m / inches	Height (SH)	Width (SW)	min. (LW)	max. (LT)	min. (LW)	max. (LT)				
2.03/ 80	4.00	5.33	13.22	26.61	26.28	47.70	-	0.39 - 3.61	0.00 - 4.00	-0.39 - 4.40
2.29/ 90	4.50	6.00	14.93	29.95	29.46	53.54	-	0.46 - 4.04	0.00 - 4.49	-0.46 - 4.95
2.54/100	5.00	6.67	16.63	33.14	32.81	59.38	0.00 - 3.50	0.49 - 4.49	0.00 - 4.99	-0.49 - 5.51
3.05/120	6.00	8.00	20.05	40.06	38.91	71.06	0.00 - 4.20	0.59 - 5.41	0.00 - 6.00	-0.59 - 6.59
3.81/150	7.50	10.00	25.13	50.16	48.36	88.58	0.00 - 5.25	0.75 - 6.76	0.00 - 7.51	-0.75 - 8.23
5.08/200	10.00	13.33	33.63	66.99	64.14	117.78	0.00 - 7.00	1.02 - 8.99	0.00 - 10.01	-0.98 - 10.99
6.35/250	12.50	16.67	42.13	83.82	79.92	146.98	0.00 - 8.75	1.25 - 11.25	0.00 - 12.50	-1.25 - 13.75
7.62/300	15.00	20.00	50.62	100.69	95.70	176.18	0.00 - 10.50	1.51 - 13.48	0.00 - 14.99	-1.51 - 16.50
8.89/350	17.50	23.33	59.09	117.52	111.48	205.38	0.00 - 12.25	1.74 - 15.75	0.00 - 17.49	-1.74 - 19.26
10.16/400	20.00	26.67	67.58	134.35	127.23	234.58	0.00 - 14.00	2.00 - 18.01	0.00 - 20.01	-2.00 - 22.01
12.70/500	25.00	33.33	84.58	168.01	158.79	292.98	-	2.49 - 22.51	0.00 - 25.00	-2.49 - 27.49
15.24/600	30.00	40.00	101.57	201.70	190.35	351.37	-	2.99 - 27.00	0.00 - 29.99	-2.99 - 33.00

- ¹ The throw ratio is based on the value during projection with the projected image size of 2.54 m [100 in].
- The value for L (distance to screen) varies slightly within ±5% depending on the zoom lens characteristics.
 - The zoom lens characteristics may cause slight image distortion.
 - When vertical keystone correction is used, the image is corrected in the direction that reduces its projected size.
 - The brightness varies depending on the zoom setting.

Formula to calculate projection distance per Projection Lens

To use a screen size not listed in this manual, check the screen size SD (m) and use the respective formula to calculate projection distance.

The unit of all the formulae is m. (Values obtained by the following calculation formulae contain a slight error.) When calculating a projection distance using image size designation (value in inches), multiply the value in inches by 0.0254 and substitute it into SD in the formula for calculating the projection distance.

Lens type	Projection Lens Model No.	Throw ratio	Aspect ratio	Projection distance (L) formula	
				Min. (LW)	Max. (LT)
Zoom lens	ET-EMU100	0.330-0.353:1	16:10	$L=0.2879 \times SD-0.0355$	$L=0.3095 \times SD-0.0363$
		0.329-0.353:1	16:9	$L=0.2959 \times SD-0.0355$	$L=0.3181 \times SD-0.0363$
		0.396-0.425:1	4:3	$L=0.3259 \times SD-0.0355$	$L=0.3503 \times SD-0.0363$
	ET-EMW200	0.480-0.550:1	16:10	$L=0.4189 \times SD-0.0435$	$L=0.4888 \times SD-0.0473$
		0.480-0.550:1	16:9	$L=0.4306 \times SD-0.0435$	$L=0.5023 \times SD-0.0473$
		0.580-0.660:1	4:3	$L=0.4742 \times SD-0.0435$	$L=0.5533 \times SD-0.0473$
	ET-EMW300	0.550-0.690:1	16:10	$L=0.4772 \times SD-0.0397$	$L=0.6031 \times SD-0.0397$
		0.550-0.690:1	16:9	$L=0.4904 \times SD-0.0397$	$L=0.6199 \times SD-0.0397$
		0.660-0.830:1	4:3	$L=0.5402 \times SD-0.0397$	$L=0.6828 \times SD-0.0397$
	ET-EMW400	0.690-0.950:1	16:10	$L=0.6003 \times SD-0.0518$	$L=0.8303 \times SD-0.0460$
		0.690-0.950:1	16:9	$L=0.6170 \times SD-0.0518$	$L=0.8534 \times SD-0.0460$
		0.830-1.15:1	4:3	$L=0.6795 \times SD-0.0518$	$L=0.9400 \times SD-0.0460$
	ET-EMW500	0.950-1.36:1	16:10	$L=0.8185 \times SD-0.0509$	$L=1.1760 \times SD-0.0500$
		0.950-1.36:1	16:9	$L=0.8413 \times SD-0.0509$	$L=1.2087 \times SD-0.0500$
		1.14-1.63:1	4:3	$L=0.9266 \times SD-0.0509$	$L=1.3313 \times SD-0.0500$
	ET-EMS650	1.35-2.10:1	16:10	$L=1.1559 \times SD-0.0491$	$L=1.8130 \times SD-0.0399$
		1.35-2.10:1	16:9	$L=1.1880 \times SD-0.0491$	$L=1.8634 \times SD-0.0399$
		1.62-2.50:1	4:3	$L=1.3086 \times SD-0.0491$	$L=2.0524 \times SD-0.0399$
	ET-EMT750	2.10-4.14:1	16:10	$L=1.8007 \times SD-0.1082$	$L=3.5693 \times SD-0.1046$
		2.10-4.15:1	16:9	$L=1.8508 \times SD-0.1082$	$L=3.6685 \times SD-0.1046$
		2.50-4.97:1	4:3	$L=2.0385 \times SD-0.1082$	$L=4.0407 \times SD-0.1046$
ET-EMT850	4.14-7.40:1	16:10	$L=3.3441 \times SD+0.3209$	$L=6.1906 \times SD+0.2998$	
	4.12-7.40:1	16:9	$L=3.4371 \times SD+0.3209$	$L=6.3627 \times SD+0.2998$	
	4.93-8.70:1	4:3	$L=3.7858 \times SD+0.3209$	$L=7.0082 \times SD+0.2998$	

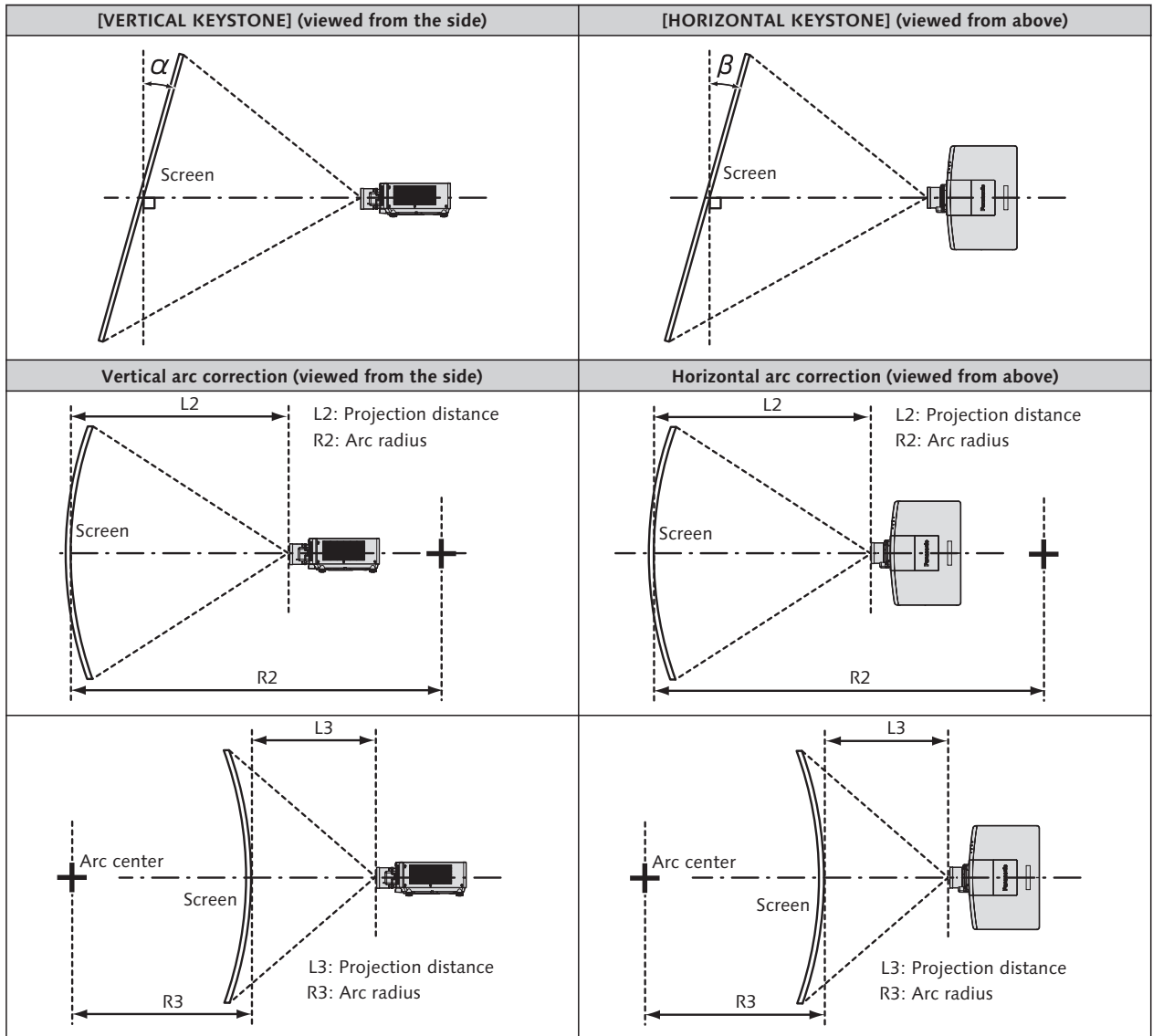
Lens shift range

The projector can adjust the position of the projected image within the lens shift range for each projection lens based on the position of the projected image in the home position (standard projection position). Perform the lens shift adjustment within the range indicated in the following illustration. Note that moving the lens outside the adjustment range may change the focus. This is because the shift of the lens is restricted to protect the optical parts.

Following illustration indicates the lens shift range when the projector is installed on desk/floor.

Projection lens Model No.	ET-EMU100	ET-EMW200
Lens shift range	<p>Standard projection position</p> <p>Optical axis center</p> <p>Projection screen height V</p> <p>0.5 V</p> <p>0.2 V</p> <p>0.12 H</p> <p>0.2 H</p> <p>0.12 H</p> <p>0.2 H</p> <p>Projection screen width H</p>	<p>Standard projection position</p> <p>Optical axis center</p> <p>Projected image height V</p> <p>0.19 H</p> <p>0.4 V</p> <p>0.19 H</p> <p>0.4 V</p> <p>Projected image width H</p>
Projection lens Model No.	ET-EMW300	ET-EMW400, ET-EMW500, ET-EMS650, ET-EMT750, ET-EMT850
Lens shift range	<p>Standard projection position</p> <p>Optical axis center</p> <p>Projected image height V</p> <p>0.2 H</p> <p>0.13 V</p> <p>0.5 V</p> <p>0.5 V</p> <p>0.2 H</p> <p>0.13 V</p> <p>Projected image width H</p>	<p>Standard projection position</p> <p>Optical axis center</p> <p>Projected image height V</p> <p>0.2 H</p> <p>0.28 V</p> <p>0.6 V</p> <p>0.6 V</p> <p>0.2 H</p> <p>0.28 V</p> <p>Projected image width H</p>

[SCREEN ADJUSTMENT] projection range



Projection lens Model No.	Only [KEYSTONE] used ¹		[KEYSTONE] and [CURVED CORRECTION] used together				Only [CURVED CORRECTION] used	
	Vertical keystone correction angle α (°)	Horizontal keystone correction angle β (°)	Vertical keystone correction angle α (°)	Horizontal keystone correction angle β (°)	Min. value of R2/L2	Min. value of R3/L3	Min. value of R2/L2	Min. value of R3/L3
ET-EMU100	±5	±0	–	–	–	–	–	–
ET-EMW200	±14	±8	–	–	–	–	–	–
ET-EMW300	±14	±8	–	–	–	–	–	–
ET-EMW400	±22	±15	±8	±8	1.5	3.7	0.9	2.2
ET-EMW500	±22	±15	±8	±8	1.2	3	0.7	1.7
ET-EMS650	±45	±40	±20	±15	0.9	2	0.5	1.1
ET-EMT750	±45	±40	±20	±15	0.6	1.1	0.3	0.6
ET-EMT850	±45	±40	±20	±15	0.3	0.6	0.2	0.3

¹ When [VERTICAL KEYSTONE] and [HORIZONTAL KEYSTONE] are used simultaneously, correction cannot be made exceeding total of 55°.

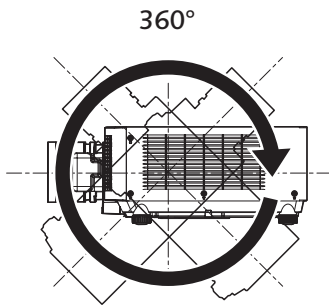
Note

- When [GEOMETRY] is used, the focus of the entire screen may be lost as correction increases.
- Make the curved screen a circular arc shape with one part of a perfect circle removed.
- Adjustment range of the [GEOMETRY] items may not match the listed projection range depending on the projection lens. Use this projector within the projection range, otherwise the correction may not work.

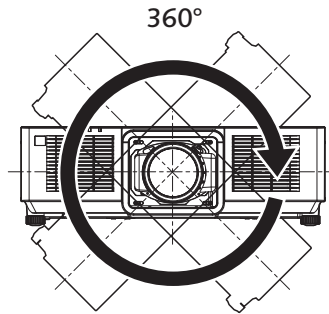
Installable angle

Install the projector at an angle within the range shown below.

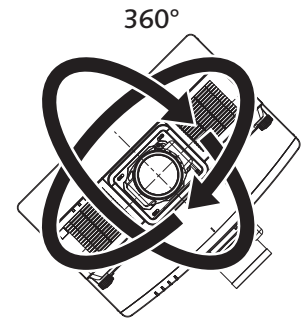
FULL 360-degree projection



Vertical 360-deg.



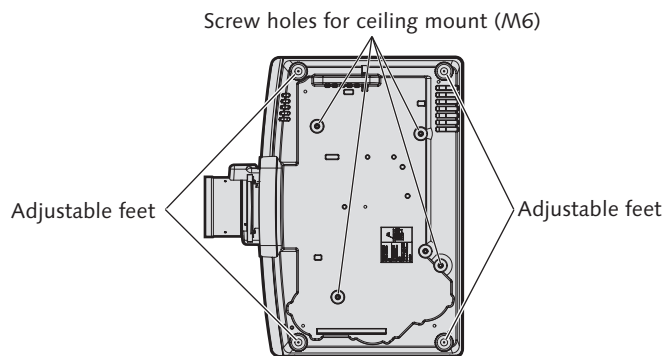
Horizontal 360-deg.



Tilting 360-deg.
(V&H combination)

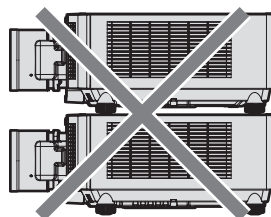
Notes on projector placement and operation

- Use the adjustable feet only for the floor standing installation and for adjusting the angle. Using them for other purposes may damage the projector.
- When using the projector in any method other than the floor installation using the adjustable feet or ceiling mounting installation using the Ceiling Mount Bracket, use the four screw holes for ceiling mount (as shown in the figure) to fix the projector. In such case, make sure that there is no clearance between the screw holes for ceiling mount on the projector bottom and the setting surface by inserting spacers (metallic) between them.
- Use a torque screwdriver or Allen torque wrench to tighten the fixing screws to their specified tightening torques. Do not use electric screwdrivers or impact screwdrivers. For the screws to fix the projector, use commercially available ISO 898-1 standard screws (made of carbon steel or alloy steel). (Screw diameter: M6, tapping depth inside the projector: 12 mm [15/32 in], torque: 4 ± 0.5 N·m)



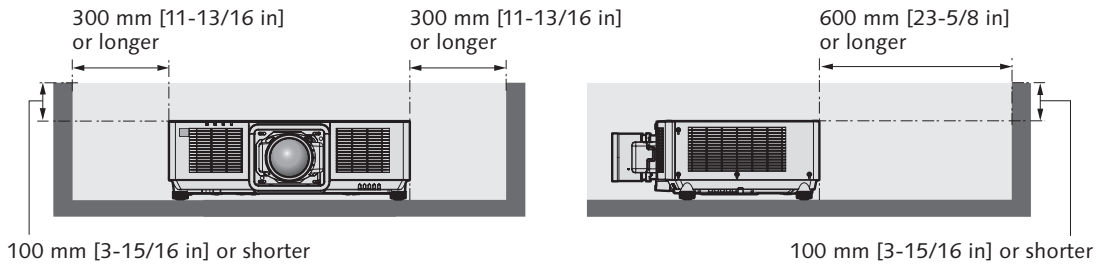
Positions of screw holes for ceiling mount and adjustable feet

- Do not stack projectors on top of each other.

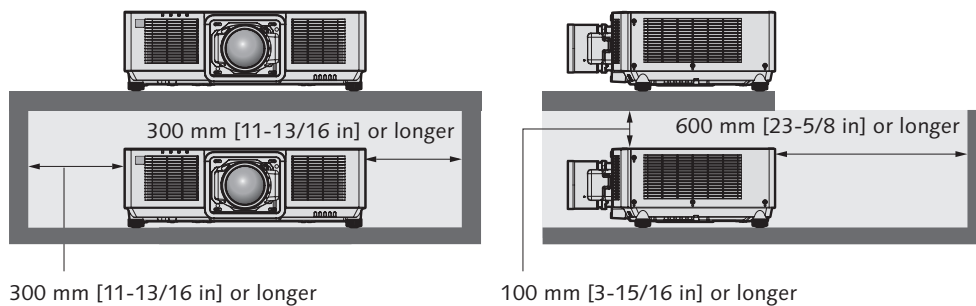


- Do not block the intake/exhaust vents of the projector.

- Prevent hot and cool air from the air conditioning system or exhaust of other projectors from blowing directly to the intake/exhaust vents of the projector.



- Do not install the projector in a confined space. When installing the projector in a confined space, provide air conditioning or ventilation separately. Exhaust heat may accumulate when the ventilation is not enough, triggering the protection circuit of the projector.



- When installing and fixing the projector on a ceiling or wall using a mount, make sure that the fixing screw or power cord does not come in contact with the metal section inside the ceiling or wall. Failure to observe this may result in electric shocks.
- Panasonic Connect Co., Ltd. takes no responsibility for any damage to the product caused by an inappropriate choice of location for installing the projector, even if the warranty period of the product has not expired.
- Immediately remove the product that is not in use anymore by asking a qualified technician.

List of compatible signals

The following table specifies the video signals compatible with the projector. For details of SDI signal, refer to "List of single link SDI compatible signals". This projector supports the signal with ✓ in the compatible signal column.

- The content of the compatible signal column is as follows.

-V: Video signal -C: Computer signal

Signal type	Signal name (SIGNAL FORMAT)	Resolution (Dots)	Scanning freq.		Dot clock freq. (MHz)	Compatible signal	
			Horizontal (kHz)	Vertical (Hz)		HDMI	DIGITAL LINK
V	480/60p	720 x 480	31.5	59.9	27.0	✓	✓
	576/50p	720 x 576	31.3	50.0	27.0	✓	✓
	720/60p	1280 x 720	45.0	60.0 ¹	74.3	✓	✓
	720/50p	1280 x 720	37.5	50.0	74.3	✓	✓
	1080/60i	1920 x 1080i	33.8	60.0 ¹	74.3	✓	✓
	1080/50i	1920 x 1080i	28.1	50.0	74.3	✓	✓
	1080/24p	1920 x 1080	27.0	24.0 ¹	74.3	✓	✓
	1080/24sF	1920 x 1080i	27.0	48.0 ¹	74.3	✓	✓
	1080/25p	1920 x 1080	28.1	25.0	74.3	✓	✓
	1080/30p	1920 x 1080	33.8	30.0 ¹	74.3	✓	✓
	1080/60p	1920 x 1080	67.5	60.0 ¹	148.5	✓	✓
	1080/50p	1920 x 1080	56.3	50.0	148.5	✓	✓
	2560 x 1080/60p	2560 x 1080	66.0	60.0 ¹	198.0	✓	✓
	2560 x 1080/50p	2560 x 1080	56.3	50.0	185.6	✓	✓
	3840 x 2160/24p	3840 x 2160	54.0	24.0 ¹	297.0	✓	✓
	3840 x 2160/25p	3840 x 2160	56.3	25.0	297.0	✓	✓
	3840 x 2160/30p	3840 x 2160	67.5	30.0 ¹	297.0	✓	✓
	3840 x 2160/60p	3840 x 2160	135.0	60.0 ¹	297.0	✓ ²	✓ ²
		3840 x 2160	135.0	60.0 ¹	594.0	✓	–
	3840 x 2160/50p	3840 x 2160	112.5	50.0	297.0	✓ ²	✓ ²
		3840 x 2160	112.5	50.0	594.0	✓	–
	4096 x 2160/24p	4096 x 2160	54.0	24.0 ¹	297.0	✓	✓
	4096 x 2160/25p	4096 x 2160	56.3	25.0	297.0	✓	✓
	4096 x 2160/30p	4096 x 2160	67.5	30.0 ¹	297.0	✓	✓
	4096 x 2160/60p	4096 x 2160	135.0	60.0 ¹	297.0	✓ ²	✓ ²
		4096 x 2160	135.0	60.0 ¹	594.0	✓	–
	4096 x 2160/50p	4096 x 2160	112.5	50.0	297.0	✓ ²	✓ ²
		4096 x 2160	112.5	50.0	594.0	✓	–
C	640 x 480/60	640 x 480	31.5	59.9	25.2	✓	✓
	1024 x 768/50	1024 x 768	39.6	50.0	51.9	✓	✓
	1024 x 768/60	1024 x 768	48.4	60.0	65.0	✓	✓
	1280 x 800/50	1280 x 800	41.3	50.0	68.0	✓	✓
	1280 x 800/60	1280 x 800	49.7	59.8	83.5	✓	✓
	1280 x 1024/50	1280 x 1024	52.4	50.0	88.0	✓	✓
	1280 x 1024/60	1280 x 1024	64.0	60.0	108.0	✓	✓
	1366 x 768/50	1366 x 768	39.6	49.9	69.0	✓	✓
	1366 x 768/60	1366 x 768	47.7	59.8	85.5	✓	✓
	1400 x 1050/50	1400 x 1050	54.1	50.0	99.9	✓	✓
	1400 x 1050/60	1400 x 1050	65.2	60.0	122.6	✓	✓
	1440 x 900/50	1440 x 900	46.3	49.9	86.8	✓	✓
	1440 x 900/60	1440 x 900	55.9	59.9	106.5	✓	✓
	1600 x 900/50	1600 x 900	46.4	49.9	96.5	✓	✓
	1600 x 900/60	1600 x 900	55.9	60.0	119.0	✓	✓
	1600 x 1200/50	1600 x 1200	61.8	49.9	131.5	✓	✓
	1600 x 1200/60	1600 x 1200	75.0	60.0	162.0	✓	✓
	1680 x 1050/50	1680 x 1050	54.1	50.0	119.5	✓	✓
	1680 x 1050/60	1680 x 1050	65.3	60.0	146.3	✓	✓
	1920 x 1200/50	1920 x 1200	61.8	49.9	158.3	✓	✓
1920 x 1200/60RB	1920 x 1200 ³	74.0	60.0	154.0	✓	✓	
3440 x 1440/50	3440 x 1440 ³	73.7	50.0	259.4	✓	–	
3440 x 1440/60	3440 x 1440 ³	88.9	60.0	312.8	✓	–	

1 The signal with 1/1.001x vertical scanning frequency is also supported.

2 YPbPr 4:2:0 format only

3 VESA CVT-RB (Reduced Blanking)-compliant

Note

- A signal with a different resolution is converted to the number of display dots. The number of display dots is 1920 x 1200.
- The "i" at the end of the resolution indicates an interlaced signal.
- When interlaced signals are connected, flickering may occur on the projected image.
- When the DIGITAL LINK connection is made with the long-reach communication method, the signal that the projector can receive is up to 1080/60p (1920 x 1080 dots, dot clock frequency 148.5 MHz).
- Even if it is the signal listed in the list of compatible signals, it may not be displayed by the projector if the image signal is recorded in a special format.

List of plug and play compatible signals

- The following table specifies the image signals compatible with plug and play. Signal with ✓ in the plug and play compatible signal column is the signal described in the EDID (extended display identification data) of the projector. For the signal without ✓ in the plug and play compatible signal column, the resolution may not be selected on the computer even if the projector is supporting it.
- Input corresponding to each item in the plug and play signal column is as follows.

Signal name (SIGNAL FORMAT)	Resolution (Dots)	Scanning freq.		Dot clock freq. (MHz)	Plug and play compatible signal					
		Horizontal (kHz)	Vertical (Hz)		HDMI			DIGITAL LINK		
					4K/60p	4K/30p	2K	4K/60p	4K/30p	2K
480/60p	720 x 480	31.5	59.9	27.0	✓	✓	✓	✓	✓	✓
576/50p	720 x 576	31.3	50.0	27.0	✓	✓	✓	✓	✓	✓
720/60p	1280 x 720	45.0	60.0 ¹	74.3	✓	✓	✓	✓	✓	✓
720/50p	1280 x 720	37.5	50.0	74.3	✓	✓	✓	✓	✓	✓
1080/60i	1920 x 1080i	33.8	60.0 ¹	74.3	✓	✓	✓	✓	✓	✓
1080/50i	1920 x 1080i	28.1	50.0	74.3	✓	✓	✓	✓	✓	✓
1080/24p	1920 x 1080	27.0	24.0 ¹	74.3	✓	✓	✓	✓	✓	✓
1080/24sF	1920 x 1080i	27.0	48.0 ¹	74.3	–	–	–	–	–	–
1080/25p	1920 x 1080	28.1	25.0	74.3	✓	✓	✓	✓	✓	✓
1080/30p	1920 x 1080	33.8	30.0 ¹	74.3	✓	✓	✓	✓	✓	✓
1080/60p	1920 x 1080	67.5	60.0 ¹	148.5	✓	✓	✓	✓	✓	✓
1080/50p	1920 x 1080	56.3	50.0	148.5	✓	✓	✓	✓	✓	✓
2560 x 1080/60p	2560 x 1080	66.0	60.0 ¹	198.0	–	–	–	–	–	–
2560 x 1080/50p	2560 x 1080	56.3	50.0	185.6	–	–	–	–	–	–
3840 x 2160/24p	3840 x 2160	54.0	24.0 ¹	297.0	✓	✓	–	✓	✓	–
3840 x 2160/25p	3840 x 2160	56.3	25.0	297.0	✓	✓	–	✓	✓	–
3840 x 2160/30p	3840 x 2160	67.5	30.0 ¹	297.0	✓	✓	–	✓	✓	–
3840 x 2160/60p	3840 x 2160	135.0	60.0 ¹	297.0	✓ ²	–	–	✓ ²	–	–
	3840 x 2160	135.0	60.0 ¹	594.0	✓	–	–	–	–	–
3840 x 2160/50p	3840 x 2160	112.5	50.0	297.0	✓ ²	–	–	✓ ²	–	–
	3840 x 2160	112.5	50.0	594.0	✓	–	–	–	–	–
4096 x 2160/24p	4096 x 2160	54.0	24.0 ¹	297.0	✓	✓	–	✓	✓	–
4096 x 2160/25p	4096 x 2160	56.3	25.0	297.0	✓	✓	–	✓	✓	–
4096 x 2160/30p	4096 x 2160	67.5	30.0 ¹	297.0	✓	✓	–	✓	✓	–
4096 x 2160/60p	4096 x 2160	135.0	60.0 ¹	297.0	✓ ²	–	–	✓ ²	–	–
	4096 x 2160	135.0	60.0 ¹	594.0	✓	–	–	–	–	–
4096 x 2160/50p	4096 x 2160	112.5	50.0	297.0	✓ ²	–	–	✓ ²	–	–
	4096 x 2160	112.5	50.0	594.0	✓	–	–	–	–	–
640 x 480/60	640 x 480	31.5	59.9	25.2	✓	✓	✓	✓	✓	✓
1024 x 768/50	1024 x 768	39.6	50.0	51.9	–	–	–	–	–	–
1024 x 768/60	1024 x 768	48.4	60.0	65.0	✓	✓	✓	✓	✓	✓
1280 x 800/50	1280 x 800	41.3	50.0	68.0	–	–	–	–	–	–
1280 x 800/60	1280 x 800	49.7	59.8	83.5	–	–	–	–	–	–
1280 x 1024/50	1280 x 1024	52.4	50.0	88.0	–	–	–	–	–	–
1280 x 1024/60	1280 x 1024	64.0	60.0	108.0	–	–	–	–	–	–
1366 x 768/50	1366 x 768	39.6	49.9	69.0	–	–	–	–	–	–
1366 x 768/60	1366 x 768	47.7	59.8	85.5	–	–	–	–	–	–
1400 x 1050/50	1400 x 1050	54.1	50.0	99.9	–	–	–	–	–	–
1400 x 1050/60	1400 x 1050	65.2	60.0	122.6	✓	✓	✓	✓	✓	✓
1440 x 900/50	1440 x 900	46.3	49.9	86.8	–	–	–	–	–	–
1440 x 900/60	1440 x 900	55.9	59.9	106.5	–	–	–	–	–	–
1600 x 900/50	1600 x 900	46.4	49.9	96.5	–	–	–	–	–	–
1600 x 900/60	1600 x 900	55.9	60.0	119.0	✓	✓	✓	✓	✓	✓
1600 x 1200/50	1600 x 1200	61.8	49.9	131.5	–	–	–	–	–	–
1600 x 1200/60	1600 x 1200	75.0	60.0	162.0	✓	✓	✓	✓	✓	✓
1680 x 1050/50	1680 x 1050	54.1	50.0	119.5	–	–	–	–	–	–
1680 x 1050/60	1680 x 1050	65.3	60.0	146.3	–	–	–	–	–	–
1920 x 1200/50	1920 x 1200	61.8	49.9	158.3	–	–	–	–	–	–
1920 x 1200/60RB	1920 x 1200 ³	74.0	60.0	154.0	✓	✓	✓	✓	✓	✓
3440 x 1440/50	3440 x 1440 ³	73.7	50.0	259.4	–	–	–	–	–	–
3440 x 1440/60	3440 x 1440 ³	88.9	60.0	312.8	–	–	–	–	–	–

1 The signal with 1/1.001x vertical scanning frequency is also supported.

2 YpPr: 4:2:0 format only

3 VESA CVT-RB (Reduced Blanking)-compliant

Note

- A signal with a different resolution is converted to the number of display dots. The number of display dots is 1920 x 1200.
- The "i" at the end of the resolution indicates an interlaced signal.
- When interlaced signals are connected, flickering may occur on the projected image.
- When the DIGITAL LINK connection is made with the long-reach communication method, the signal that the projector can receive is up to 1080/60p (1920 x 1080 dots, dot clock frequency 148.5 MHz).
- Even if it is the signal listed in the list of compatible signals, it may not be displayed by the projector if the image signal is recorded in a special format.

List of single link SDI compatible signals

The following table specifies the single link SDI signals that the projector can project.

Signal name (SIGNAL FORMAT)	Resolution (Dots)	Scanning freq.		Dot clock freq. (MHz)	Format	Color format	Sampling
		Horizontal (kHz)	Vertical (Hz)				
720/60p	1280 x 720	45.0	60.0 ¹	74.3	HD-SDI	YP _B Pr	4:2:2 10bit
720/50p	1280 x 720	37.5	50.0	74.3	HD-SDI	YP _B Pr	4:2:2 10bit
1080/60i	1920 x 1080i	33.8	60.0 ¹	74.3	HD-SDI	YP _B Pr	4:2:2 10bit
	1920 x 1080i	33.8	60.0 ¹	74.3	3G-SDI Level-A	RGB	4:4:4 10bit
	1920 x 1080i	33.8	60.0 ¹	74.3	3G-SDI Level-B	RGB	4:4:4 10bit
	1920 x 1080i	33.8	60.0 ¹	74.3	3G-SDI Level-A	RGB	4:4:4 12bit
	1920 x 1080i	33.8	60.0 ¹	74.3	3G-SDI Level-B	RGB	4:4:4 12bit
1080/50i	1920 x 1080i	28.1	50.0	74.3	HD-SDI	YP _B Pr	4:2:2 10bit
	1920 x 1080i	28.1	50.0	74.3	3G-SDI Level-A	RGB	4:4:4 10bit
	1920 x 1080i	28.1	50.0	74.3	3G-SDI Level-B	RGB	4:4:4 10bit
	1920 x 1080i	28.1	50.0	74.3	3G-SDI Level-A	RGB	4:4:4 12bit
	1920 x 1080i	28.1	50.0	74.3	3G-SDI Level-B	RGB	4:4:4 12bit
1080/24p	1920 x 1080	27.0	24.0 ¹	74.3	HD-SDI	YP _B Pr	4:2:2 10bit
	1920 x 1080	27.0	24.0 ¹	74.3	3G-SDI Level-A	RGB	4:4:4 10bit
	1920 x 1080	27.0	24.0 ¹	74.3	3G-SDI Level-B	RGB	4:4:4 10bit
	1920 x 1080	27.0	24.0 ¹	74.3	3G-SDI Level-A	RGB	4:4:4 12bit
	1920 x 1080	27.0	24.0 ¹	74.3	3G-SDI Level-B	RGB	4:4:4 12bit
1080/24sF	1920 x 1080i	27.0	48.0 ¹	74.3	HD-SDI	YP _B Pr	4:2:2 10bit
	1920 x 1080i	27.0	48.0 ¹	74.3	3G-SDI Level-A	RGB	4:4:4 10bit
	1920 x 1080i	27.0	48.0 ¹	74.3	3G-SDI Level-B	RGB	4:4:4 10bit
	1920 x 1080i	27.0	48.0 ¹	74.3	3G-SDI Level-A	RGB	4:4:4 12bit
	1920 x 1080i	27.0	48.0 ¹	74.3	3G-SDI Level-B	RGB	4:4:4 12bit
1080/25p	1920 x 1080	28.1	25.0	74.3	HD-SDI	YP _B Pr	4:2:2 10bit
	1920 x 1080	28.1	25.0	74.3	3G-SDI Level-A	RGB	4:4:4 10bit
	1920 x 1080	28.1	25.0	74.3	3G-SDI Level-B	RGB	4:4:4 10bit
	1920 x 1080	28.1	25.0	74.3	3G-SDI Level-A	RGB	4:4:4 12bit
	1920 x 1080	28.1	25.0	74.3	3G-SDI Level-B	RGB	4:4:4 12bit
1080/30p	1920 x 1080	33.8	30.0 ¹	74.3	HD-SDI	YP _B Pr	4:2:2 10bit
	1920 x 1080	33.8	30.0 ¹	74.3	3G-SDI Level-A	RGB	4:4:4 10bit
	1920 x 1080	33.8	30.0 ¹	74.3	3G-SDI Level-B	RGB	4:4:4 10bit
	1920 x 1080	33.8	30.0 ¹	74.3	3G-SDI Level-A	RGB	4:4:4 12bit
	1920 x 1080	33.8	30.0 ¹	74.3	3G-SDI Level-B	RGB	4:4:4 12bit
1080/60p	1920 x 1080	67.5	60.0 ¹	148.5	3G-SDI Level-A	YP _B Pr	4:2:2 10bit
	1920 x 1080	67.5	60.0 ¹	148.5	3G-SDI Level-B	YP _B Pr	4:2:2 10bit
1080/50p	1920 x 1080	56.3	50.0	148.5	3G-SDI Level-A	YP _B Pr	4:2:2 10bit
	1920 x 1080	56.3	50.0	148.5	3G-SDI Level-B	YP _B Pr	4:2:2 10bit
2K/24p	2048 x 1080	27.0	24.0 ¹	74.3	3G-SDI Level-A	RGB	4:4:4 10bit
	2048 x 1080	27.0	24.0 ¹	74.3	3G-SDI Level-B	RGB	4:4:4 10bit
	2048 x 1080	27.0	24.0 ¹	74.3	3G-SDI Level-A	RGB	4:4:4 12bit
	2048 x 1080	27.0	24.0 ¹	74.3	3G-SDI Level-B	RGB	4:4:4 12bit
2K/25p	2048 x 1080	28.1	25.0	74.3	3G-SDI Level-A	RGB	4:4:4 10bit
	2048 x 1080	28.1	25.0	74.3	3G-SDI Level-B	RGB	4:4:4 10bit
	2048 x 1080	28.1	25.0	74.3	3G-SDI Level-A	RGB	4:4:4 12bit
	2048 x 1080	28.1	25.0	74.3	3G-SDI Level-B	RGB	4:4:4 12bit
2K/30p	2048 x 1080	33.8	30.0 ¹	74.3	3G-SDI Level-A	RGB	4:4:4 10bit
	2048 x 1080	33.8	30.0 ¹	74.3	3G-SDI Level-B	RGB	4:4:4 10bit
	2048 x 1080	33.8	30.0 ¹	74.3	3G-SDI Level-A	RGB	4:4:4 12bit
	2048 x 1080	33.8	30.0 ¹	74.3	3G-SDI Level-B	RGB	4:4:4 12bit
2K/48p	2048 x 1080	54.0	48.0 ¹	148.5	3G-SDI Level-A	YP _B Pr	4:2:2 10bit
	2048 x 1080	54.0	48.0 ¹	148.5	3G-SDI Level-B	YP _B Pr	4:2:2 10bit
2K/50p	2048 x 1080	56.3	50.0	148.5	3G-SDI Level-A	YP _B Pr	4:2:2 10bit
	2048 x 1080	56.3	50.0	148.5	3G-SDI Level-B	YP _B Pr	4:2:2 10bit
2K/60p	2048 x 1080	67.5	60.0 ¹	148.5	3G-SDI Level-A	YP _B Pr	4:2:2 10bit
	2048 x 1080	67.5	60.0 ¹	148.5	3G-SDI Level-B	YP _B Pr	4:2:2 10bit

¹ The signal with 1/1.001x vertical scanning frequency is also supported.

Note

- The "i" at the end of the resolution indicates an interlaced signal.
- When interlaced signals are connected, flickering may occur on the projected image.