

**Specifications**

**Main unit**

Power supply		AC100 V–AC120 V/AC200 V–AC240 V 50 Hz/60 Hz AC100 V–AC120 V, 50 Hz/60 Hz (Brightness is restricted to approximately 1/3)	
Power consumption		2450 W	
	Operation mode*1	[Normal]	2010 W
		[Eco]	1590 W
		[Quiet]	1310 W
	Standby mode*1	13 W	
Shutter*1		260 W	
BTU value		Max 8,371 BTU	
DLP™ chip	Panel size	24.4 mm (0.96 in) diagonal (16:10 aspect ratio)	
	Display method	DLP™ chip x 3, DLP™ projection system	
	Number of pixels	2,304,000 (1,920 x 1,200 ) x 3	
Refresh rate		120Hz Refresh rate varies depending on scanning frequency.	
Light source		Laser diodes	
Light output*2	Operation mode	[Normal]	32,000lm(Center)*3/30,500lm*4
		[Eco]	24,000 lm*4
		[Quiet]	20,000 lm
Time until light output declines to 50%*5	Operation mode	[Normal]	20,000 hours
		[Eco]	24,000 hours
		[Quiet]	26,000 hours
Resolution		1920 x 1200 pixels	
Contrast ratio*4		20,000:1 (Full On/Full Off, Dynamic Contrast Mode: 3)	
Screen size (diagonal)		1.78–25.40 m (70-1,000 in)	
		1.78–15.24 m (70-600 in)	ET-D75LE8/ET-D3LET80
		5.08–15.24 m (200-600 in)	ET-D3LEW200, ET-D3LEU100
		3.05–15.24 m (120-600 in)	ET-D75LE95
Center to corner zone ratio*4		90%	
Lens		Optional (no lens included with this model)	
Lens shift	Vertical (from center of screen)	±55% ±44% with ET-D75LE6, +68–78% with ET-D75LE95, ±55% with ET-D3LEU100, ±48% with ET-D3LEW200	
	Horizontal (from center of screen)	±20% ±15% with ET-D75LE6, ±12% with ET-D75LE95, 0–+25% with ET-D3LEU100, ±15% ET-D3LEW200	
Installation		Ceiling/floor, front/rear, free 360-degree installation	
Compatible signal	HDMI	<ul style="list-style-type: none"> <li>• Moving image signal resolution: 480/60p, 576/50p to 4096 x 2160/60p</li> <li>• Still image signal resolution: 640 x 480 to 3840 x 2400 (non-interlace)</li> <li>• Dot clock frequency: 25 MHz to 594 MHz</li> </ul>	
	DVI-D	<ul style="list-style-type: none"> <li>• Moving image signal resolution: 480/60p, 576/50p to 2048 x 1080/60p</li> <li>• Still image signal resolution: 640 x 480 to 1920 x 1200 (non-interlace)</li> <li>• Dot clock frequency: 25 MHz to 162 MHz</li> </ul>	
	DIGITAL LINK	<ul style="list-style-type: none"> <li>• Moving image signal resolution: 480/60p, 576/50p to 4096 x 2160/60p</li> <li>• Still image signal resolution: 640 x 480 to 3840 x 2400 (non-interlace)</li> <li>• Dot clock frequency: 25 MHz to 297 MHz</li> </ul>	
	SDI	HD-SDI signal 3G-SDI signal 6G-SDI signal 12G-SDI signal	
	DisplayPort	<ul style="list-style-type: none"> <li>• Moving image signal resolution: 720/50p to 4096 x 2160/60p</li> <li>• Still image signal resolution: 640 x 480 to 3840 x 2400 (non-interlace)</li> <li>• Dot clock frequency: 25 MHz to 594 MHz</li> </ul> This is supported when the optional Interface Board for DisplayPort 2 input (Model No.: ET-MDNDP10) is installed in the slot.	
	SDI Optical	Single link HD-SDI signal SMPTE ST 292 compliant Single link 3G-SDI signal SMPTE ST 424, 425-2 compliant Single link 6G-SDI signal SMPTE ST 2081-1, 2081-10 compliant Single link 12G-SDI signal SMPTE ST 2082-1, 2082-10 compliant This is supported when the optional Interface Board for 12G-SDI optical input (Model No.: ET-MDNFB10) is installed in the slot.	

Terminals / SLOT	HDMI IN	HDMI x 1, HDCP 2.2 compatible, Deep Color compatible
	DVI-D IN	DVI-D 24 p x 1, single link, DVI 1.0 compliant, HDCP compatible
	DIGITAL LINK	RJ-45 x 1, for network and DIGITAL LINK connections (HDBase™ compliant), PLink (class 2) compatible, 100Base-TX, Art-Net compatible, HDCP 2.2 compatible, Deep Color compatible
	SDI IN	BNC x 1
	MULTI PROJECTOR SYNC IN/ 3D SYNC 1 IN/OUT (dual purpose)	BNC x 1, TTL high impedance When [3D SYNC MODE] is set to output, TTL output: Maximum 10 mA
	MULTI PROJECTOR SYNC OUT MULTI PROJECTOR SYNC OUT/ 3D SYNC 2 OUT (dual purpose)	BNC x 1, TTL output: Maximum 10 mA
	SERIAL IN	D-Sub 9 p x 1, RS-232C compliant, for computer control
	SERIAL OUT	D-Sub 9 p x 1, RS-232C compliant, for computer control
	REMOTE 1 IN	M3 stereo mini jack x 1, for remote control (wired)/for projector connection control
	REMOTE 1 OUT	M3 stereo mini jack x 1, for remote control (wired)/for projector connection control
	REMOTE 2 IN	D-Sub 9 p x 1, for contact control
	LAN	RJ-45 x 1, for network connection, PLink (class 2) compatible, 10Base-T/100Base-TX, Art-Net compatible
	USB	USB connector (type A) x 1, for connecting the optional Wireless Module (Model No.: AJ-WM50 Series), for connecting USB memory
	DC OUT 1 / DC OUT 2	USB connector (type A) x 2, for power supply only (DC 5 V, 2 A total for two terminals)
	SLOT	SLOT x 1, SLOT NX specification, for installing the Interface Board
Cabinet materials		Molded plastic
Dimension (W x H x D)		598 x 353 x 780 mm (23-17/32 x 13-29/32 x 30-23/32 inches) (not including protruding parts)
Weight*6		68.6 kg (152 lbs)
Operating noise		49 dB (46 dB [Quiet])
Laser Classification	Laser Class	USA and Canada: Class 3R (IEC 60825-1:2007) Other countries or regions: Class 1 (IEC/EN 60825-1:2014)
	Risk Group	Risk Group 3 (IEC 62471-5:2015)
Operating environment	Operating temperature*7*8*9	0-45 °C (32-113 °F)
	Operating humidity	10-80 % (no condensation)

Remote control unit

Power supply	3 V DC (AA/R6 type battery x 2)
Operation range	Approx. 30 m (98 ft 5 in) when operated from directly in front of the signal receptor
Dimensions (W x H x D)	47.5 x 181.5 x 27.5 mm (1-7/8 x 7-5/32 x 1-3/32 in)
Weight	Approx. 150 g (5.3 oz) (including batteries)

Other Applications

- Logo Transfer Software (for Windows)
- Multi Monitoring & Control Software (for Windows)
- Geometry Manager Pro (for Windows)
- Smart Projector Control (for iOS/Android™)

Supplied accessories

Power cord\*10, Lens hole cover x 1, Wireless/wired remote control unit x 1, Batteries for remote control (AA/R6 type x 2), Lens fixing screw x 1

Optional accessories

Lens	Zoom lens	ET-D3LEW200 (0.645–0.850:1)
		ET-D3LEW60/ET-D75LE6 (0.924–1.10:1)
		ET-D3LEW10 (1.26–1.72:1)
		ET-D75LE10 (1.30–1.67:1)
		ET-D3LES20/ET-D75LE20 (1.67–2.41:1)
		ET-D3LET30/ET-D75LE30 (2.40–4.66:1)
		ET-D3LET40 (4.61–7.41:1)
		ET-D75LE40 (4.62–7.38:1)
	ET-D3LET80/ET-D75LE8 (7.34–13.8:1)	
	Fixed-Focus Lens	ET-D3LEU100 (0.370:1)
ET-D3LEW50 (0.694:1)		
ET-D75LE95 (0.364:1)		
Fisheye Lens	ET-D3LEF70	
Stepping Motor Kit	ET-D75MKS10	
Lens Fixed Attachment	ET-PLF10/ET-PLF20	
Interface board	HDMI Input (Input x 2)*11	ET-MDNHM10 (HDCP2.2)
	DVI Input (Input x 2)	ET-MDNVD10
	Display Port (Input x 2)	ET-MDNPD10
	12G-SDI Input (Input x 2, Input / Output x 2)	ET-MDN12G10
	12G-SDI Optical (Input x 1, Input / Output x 1)	ET-MDNFB10
Wireless module	AJ-WM50 Series*8	
Early Warning Software	ET-SWA100 Series*12	
Digital Interface Box	ET-YFB100G	
DIGITAL LINK Switcher	ET-YFB200G	
NFC Upgrade Kit	ET-NUK10	
		*The availability of this product varies depending on the country.

\*1 Operating Temperature: 25°C (77°F), Altitude: 700m (2,297ft), IEC627087: 2008 Broadcast contents, Picture mode: Standard, Dynamic contrast [2]

\*2 When a projection lens other than ET-D75LE95 is attached and the power supply voltage is AC 200 V.

\*3 Average light-output value of all shipped products measured at center of screen in NORMAL Mode.

\*4 Measurement, measuring conditions, and method of notation all comply with ISO/IEC 21118: 2020 international standards. Value is average of all products when shipped.

\*5 Around this time, light output will have decreased by approximately 50%. Dynamic Contrast [3], under conditions with 35°C (95°F), 700m (2,297ft) above sea level, and 0.15mg/m<sup>3</sup> of particulate matter. Estimated time until light output declines to 50% varies depending on environment.

\*6 Average value. May differ depending on the actual unit.

\*7 The operating environment temperature should be between 0°C (32°F) and 40°C (104°F) if the projector is used at an altitude between 1400 m (4593 in) and 4200 m (13780 in) above sea level.

\*8 The operating environment temperature should be between 0 °C (32°F) and 40 °C (104°F) when the optional Wireless Module (Model No.: AJ-WM50 Series) is attached.

\*9 When the [PROJECTOR SETUP] menu → [OPERATION SETTING] → [OPERATING MODE] is set to [NORMAL] or [ECO], and the operating environment temperature exceeds the following value, the light output may be reduced to protect the projector.

•When using the projector at an altitude lower than 2700 m (8858 in) above sea level: 35°C (95°F)

•When using the projector at an altitude between 2700 m (8858 in) and 4200 m (13780 in) above sea level: 25 °C (77°F)

\*10 The type and number of the supplied power cords vary depending on the country or region where you purchased the product.

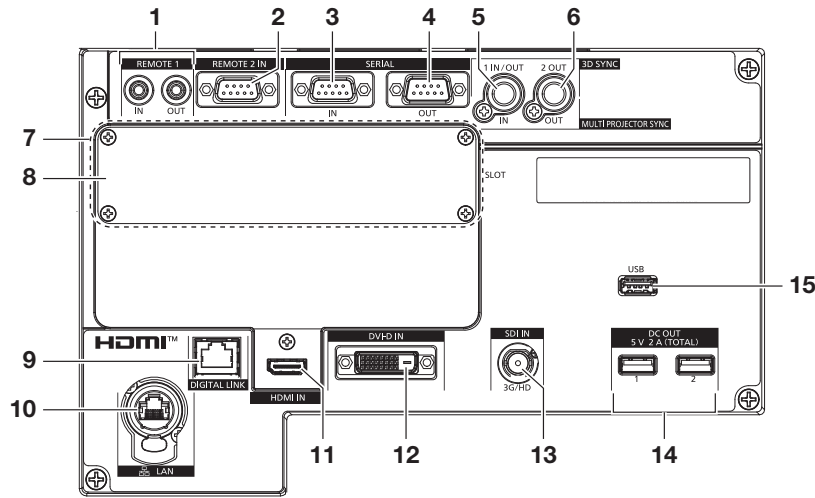
\*11 When performing the simultaneous input of the 4K image (resolution of 3840 x 2160 or 4096 x 2160) using the Interface Board for HDMI 2 input (Model No.: ET-MDNHM10), it is necessary for the firmware version of the Interface Board for HDMI 2 input to be 2.00 or later. If the version is earlier than 2.00, the simultaneous process is not performed even if corresponding signal is input. Consult your dealer regarding the version update to the latest firmware.

\*12 The suffix of the Model No. differs according to the license type.

Note

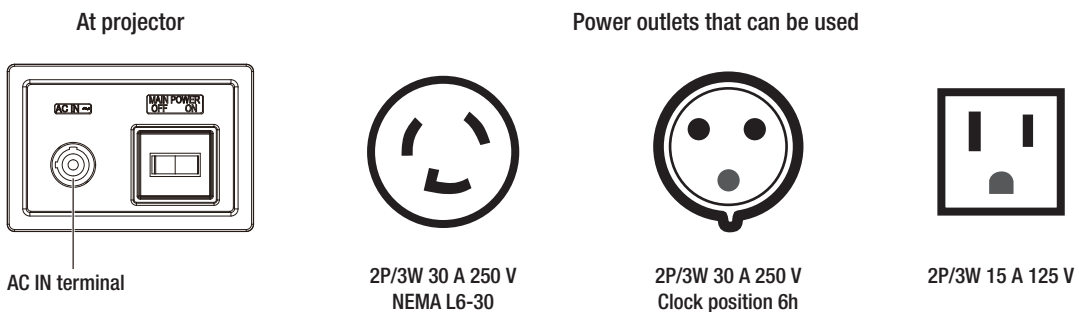
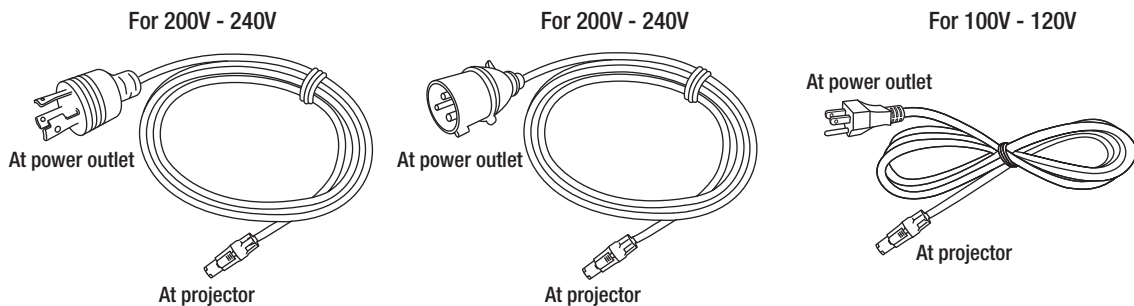
- Weights and dimensions shown are approximate. Specifications subject to change without notice.
- The Fixed-focus Lens (Model No.: ET-D75LE50) (production discontinued) can also be used.

Terminals



1	REMOTE 1 IN / REMOTE 1 OUT	9	DIGITAL LINK
2	REMOTE 2 IN	10	LAN
3	SERIAL IN	11	HDMI
4	SERIAL OUT	12	DVI-D IN
5	MULTI PROJECTOR SYNC IN / 3D SYNC 1 IN/OUT	13	SDI IN
6	MULTI PROJECTOR SYNC OUT / 3D SYNC 2 OUT	14	DC OUT 1 / DC OUT 2
7	SLOT	15	USB
8	SLOT Cover		

Power cord



This projector supports AC 100 V to AC 120 V, and AC 200 V to AC 240 V as the power supply. A grounded outlet supporting 30 A is required when using the projector with AC 200 V to AC 240 V. A grounded outlet supporting 15 A is required when using the projector with AC 100 V to AC 120 V.

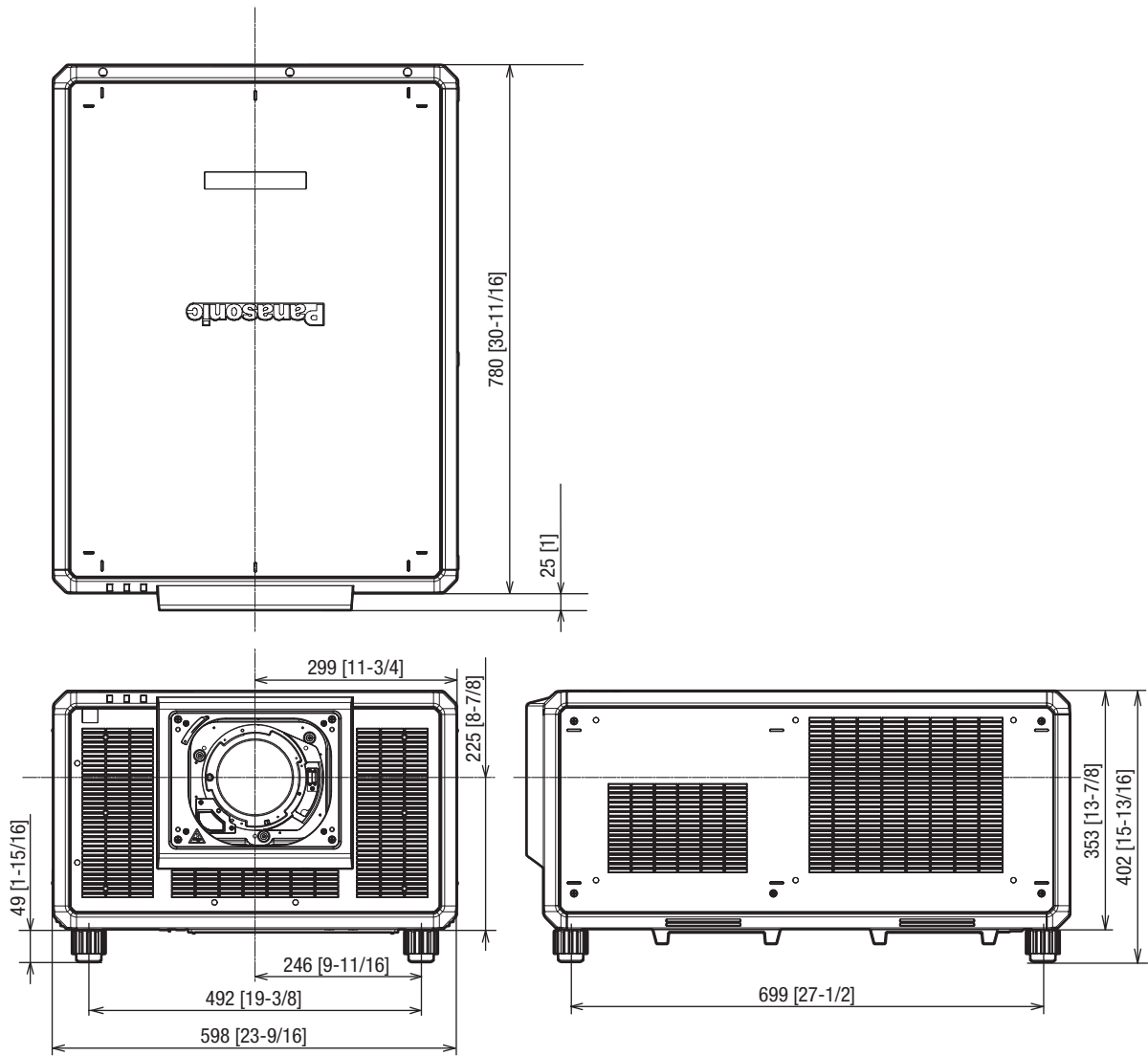
The shape of the usable outlet differs depending on the power supply. Following illustrations are examples.

Note

- The light output will decrease to approximately 1/3 when using the projector with AC 100 V to AC 120 V.
- The supplied power cords vary depending on the country or region where you purchased the product.

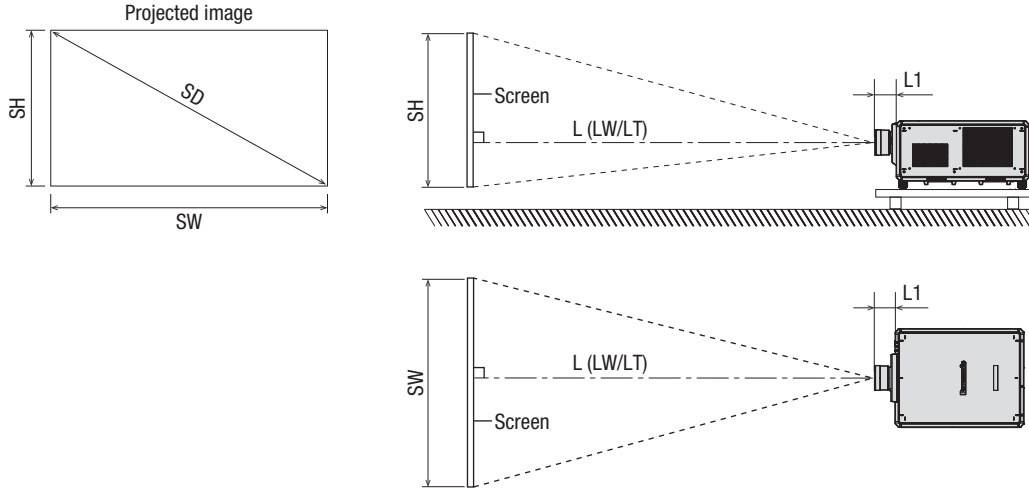
Dimensions

unit : mm [inch]  
 NOTE: This illustration is not drawn to scale.



**Projection relationship diagram (All lenses excluding ET-D3LEU100, ET-D3LEW200, ET-D75LE95)**

Install the projector referring to the projected image size, projection distance, etc. Image size and image position can be adjusted in accordance with the screen size and screen position. When the Zoom lens (Model No.: ET-D3LEW200) Fixed-focus Lens (Model No.: ET-D75LE95, ET-D3LEU100, ) or the Fisheye Lens (Model No.: ET-D3LEF70) is used, the projection relation between the screen and the projector differs from that of other lenses.



**Note**

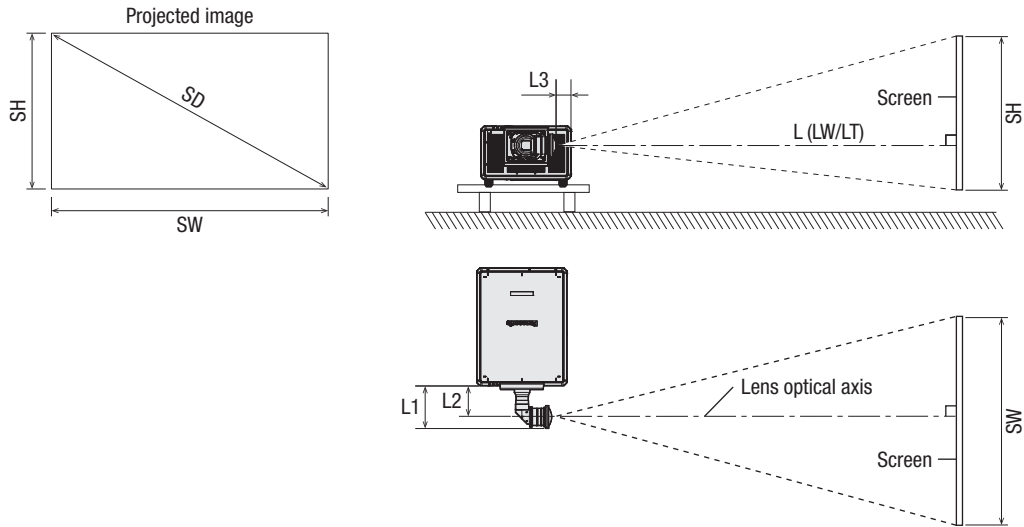
- This diagram assumes that the size and position of the projected image will be adjusted so that the image fits the entire screen.
- This illustration is not drawn to scale.
- The values are approximate.

SH	Projected image height	
SW	Projected image width	
SD	Projected image size	
L	Projection distance	
	LW	Minimum projection distance when the Zoom Lens is used
	LT	Maximum projection distance when the Zoom Lens is used
L1	Distance from front of projector to edge of lens	

unit : m

Projection lens Model No.	Lens protrusion dimensions (L1)
ET-D3LEW10	0.210
ET-D75LE10	0.125
ET-D3LES20/ET-D75LE20	0.121
ET-D3LET30	0.180
ET-D75LE30	0.121
ET-D3LET40	0.130
ET-D75LE40	0.124
ET-D3LEW50/ET-D75LE50	0.203
ET-D3LEW60/ET-D75LE6	0.212
ET-D3LET80/ET-D75LE8	0.262

Projection relationship diagram (ET-D3LEU100, ET-D3LEW200)



**Note**

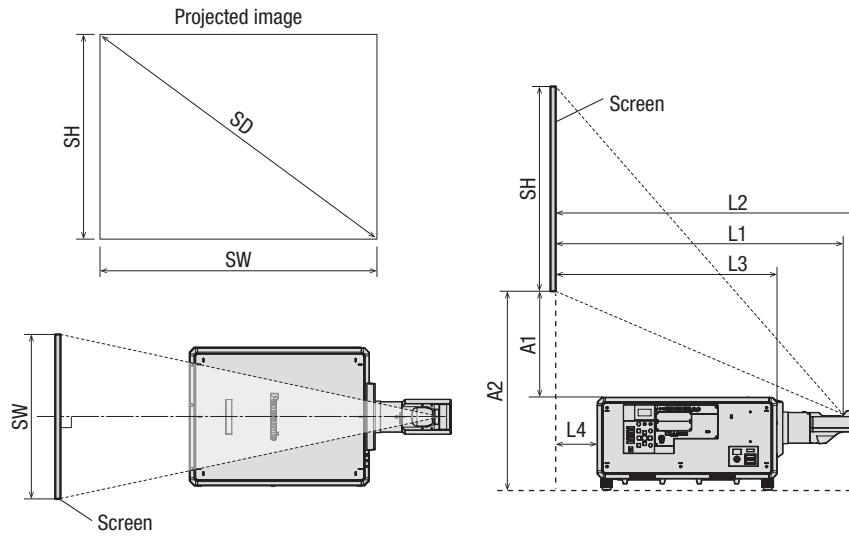
- This diagram assumes that the size and position of the projected image will be adjusted so that the image fits the entire screen.
- This illustration is not drawn to scale.
- The values are approximate.

SH	Projected image height	
SW	Projected image width	
SD	Projected image size	
L	Projection distance	
	LW	Minimum projection distance when the Zoom Lens is used
	LT	Maximum projection distance when the Zoom Lens is used
L1	Distance from front of projector to edge of lens	
L2	Distance from front of projector to center of lens	
L3	Distance from side of projector to center of lens	

unit : m

Projection lens Model No.	Lens protrusion dimension (L1)	Position of the lens optical axis (L2)	Position of the lens apex (L3)
ET-D3LEU100	0.29	0.21	0.10
ET-D3LEW200	0.35	0.26	0.13

Projection relationship diagram (ET-D75LE95)



Note

- This diagram assumes that the size and position of the projected image will be adjusted so that the image fits the entire screen.
- This illustration is not drawn to scale.
- The values are approximate.

SH	Projected image height
SW	Projected image width
SD	Projected image size
L1	Projection distance (from the screen to the mirror reflection surface*1)
L2	Distance between the projector and the screen (from the screen to the tip of the lens)
L3	Distance between the projector and the screen (from the screen to the front surface of the projector)
L4	Distance between the projector and the screen (from the screen to the rear surface of the projector)
A1	Distance between the projector and the screen (from the screen bottom edge to the projector top)
A2	Distance between the projector and the screen (from the screen bottom edge to the projector bottom)

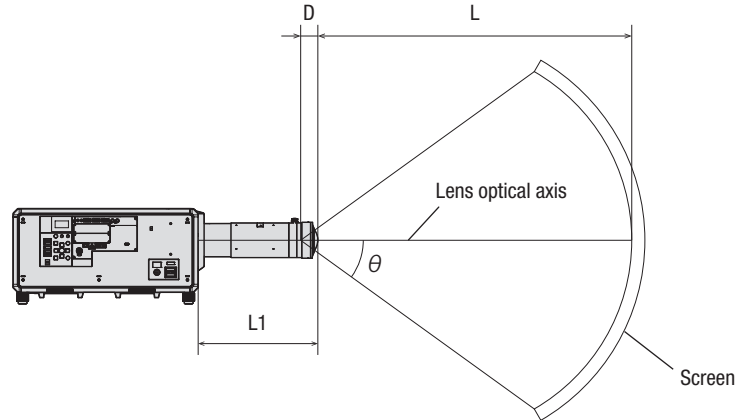
\*1 The mirror reflection surface cannot be seen from the outside, because it is located inside the Fixed-focus Lens.

unit : m

Distance from the projector to the screen	Formula
L2	= L1 + 0.029
L3	= L1 - 0.292
L4	= L1 - 1.072
A2	= A1 + 0.402



Projection relationship diagram (ET-D3LEF70)



Note

- This diagram assumes that the size and position of the projected image will be adjusted so that the image fits the entire screen.
- This illustration is not drawn to scale.
- The values are approximate.

L	Projection distance (From the front of the lens to the screen)
L1	Distance from front of projector to edge of lens
$\theta$	Projected angle
D	Exit pupil position

unit : m

Projection distance (L) range (m)	2 - ∞
L1 dimension	0.385
Exit pupil position (D) formula	$= -10^{-8} \times \theta^3 - 3 \times 10^{-7} \times \theta^2 - 1.73 \times 10^{-5} \times \theta + 0.02342$

Projected angle ( $\theta$ ) (degrees)	Exit pupil position (D) (m)*
10	0.0232
20	0.0229
30	0.0224
40	0.0216
50	0.0206
60	0.0191
70	0.0173
80	0.0150
91.6	0.0116

\* There may be slight discrepancies in the exit pupil positions.

**Projection distance**

The value for L (distance to screen) varies slightly within ±5% depending on the zoom lens characteristics.  
When vertical keystone correction is used, the image is corrected in the direction that reduces its projected size.

Screen aspect ratio 16:10

Unit: meters

Lens type			Zoom lens																	
Projection lens Model No.			ET-D3LEW200*1		ET-D3LEW60/ ET-D75LE6		ET-D3LEW10		ET-D75LE10		ET-D3LES20/ ET-D75LE20		ET-D3LET30		ET-D75LE30		ET-D3LET40		ET-D75LE40	
Throw ratio*2			0.645-0.850:1		0.924-1.10:1		1.26-1.72:1		1.30-1.67:1		1.67-2.41:1		2.40-4.66:1		2.40-4.66:1		4.61-7.41:1		4.62-7.38:1	
Projection screen size			Projection distance (L)																	
Diagonal (SD)	Height (SH)	Width (SW)	min. (LW)	max. (LT)	min. (LW)	max. (LT)	min. (LW)	max. (LT)	min. (LW)	max. (LT)	min. (LW)	max. (LT)	min. (LW)	max. (LT)	min. (LW)	max. (LT)	min. (LW)	max. (LT)	min. (LW)	max. (LT)
1.78 / 70	0.942	1.508	-	-	1.36	1.63	1.85	2.54	1.90	2.46	2.46	3.58	3.54	6.94	3.56	6.94	6.86	11.08	6.87	11.04
2.03 / 80	1.077	1.723	-	-	1.56	1.87	2.13	2.92	2.19	2.83	2.82	4.11	4.06	7.96	4.08	7.96	7.86	12.68	7.88	12.65
2.29 / 90	1.212	1.939	-	-	1.77	2.11	2.40	3.30	2.47	3.20	3.19	4.64	4.59	8.97	4.61	8.98	8.86	14.29	8.88	14.25
2.54 / 100	1.346	2.154	-	-	1.97	2.35	2.68	3.68	2.76	3.56	3.55	5.17	5.11	9.99	5.13	9.99	9.87	15.90	9.88	15.85
3.05 / 120	1.615	2.585	-	-	2.38	2.84	3.23	4.43	3.32	4.30	4.28	6.22	6.16	12.03	6.18	12.03	11.87	19.12	11.89	19.05
3.81 / 150	2.019	3.231	-	-	2.98	3.57	4.06	5.57	4.18	5.40	5.37	7.81	7.73	15.08	7.75	15.08	14.88	23.94	14.90	23.85
5.08 / 200	2.692	4.308	2.78	3.66	4.00	4.78	5.44	7.45	5.60	7.24	7.19	10.45	10.34	20.17	10.38	20.16	19.90	31.99	19.92	31.86
6.35 / 250	3.365	5.385	3.50	4.61	5.01	6.00	6.83	9.34	7.02	9.07	9.00	13.09	12.96	25.26	13.00	25.25	24.92	40.03	24.95	39.86
7.62 / 300	4.039	6.462	4.22	5.55	6.02	7.21	8.21	11.23	8.44	10.91	10.82	15.73	15.58	30.35	15.62	30.34	29.93	48.07	29.97	47.87
8.89 / 350	4.712	7.539	4.94	6.49	7.04	8.42	9.59	13.12	9.86	12.74	12.64	18.37	18.20	35.45	18.24	35.42	34.95	56.12	34.99	55.87
10.16 / 400	5.385	8.616	5.66	7.44	8.05	9.64	10.97	15.01	11.28	14.58	14.46	21.01	20.81	40.54	20.86	40.51	39.97	64.16	40.01	63.87
12.70 / 500	6.731	10.770	7.09	9.32	10.08	12.07	13.74	18.79	14.12	18.25	18.09	26.29	26.05	50.72	26.11	50.68	50.00	80.24	50.05	79.88
15.24 / 600	8.077	12.923	8.53	11.21	12.10	14.49	16.50	22.57	16.96	21.92	21.73	31.58	31.28	60.90	31.35	60.85	60.03	96.33	60.09	95.89
17.78 / 700	9.423	15.077	-	-	14.13	16.92	19.27	26.35	19.80	25.60	25.36	36.86	36.52	71.08	36.60	71.02	70.07	112.42	70.13	111.90
20.32 / 800	10.770	17.231	-	-	16.16	19.35	22.03	30.13	22.64	29.27	29.00	42.14	41.75	81.26	41.84	81.19	80.10	128.50	80.17	127.91
22.86 / 900	12.116	19.385	-	-	18.18	21.78	24.80	33.90	25.48	32.94	32.63	47.42	46.99	91.44	47.09	91.36	90.14	144.59	90.21	143.92
25.40 / 1000	13.462	21.539	-	-	20.21	24.21	27.56	37.68	28.33	36.61	36.27	52.70	52.22	101.62	52.33	101.53	100.17	160.67	100.25	159.93

Unit: meters

Lens type			Zoom lens		Fixed-Focus Lens					
Projection lens Model No.			ET-D3LET80/ ET-D75LE8		ET-D3LEU100*1		ET-D3LEW50/ ET-D75LE50		ET-D75LE95*1	
Throw ratio*2			7.34-13.8:1		0.370:1		0.694:1		0.364:1	
Projection screen size			Projection distance (L)				Projection distance (L1)	Distance between the projector and the screen		
Diagonal (SD)	Height (SH)	Width (SW)	min. (LW)	max. (LT)	Fixed	Fixed		(L4)	(A1)	
1.78 / 70	0.942	1.508	10.85	20.69	-	1.01	-	-	-	
2.03 / 80	1.077	1.723	12.45	23.70	-	1.16	-	-	-	
2.29 / 90	1.212	1.939	14.06	26.71	-	1.32	-	-	-	
2.54 / 100	1.346	2.154	15.66	29.71	-	1.47	-	-	-	
3.05 / 120	1.615	2.585	18.88	35.73	-	1.78	0.94	-0.13	0.17-0.33	
3.81 / 150	2.019	3.231	23.69	44.75	-	2.24	1.18	0.10	0.24-0.44	
5.08 / 200	2.692	4.308	31.72	59.79	1.59	3.01	1.56	0.49	0.37-0.63	
6.35 / 250	3.365	5.385	39.74	74.82	2.01	3.78	1.95	0.87	0.49-0.82	
7.62 / 300	4.039	6.462	47.77	89.86	2.42	4.56	2.33	1.26	0.62-1.02	
8.89 / 350	4.712	7.539	55.79	104.90	2.84	5.33	2.72	1.64	0.74-1.21	
10.16 / 400	5.385	8.616	63.82	119.94	3.25	6.10	3.10	2.03	0.86-1.40	
12.70 / 500	6.731	10.770	79.87	150.01	4.08	7.64	3.87	2.80	1.11-1.78	
15.24 / 600	8.077	12.923	95.92	180.08	4.91	9.18	4.64	3.57	1.36-2.16	
17.78 / 700	9.423	15.077	111.97	-	-	10.72	-	-	-	
20.32 / 800	10.770	17.231	128.02	-	-	12.27	-	-	-	
22.86 / 900	12.116	19.385	144.07	-	-	13.81	-	-	-	
25.40 / 1000	13.462	21.539	160.13	-	-	15.35	-	-	-	

\*1 When the Zoom lens (Model No: ET-D3LEW200) Fixed-focus Lens (Model No.: ET-D75LE95, ET-D3LEU100, ) or the Fisheye Lens (Model No.: ET-D3LEF70) is used, the projection relation between the screen and the projector differs from that of other lenses.

\*2 The throw ratio is based on the value during projection with the projected image size of 150 in.

Screen aspect ratio 16:10

Unit: feet

Lens type			Zoom lens																	
Projection lens Model No.			ET-D3LEW200*1	ET-D3LEW60/ ET-D75LE6		ET-D3LEW10		ET-D75LE10		ET-D3LES20/ ET-D75LE20		ET-D3LET30		ET-D75LE30		ET-D3LET40		ET-D75LE40		
Throw ratio*2			0.645-0.850:1	0.924-1.10:1		1.26-1.72:1		1.30-1.67:1		1.67-2.41:1		2.40-4.66:1		2.40-4.66:1		4.61-7.41:1		4.62-7.38:1		
Projection screen size			Projection distance (L)																	
Diagonal (SD)	Height (SH)	Width (SW)	min. (LW)	max. (LT)	min. (LW)	max. (LT)	min. (LW)	max. (LT)	min. (LW)	max. (LT)	min. (LW)	max. (LT)	min. (LW)	max. (LT)	min. (LW)	max. (LT)	min. (LW)	max. (LT)	min. (LW)	max. (LT)
1.78 / 70	0.942	1.508	-	-	4.46	5.35	6.07	8.33	6.23	8.07	8.07	11.75	11.61	22.77	11.68	22.77	22.51	36.35	22.54	36.22
2.03 / 80	1.077	1.723	-	-	5.12	6.14	6.99	9.58	7.18	9.28	9.25	13.48	13.32	26.12	13.39	26.12	25.79	41.60	25.85	41.50
2.29 / 90	1.212	1.939	-	-	5.81	6.92	7.87	10.83	8.10	10.50	10.47	15.22	15.06	29.43	15.12	29.46	29.07	46.88	29.13	46.75
2.54 / 100	1.346	2.154	-	-	6.46	7.71	8.79	12.07	9.06	11.68	11.65	16.96	16.76	32.78	16.83	32.78	32.38	52.16	32.41	52.00
3.05 / 120	1.615	2.585	-	-	7.81	9.32	10.60	14.53	10.89	14.11	14.04	20.41	20.21	39.47	20.28	39.47	38.94	62.73	39.01	62.50
3.81 / 150	2.019	3.231	-	-	9.78	11.71	13.32	18.27	13.71	17.72	17.62	25.62	25.36	49.47	25.43	49.47	48.82	78.54	48.88	78.25
5.08 / 200	2.692	4.308	9.12	12.01	13.12	15.68	17.85	24.44	18.37	23.75	23.59	34.28	33.92	66.17	34.05	66.14	65.29	104.95	65.35	104.53
6.35 / 250	3.365	5.385	11.48	15.12	16.44	19.68	22.41	30.64	23.03	29.76	29.53	42.95	42.52	82.87	42.65	82.84	81.76	131.33	81.86	130.77
7.62 / 300	4.039	6.462	13.84	18.21	19.75	23.65	26.94	36.84	27.69	35.79	35.50	51.61	51.11	99.57	51.25	99.54	98.19	157.71	98.33	157.05
8.89 / 350	4.712	7.539	16.21	21.29	23.10	27.62	31.46	43.04	32.35	41.80	41.47	60.27	59.71	116.30	59.84	116.21	114.66	184.12	114.80	183.30
10.16 / 400	5.385	8.616	18.57	24.41	26.41	31.63	35.99	49.24	37.01	47.83	47.44	68.93	68.27	133.00	68.44	132.91	131.13	210.50	131.26	209.54
12.70 / 500	6.731	10.770	23.26	30.58	33.07	39.60	45.08	61.65	46.32	59.87	59.35	86.25	85.46	166.40	85.66	166.27	164.04	263.25	164.20	262.07
15.24 / 600	8.077	12.923	27.99	36.78	39.70	47.54	54.13	74.05	55.64	71.92	71.29	103.61	102.62	199.80	102.85	199.64	196.95	316.04	197.14	314.60
17.78 / 700	9.423	15.077	-	-	46.36	55.51	63.22	86.45	64.96	83.99	83.20	120.93	119.81	233.20	120.08	233.00	229.89	368.83	230.08	367.12
20.32 / 800	10.770	17.231	-	-	53.02	63.48	72.28	98.85	74.28	96.03	95.14	138.25	136.97	266.60	137.27	266.37	262.79	421.58	263.02	419.65
22.86 / 900	12.116	19.385	-	-	59.64	71.46	81.36	111.22	83.59	108.07	107.05	155.58	154.16	300.00	154.49	299.73	295.73	474.37	295.96	472.17
25.40 / 1000	13.462	21.539	-	-	66.30	79.43	90.42	123.62	92.95	120.11	118.99	172.90	171.32	333.39	171.68	333.10	328.64	527.13	328.90	524.70

Unit: feet

Lens type			Zoom lens		Fixed-Focus Lens				
Projection lens Model No.			ET-D3LET80/ ET-D75LE8		ET-D3LEU100*1	ET-D3LEW50/ ET-D75LE50	ET-D75LE95*1		
Throw ratio*2			7.34-13.8:1		0.370:1	0.694:1	0.364:1		
Projection screen size			Projection distance (L)				Projection distance (L1)	Distance between the projector and the screen	
Diagonal (SD)	Height (SH)	Width (SW)	min. (LW)	max. (LT)	Fixed	Fixed		(L4)	(A1)
1.78 / 70	0.942	1.508	35.60	67.88	-	3.31	-	-	-
2.03 / 80	1.077	1.723	40.85	77.75	-	3.81	-	-	-
2.29 / 90	1.212	1.939	46.13	87.63	-	4.33	-	-	-
2.54 / 100	1.346	2.154	51.38	97.47	-	4.82	-	-	-
3.05 / 120	1.615	2.585	61.94	117.22	-	5.84	3.08	-0.43	0.56-1.08
3.81 / 150	2.019	3.231	77.72	146.82	-	7.35	3.87	0.33	0.79-1.44
5.08 / 200	2.692	4.308	104.07	196.16	5.22	9.88	5.12	1.61	1.21-2.07
6.35 / 250	3.365	5.385	130.38	245.47	6.59	12.40	6.40	2.85	1.61-2.69
7.62 / 300	4.039	6.462	156.72	294.81	7.94	14.96	7.64	4.13	2.03-3.35
8.89 / 350	4.712	7.539	183.04	344.16	9.32	17.49	8.92	5.38	2.43-3.97
10.16 / 400	5.385	8.616	209.38	393.50	10.66	20.01	10.17	6.66	2.82-4.59
12.70 / 500	6.731	10.770	262.04	492.15	13.39	25.07	12.70	9.19	3.64-5.84
15.24 / 600	8.077	12.923	314.69	590.81	16.11	30.12	15.22	11.71	4.46-7.09
17.78 / 700	9.423	15.077	367.35	-	-	35.17	-	-	-
20.32 / 800	10.770	17.231	420.01	-	-	40.26	-	-	-
22.86 / 900	12.116	19.385	472.66	-	-	45.31	-	-	-
25.40 / 1000	13.462	21.539	525.35	-	-	50.36	-	-	-

\*1 When the Zoom lens (Model No: ET-D3LEW200) Fixed-focus Lens (Model No.: ET-D75LE95, ET-D3LEU100, ) or the Fisheye Lens (Model No.: ET-D3LEF70) is used, the projection relation between the screen and the projector differs from that of other lenses.

\*2 The throw ratio is based on the value during projection with the projected image size of 150 in.

Screen aspect ratio 16:9

Unit: meters

Lens type			Zoom lens																	
Projection lens Model No.			ET-D3LEW200*1	ET-D3LEW60/ ET-D75LE6	ET-D3LEW10	ET-D75LE10	ET-D3LES20/ ET-D75LE20	ET-D3LET30	ET-D75LE30	ET-D3LET40	ET-D75LE40									
Throw ratio*2			0.646-0.851:1	0.924-1.10:1	1.26-1.72:1	1.30-1.67:1	1.67-2.41:1	2.40-4.66:1	2.41-4.66:1	4.61-7.41:1	4.62-7.38:1									
Projection screen size			Projection distance (L)																	
Diagonal (SD)	Height (SH)	Width (SW)	min. (LW)	max. (LT)	min. (LW)	max. (LT)	min. (LW)	max. (LT)	min. (LW)	max. (LT)	min. (LW)	max. (LT)	min. (LW)	max. (LT)	min. (LW)	max. (LT)	min. (LW)	max. (LT)	min. (LW)	max. (LT)
1.78 / 70	0.872	1.550	-	-	1.40	1.67	1.90	2.62	1.96	2.53	2.53	3.68	3.64	7.14	3.66	7.14	7.05	11.39	7.07	11.36
2.03 / 80	0.996	1.771	-	-	1.61	1.92	2.19	3.00	2.25	2.91	2.91	4.23	4.18	8.18	4.20	8.19	8.08	13.04	8.10	13.00
2.29 / 90	1.121	1.992	-	-	1.82	2.17	2.47	3.39	2.54	3.29	3.28	4.77	4.72	9.23	4.74	9.23	9.11	14.70	9.13	14.65
2.54 / 100	1.245	2.214	-	-	2.03	2.42	2.76	3.78	2.83	3.67	3.65	5.31	5.25	10.28	5.28	10.28	10.15	16.35	10.16	16.29
3.05 / 120	1.494	2.657	-	-	2.44	2.92	3.32	4.56	3.42	4.42	4.40	6.40	6.33	12.37	6.35	12.37	12.21	19.66	12.23	19.58
3.81 / 150	1.868	3.321	-	-	3.07	3.67	4.18	5.72	4.29	5.55	5.52	8.03	7.94	15.51	7.97	15.50	15.30	24.61	15.32	24.52
5.08 / 200	2.491	4.428	2.86	3.77	4.11	4.92	5.60	7.66	5.75	7.44	7.39	10.74	10.63	20.74	10.67	20.73	20.46	32.88	20.48	32.75
6.35 / 250	3.113	5.535	3.60	4.74	5.15	6.17	7.02	9.61	7.21	9.33	9.26	13.46	13.32	25.97	13.36	25.96	25.61	41.15	25.64	40.97
7.62 / 300	3.736	6.641	4.34	5.71	6.19	7.41	8.44	11.55	8.67	11.21	11.13	16.17	16.01	31.20	16.06	31.18	30.77	49.41	30.80	49.20
8.89 / 350	4.358	7.748	5.08	6.68	7.23	8.66	9.86	13.49	10.13	13.10	12.99	18.88	18.70	36.44	18.75	36.41	35.93	57.68	35.96	57.43
10.16 / 400	4.981	8.855	5.82	7.65	8.28	9.91	11.28	15.43	11.59	14.99	14.86	21.60	21.39	41.67	21.45	41.64	41.08	65.95	41.12	65.65
12.70 / 500	6.226	11.069	7.29	9.58	10.36	12.40	14.12	19.32	14.51	18.76	18.60	27.03	26.77	52.13	26.84	52.09	51.40	82.48	51.44	82.11
15.24 / 600	7.472	13.283	8.77	11.52	12.44	14.90	16.96	23.20	17.44	22.54	22.33	32.46	32.15	62.60	32.23	62.54	61.71	99.01	61.76	98.56
17.78 / 700	8.717	15.497	-	-	14.52	17.39	19.81	27.08	20.36	26.31	26.07	37.89	37.53	73.06	37.62	73.00	72.02	115.55	72.08	115.02
20.32 / 800	9.962	17.710	-	-	16.61	19.89	22.65	30.97	23.28	30.09	29.81	43.31	42.92	83.53	43.01	83.45	82.33	132.08	82.41	131.47
22.86 / 900	11.207	19.924	-	-	18.69	22.39	25.49	34.85	26.20	33.86	33.54	48.74	48.30	93.99	48.40	93.90	92.65	148.61	92.73	147.92
25.40 / 1000	12.453	22.138	-	-	20.77	24.88	28.33	38.73	29.12	37.63	37.28	54.17	53.68	104.45	53.79	104.36	102.96	165.15	103.05	164.38

Unit: meters

Lens type			Zoom lens		Fixed-Focus Lens				
Projection lens Model No.			ET-D3LET80/ ET-D75LE8	ET-D3LEU100*1	ET-D3LEW50/ ET-D75LE50	ET-D75LE95*1			
Throw ratio*2			7.34-13.8:1	0.370:1	0.695:1	0.364:1			
Projection screen size			Projection distance (L)				Projection distance (L1)	Distance between the projector and the screen	
Diagonal (SD)	Height (SH)	Width (SW)	min. (LW)	max. (LT)	Fixed	Fixed		(L4)	(A1)
1.78 / 70	0.872	1.550	11.16	21.28	-	1.04	-	-	-
2.03 / 80	0.996	1.771	12.81	24.37	-	1.20	-	-	-
2.29 / 90	1.121	1.992	14.46	27.46	-	1.36	-	-	-
2.54 / 100	1.245	2.214	16.11	30.55	-	1.51	-	-	-
3.05 / 120	1.494	2.657	19.41	36.73	-	1.83	0.97	-0.10	0.18-0.43
3.81 / 150	1.868	3.321	24.36	46.00	-	2.31	1.21	0.14	0.26-0.56
5.08 / 200	2.491	4.428	32.61	61.46	1.64	3.10	1.60	0.53	0.38-0.79
6.35 / 250	3.113	5.535	40.86	76.91	2.06	3.89	2.00	0.93	0.51-1.02
7.62 / 300	3.736	6.641	49.11	92.37	2.49	4.68	2.39	1.32	0.64-1.25
8.89 / 350	4.358	7.748	57.35	107.82	2.92	5.48	2.79	1.72	0.77-1.49
10.16 / 400	4.981	8.855	65.60	123.28	3.34	6.27	3.19	2.11	0.89-1.72
12.70 / 500	6.226	11.069	82.10	154.19	4.19	7.85	3.98	2.91	1.15-2.18
15.24 / 600	7.472	13.283	98.60	185.10	5.05	9.44	4.77	3.70	1.40-2.64
17.78 / 700	8.717	15.497	115.10	-	-	11.02	-	-	-
20.32 / 800	9.962	17.710	131.59	-	-	12.61	-	-	-
22.86 / 900	11.207	19.924	148.09	-	-	14.19	-	-	-
25.40 / 1000	12.453	22.138	164.59	-	-	15.78	-	-	-

\*1 When the Zoom lens (Model No.: ET-D3LEW200) Fixed-focus Lens (Model No.: ET-D75LE95, ET-D3LEU100, ) or the Fisheye Lens (Model No.: ET-D3LEF70) is used, the projection relation between the screen and the projector differs from that of other lenses.

\*2 The throw ratio is based on the value during projection with the projected image size of 150 in.

Screen aspect ratio 16:9

Unit: feet

Lens type			Zoom lens																	
Projection lens Model No.			ET-D3LEW200*1	ET-D3LEW60/ ET-D75LE6		ET-D3LEW10		ET-D75LE10		ET-D3LES20/ ET-D75LE20		ET-D3LET30		ET-D75LE30		ET-D3LET40		ET-D75LE40		
Throw ratio*2			0.646-0.851:1	0.924-1.10:1		1.26-1.72:1		1.30-1.67:1		1.67-2.41:1		2.40-4.66:1		2.41-4.66:1		4.61-7.41:1		4.62-7.38:1		
Projection screen size			Projection distance (L)																	
Diagonal (SD)	Height (SH)	Width (SW)	min. (LW)	max. (LT)	min. (LW)	max. (LT)	min. (LW)	max. (LT)	min. (LW)	max. (LT)	min. (LW)	max. (LT)	min. (LW)	max. (LT)	min. (LW)	max. (LT)	min. (LW)	max. (LT)	min. (LW)	max. (LT)
1.78 / 70	0.872	1.550	-	-	4.59	5.48	6.23	8.60	6.43	8.30	8.30	12.07	11.94	23.42	12.01	23.42	23.13	37.37	23.20	37.27
2.03 / 80	0.996	1.771	-	-	5.28	6.30	7.18	9.84	7.38	9.55	9.55	13.88	13.71	26.84	13.78	26.87	26.51	42.78	26.57	42.65
2.29 / 90	1.121	1.992	-	-	5.97	7.12	8.10	11.12	8.33	10.79	10.76	15.65	15.49	30.28	15.55	30.28	29.89	48.23	29.95	48.06
2.54 / 100	1.245	2.214	-	-	6.66	7.94	9.06	12.40	9.28	12.04	11.97	17.42	17.22	33.73	17.32	33.73	33.30	53.64	33.33	53.44
3.05 / 120	1.494	2.657	-	-	8.01	9.58	10.89	14.96	11.22	14.50	14.44	21.00	20.77	40.58	20.83	40.58	40.06	64.50	40.12	64.24
3.81 / 150	1.868	3.321	-	-	10.07	12.04	13.71	18.77	14.07	18.21	18.11	26.34	26.05	50.89	26.15	50.85	50.20	80.74	50.26	80.45
5.08 / 200	2.491	4.428	9.38	12.37	13.48	16.14	18.37	25.13	18.86	24.41	24.25	35.24	34.87	68.04	35.01	68.01	67.13	107.87	67.19	107.45
6.35 / 250	3.113	5.535	11.81	15.55	16.90	20.24	23.03	31.53	23.65	30.61	30.38	44.16	43.70	85.20	43.83	85.17	84.02	135.00	84.12	134.41
7.62 / 300	3.736	6.641	14.24	18.73	20.31	24.31	27.69	37.89	28.44	36.78	36.52	53.05	52.53	102.36	52.69	102.30	100.95	162.10	101.05	161.42
8.89 / 350	4.358	7.748	16.67	21.92	23.72	28.41	32.35	44.26	33.23	42.98	42.62	61.94	61.35	119.55	61.52	119.45	117.88	189.24	117.98	188.42
10.16 / 400	4.981	8.855	19.09	25.10	27.17	32.51	37.01	50.62	38.02	49.18	48.75	70.87	70.18	136.71	70.37	136.61	134.78	216.37	134.91	215.38
12.70 / 500	6.226	11.069	23.92	31.43	33.99	40.68	46.32	63.39	47.60	61.55	61.02	88.68	87.83	171.03	88.06	170.90	168.63	270.60	168.76	269.39
15.24 / 600	7.472	13.283	28.77	37.79	40.81	48.88	55.64	76.11	57.22	73.95	73.26	106.49	105.48	205.38	105.74	205.18	202.46	324.83	202.62	323.36
17.78 / 700	8.717	15.497	-	-	47.64	57.05	64.99	88.84	66.80	86.32	85.53	124.31	123.13	239.70	123.42	239.50	236.28	379.10	236.48	377.36
20.32 / 800	9.962	17.710	-	-	54.49	65.26	74.31	101.61	76.38	98.72	97.80	142.09	140.81	274.05	141.11	273.78	270.11	433.33	270.37	431.33
22.86 / 900	11.207	19.924	-	-	61.32	73.46	83.63	114.34	85.96	111.09	110.04	159.91	158.46	308.36	158.79	308.07	303.97	487.56	304.23	485.30
25.40 / 1000	12.453	22.138	-	-	68.14	81.63	92.95	127.07	95.54	123.46	122.31	177.72	176.11	342.68	176.47	342.38	337.79	541.82	338.09	539.30

Unit: feet

Lens type			Zoom lens		Fixed-Focus Lens				
Projection lens Model No.			ET-D3LET80/ ET-D75LE8		ET-D3LEU100*1	ET-D3LEW50/ ET-D75LE50		ET-D75LE95*1	
Throw ratio*2			7.34-13.8:1		0.370:1	0.695:1		0.364:1	
Projection screen size			Projection distance (L)				Projection distance (L1)	Distance between the projector and the screen	
Diagonal (SD)	Height (SH)	Width (SW)	min. (LW)	max. (LT)	Fixed	Fixed		(L4)	(A1)
1.78 / 70	0.872	1.550	36.61	69.82	-	3.41	-	-	-
2.03 / 80	0.996	1.771	42.03	79.95	-	3.94	-	-	-
2.29 / 90	1.121	1.992	47.44	90.09	-	4.46	-	-	-
2.54 / 100	1.245	2.214	52.85	100.23	-	4.95	-	-	-
3.05 / 120	1.494	2.657	63.68	120.50	-	6.00	3.18	-0.33	0.59-1.41
3.81 / 150	1.868	3.321	79.92	150.92	-	7.58	3.97	0.46	0.85-1.84
5.08 / 200	2.491	4.428	106.99	201.64	5.38	10.17	5.25	1.74	1.25-2.59
6.35 / 250	3.113	5.535	134.05	252.33	6.76	12.76	6.56	3.05	1.67-3.35
7.62 / 300	3.736	6.641	161.12	303.05	8.17	15.35	7.84	4.33	2.10-4.10
8.89 / 350	4.358	7.748	188.15	353.74	9.58	17.98	9.15	5.64	2.53-4.89
10.16 / 400	4.981	8.855	215.22	404.46	10.96	20.57	10.47	6.92	2.92-5.64
12.70 / 500	6.226	11.069	269.35	505.87	13.75	25.75	13.06	9.55	3.77-7.15
15.24 / 600	7.472	13.283	323.49	607.28	16.57	30.97	15.65	12.14	4.59-8.66
17.78 / 700	8.717	15.497	377.62	-	-	36.15	-	-	-
20.32 / 800	9.962	17.710	431.72	-	-	41.37	-	-	-
22.86 / 900	11.207	19.924	485.85	-	-	46.55	-	-	-
25.40 / 1000	12.453	22.138	539.99	-	-	51.77	-	-	-

\*1 When the Zoom lens (Model No: ET-D3LEW200) Fixed-focus Lens (Model No.: ET-D75LE95, ET-D3LEU100, ) or the Fisheye Lens (Model No.: ET-D3LEF70) is used, the projection relation between the screen and the projector differs from that of other lenses.

\*2 The throw ratio is based on the value during projection with the projected image size of 150 in.

Screen aspect ratio 4:3

Unit: meters

Lens type			Zoom lens																	
Projection lens Model No.			ET-D3LEW200*1	ET-D3LEW60/ ET-D75LE6		ET-D3LEW10		ET-D75LE10		ET-D3LES20/ ET-D75LE20		ET-D3LET30		ET-D75LE30		ET-D3LET40		ET-D75LE40		
Throw ratio*2			0.778-1.02:1	1.12-1.32:1		1.52-2.07:1		1.56-2.01:1		2.00-2.90:1		2.88-5.61:1		2.89-5.60:1		5.54-8.90:1		5.55-8.86:1		
Projection screen size			Projection distance (L)																	
Diagonal (SD)	Height (SH)	Width (SW)	min. (LW)	max. (LT)	min. (LW)	max. (LT)	min. (LW)	max. (LT)	min. (LW)	max. (LT)	min. (LW)	max. (LT)	min. (LW)	max. (LT)	min. (LW)	max. (LT)	min. (LW)	max. (LT)	min. (LW)	max. (LT)
1.78 / 70	1.067	1.422	-	-	1.55	1.85	2.10	2.89	2.17	2.80	2.80	4.07	4.02	7.88	4.04	7.88	7.78	12.56	7.80	12.52
2.03 / 80	1.219	1.626	-	-	1.78	2.13	2.42	3.32	2.49	3.22	3.21	4.67	4.61	9.03	4.64	9.03	8.92	14.38	8.94	14.34
2.29 / 90	1.372	1.829	-	-	2.01	2.40	2.73	3.75	2.81	3.63	3.62	5.27	5.21	10.18	5.23	10.19	10.06	16.20	10.07	16.15
2.54 / 100	1.524	2.032	-	-	2.24	2.68	3.04	4.18	3.13	4.05	4.03	5.86	5.80	11.34	5.82	11.34	11.19	18.03	11.21	17.96
3.05 / 120	1.829	2.438	-	-	2.70	3.22	3.67	5.03	3.77	4.88	4.86	7.06	6.99	13.64	7.01	13.64	13.46	21.67	13.48	21.59
3.81 / 150	2.286	3.048	-	-	3.38	4.05	4.61	6.31	4.74	6.13	6.09	8.85	8.76	17.10	8.79	17.09	16.87	27.13	16.89	27.02
5.08 / 200	3.048	4.064	3.16	4.16	4.53	5.42	6.17	8.45	6.35	8.21	8.15	11.84	11.73	22.86	11.76	22.85	22.55	36.24	22.58	36.09
6.35 / 250	3.810	5.080	3.97	5.23	5.68	6.80	7.74	10.59	7.96	10.28	10.20	14.83	14.69	28.63	14.73	28.61	28.23	45.34	28.26	45.15
7.62 / 300	4.572	6.096	4.79	6.30	6.83	8.17	9.30	12.73	9.56	12.36	12.26	17.82	17.65	34.39	17.70	34.36	33.91	54.45	33.94	54.21
8.89 / 350	5.334	7.112	5.60	7.37	7.97	9.55	10.87	14.87	11.17	14.44	14.32	20.81	20.61	40.15	20.67	40.12	39.59	63.55	39.63	63.27
10.16 / 400	6.096	8.128	6.42	8.43	9.12	10.92	12.43	17.01	12.78	16.52	16.38	23.80	23.58	45.91	23.63	45.88	45.27	72.66	45.31	72.33
12.70 / 500	7.620	10.160	8.05	10.57	11.41	13.67	15.56	21.29	16.00	20.68	20.49	29.78	29.50	57.44	29.57	57.39	56.63	90.87	56.68	90.45
15.24 / 600	9.144	12.192	9.67	12.70	13.71	16.42	18.69	25.56	19.21	24.83	24.61	35.76	35.43	68.97	35.51	68.91	67.99	109.08	68.05	108.58
17.78 / 700	10.668	14.224	-	-	16.00	19.17	21.82	29.84	22.43	28.99	28.72	41.74	41.36	80.49	41.45	80.42	79.35	127.29	79.41	126.70
20.32 / 800	12.192	16.256	-	-	18.30	21.92	24.95	34.12	25.65	33.15	32.84	47.72	47.28	92.02	47.38	91.93	90.70	145.50	90.78	144.82
22.86 / 900	13.716	18.288	-	-	20.59	24.66	28.09	38.40	28.86	37.31	36.95	53.70	53.21	103.54	53.32	103.45	102.06	163.71	102.15	162.95
25.40 / 1000	15.240	20.320	-	-	22.89	27.41	31.22	42.67	32.08	41.46	41.07	59.68	59.13	115.03	59.26	114.96	113.42	181.92	113.52	181.07

Unit: meters

Lens type			Zoom lens		Fixed-Focus Lens				
Projection lens Model No.			ET-D3LET80/ ET-D75LE8	ET-D3LEU100*1	ET-D3LEW50/ ET-D75LE50		ET-D75LE95*1		
Throw ratio*2			8.82-16.6:1	0.446:1	0.836:1		0.436:1		
Projection screen size			Projection distance (L)				Projection distance (L1)	Distance between the projector and the screen	
Diagonal (SD)	Height (SH)	Width (SW)	min. (LW)	max. (LT)	Fixed	Fixed		(L4)	(A1)
1.78 / 70	1.067	1.422	12.33	23.47	-	1.15	-	-	-
2.03 / 80	1.219	1.626	14.15	26.88	-	1.33	-	-	-
2.29 / 90	1.372	1.829	15.97	30.28	-	1.50	-	-	-
2.54 / 100	1.524	2.032	17.78	33.69	-	1.67	-	-	-
3.05 / 120	1.829	2.438	21.42	40.50	-	2.02	1.07	-0.01	0.21-0.39
3.81 / 150	2.286	3.048	26.87	50.71	-	2.55	1.33	0.26	0.29-0.52
5.08 / 200	3.048	4.064	35.96	67.73	1.81	3.42	1.76	0.69	0.43-0.74
6.35 / 250	3.810	5.080	45.04	84.75	2.28	4.29	2.20	1.13	0.57-0.95
7.62 / 300	4.572	6.096	54.13	101.78	2.75	5.17	2.64	1.56	0.71-1.17
8.89 / 350	5.334	7.112	63.21	118.80	3.22	6.04	3.07	2.00	0.85-1.38
10.16 / 400	6.096	8.128	72.30	135.82	3.69	6.91	3.51	2.43	0.99-1.60
12.70 / 500	7.620	10.160	90.47	169.87	4.63	8.66	4.38	3.31	1.27-2.03
15.24 / 600	9.144	12.192	108.64	203.91	5.56	10.40	5.25	4.18	1.55-2.46
17.78 / 700	10.668	14.224	126.81	-	-	12.15	-	-	-
20.32 / 800	12.192	16.256	144.98	-	-	13.90	-	-	-
22.86 / 900	13.716	18.288	163.15	-	-	15.64	-	-	-
25.40 / 1000	15.240	20.320	181.33	-	-	17.39	-	-	-

\*1 When the Zoom lens (Model No: ET-D3LEW200) Fixed-focus Lens (Model No.: ET-D75LE95, ET-D3LEU100, ) or the Fisheye Lens (Model No.: ET-D3LEF70) is used, the projection relation between the screen and the projector differs from that of other lenses.

\*2 The throw ratio is based on the value during projection with the projected image size of 150 in.

Screen aspect ratio 4:3

Unit: feet

Lens type			Zoom lens																	
Projection lens Model No.			ET-D3LEW200*1	ET-D3LEW60/ ET-D75LE6		ET-D3LEW10		ET-D75LE10		ET-D3LES20/ ET-D75LE20		ET-D3LET30		ET-D75LE30		ET-D3LET40		ET-D75LE40		
Throw ratio*2			0.778-1.02:1	1.12-1.32:1		1.52-2.07:1		1.56-2.01:1		2.00-2.90:1		2.88-5.61:1		2.89-5.60:1		5.54-8.90:1		5.55-8.86:1		
Projection screen size			Projection distance (L)																	
Diagonal (SD)	Height (SH)	Width (SW)	min. (LW)	max. (LT)	min. (LW)	max. (LT)	min. (LW)	max. (LT)	min. (LW)	max. (LT)	min. (LW)	max. (LT)	min. (LW)	max. (LT)	min. (LW)	max. (LT)	min. (LW)	max. (LT)	min. (LW)	max. (LT)
1.78 / 70	1.067	1.422	-	-	5.09	6.07	6.89	9.48	7.12	9.19	9.19	13.35	13.19	25.85	13.25	25.85	25.52	41.21	25.59	41.08
2.03 / 80	1.219	1.626	-	-	5.84	6.99	7.94	10.89	8.17	10.56	10.53	15.32	15.12	29.63	15.22	29.63	29.26	47.18	29.33	47.05
2.29 / 90	1.372	1.829	-	-	6.59	7.87	8.96	12.30	9.22	11.91	11.88	17.29	17.09	33.40	17.16	33.43	33.00	53.15	33.04	52.98
2.54 / 100	1.524	2.032	-	-	7.35	8.79	9.97	13.71	10.27	13.29	13.22	19.23	19.03	37.20	19.09	37.20	36.71	59.15	36.78	58.92
3.05 / 120	1.829	2.438	-	-	8.86	10.56	12.04	16.50	12.37	16.01	15.94	23.16	22.93	44.75	23.00	44.75	44.16	71.09	44.23	70.83
3.81 / 150	2.286	3.048	-	-	11.09	13.29	15.12	20.70	15.55	20.11	19.98	29.04	28.74	56.10	28.84	56.07	55.35	89.01	55.41	88.65
5.08 / 200	3.048	4.064	10.37	13.65	14.86	17.78	20.24	27.72	20.83	26.94	26.74	38.84	38.48	75.00	38.58	74.97	73.98	118.90	74.08	118.40
6.35 / 250	3.810	5.080	13.02	17.16	18.63	22.31	25.39	34.74	26.12	33.73	33.46	48.65	48.19	93.93	48.33	93.86	92.62	148.75	92.72	148.13
7.62 / 300	4.572	6.096	15.72	20.67	22.41	26.80	30.51	41.76	31.36	40.55	40.22	58.46	57.91	112.83	58.07	112.73	111.25	178.64	111.35	177.85
8.89 / 350	5.334	7.112	18.37	24.18	26.15	31.33	35.66	48.79	36.65	47.37	46.98	68.27	67.62	131.72	67.81	131.63	129.89	208.49	130.02	207.58
10.16 / 400	6.096	8.128	21.06	27.66	29.92	35.83	40.78	55.81	41.93	54.20	53.74	78.08	77.36	150.62	77.53	150.52	148.52	238.38	148.65	237.30
12.70 / 500	7.620	10.160	26.41	34.68	37.43	44.85	51.05	69.85	52.49	67.85	67.22	97.70	96.78	188.45	97.01	188.29	185.79	298.13	185.96	296.75
15.24 / 600	9.144	12.192	31.73	41.67	44.98	53.87	61.32	83.86	63.02	81.46	80.74	117.32	116.24	226.28	116.50	226.08	223.06	357.87	223.26	356.23
17.78 / 700	10.668	14.224	-	-	52.49	62.89	71.59	97.90	73.59	95.11	94.22	136.94	135.69	264.07	135.99	263.84	260.33	417.61	260.53	415.68
20.32 / 800	12.192	16.256	-	-	60.04	71.92	81.86	111.94	84.15	108.76	107.74	156.56	155.12	301.90	155.44	301.60	297.57	477.36	297.83	475.13
22.86 / 900	13.716	18.288	-	-	67.55	80.90	92.16	125.98	94.68	122.41	121.23	176.18	174.57	339.69	174.93	339.40	334.84	537.10	335.13	534.61
25.40 / 1000	15.240	20.320	-	-	75.10	89.93	102.43	139.99	105.25	136.02	134.74	195.80	193.99	377.39	194.42	377.16	372.11	596.84	372.44	594.05

Unit: feet

Lens type			Zoom lens		Fixed-Focus Lens				
Projection lens Model No.			ET-D3LET80/ ET-D75LE8	ET-D3LEU100*1	ET-D3LEW50/ ET-D75LE50	ET-D75LE95*1			
Throw ratio*2			8.82-16.6:1	0.446:1	0.836:1	0.436:1			
Projection screen size			Projection distance (L)				Projection distance (L1)	Distance between the projector and the screen	
Diagonal (SD)	Height (SH)	Width (SW)	min. (LW)	max. (LT)	Fixed	Fixed		(L4)	(A1)
1.78 / 70	1.067	1.422	40.45	77.00	-	3.77	-	-	-
2.03 / 80	1.219	1.626	46.42	88.19	-	4.36	-	-	-
2.29 / 90	1.372	1.829	52.39	99.34	-	4.92	-	-	-
2.54 / 100	1.524	2.032	58.33	110.53	-	5.48	-	-	-
3.05 / 120	1.829	2.438	70.27	132.87	-	6.63	3.51	-0.03	0.69-1.28
3.81 / 150	2.286	3.048	88.16	166.37	-	8.37	4.36	0.85	0.95-1.71
5.08 / 200	3.048	4.064	117.98	222.21	5.94	11.22	5.77	2.26	1.41-2.43
6.35 / 250	3.810	5.080	147.77	278.05	7.48	14.07	7.22	3.71	1.87-3.12
7.62 / 300	4.572	6.096	177.59	333.92	9.02	16.96	8.66	5.12	2.33-3.84
8.89 / 350	5.334	7.112	207.38	389.76	10.56	19.82	10.07	6.56	2.79-4.53
10.16 / 400	6.096	8.128	237.20	445.60	12.11	22.67	11.52	7.97	3.25-5.25
12.70 / 500	7.620	10.160	296.81	557.31	15.19	28.41	14.37	10.86	4.17-6.66
15.24 / 600	9.144	12.192	356.43	668.99	18.24	34.12	17.22	13.71	5.09-8.07
17.78 / 700	10.668	14.224	416.04	-	-	39.86	-	-	-
20.32 / 800	12.192	16.256	475.65	-	-	45.60	-	-	-
22.86 / 900	13.716	18.288	535.26	-	-	51.31	-	-	-
25.40 / 1000	15.240	20.320	594.91	-	-	57.05	-	-	-

\*1 When the Zoom lens (Model No: ET-D3LEW200) Fixed-focus Lens (Model No.: ET-D75LE95, ET-D3LEU100, ) or the Fisheye Lens (Model No.: ET-D3LEF70) is used, the projection relation between the screen and the projector differs from that of other lenses.

\*2 The throw ratio is based on the value during projection with the projected image size of 150 in.

**Calculation of the projection distance**

To use a projected image size not listed in this manual, check the projected image size SD (m) and use the respective formula to calculate projection distance.

The unit of all the formulae is m. (Values obtained by the following calculation formulae contain a slight error.)

When calculating a projection distance using image size designation (Value in inches), multiply the value in inches by 0.0254 and substitute it into SD in the formula for calculating the projection distance.

Zoom lens

Unit: m

Projection lens Model No.	Throw ratio	Aspect ratio	Projection distance (L) calculation formula	
			Minimum (LW)	Maximum (LT)
ET-D3LEW200	0.645 – 0.850:1	16:10	$=0.5665 \times SD - 0.1001$	$=0.7425 \times SD - 0.1076$
	0.646 – 0.851:1	16:9	$=0.5823 \times SD - 0.1001$	$=0.7632 \times SD - 0.1076$
	0.778 – 1.02:1	4:3	$=0.6414 \times SD - 0.1001$	$=0.8406 \times SD - 0.1076$
ET-D3LEW60/ ET-D75LE6	0.924 – 1.10:1	16:10	$=0.7979 \times SD - 0.0566$	$=0.9559 \times SD - 0.0736$
	0.924 – 1.10:1	16:9	$=0.8201 \times SD - 0.0566$	$=0.9825 \times SD - 0.0736$
	1.12 – 1.32:1	4:3	$=0.9032 \times SD - 0.0566$	$=1.0822 \times SD - 0.0736$
ET-D3LEW10	1.26 – 1.72:1	16:10	$=1.0886 \times SD - 0.0867$	$=1.4876 \times SD - 0.1025$
	1.26 – 1.72:1	16:9	$=1.1188 \times SD - 0.0867$	$=1.5290 \times SD - 0.1025$
	1.52 – 2.07:1	4:3	$=1.2324 \times SD - 0.0867$	$=1.6841 \times SD - 0.1025$
ET-D75LE10	1.30 – 1.67:1	16:10	$=1.1186 \times SD - 0.0857$	$=1.4458 \times SD - 0.1085$
	1.30 – 1.67:1	16:9	$=1.1497 \times SD - 0.0857$	$=1.4860 \times SD - 0.1085$
	1.56 – 2.01:1	4:3	$=1.2663 \times SD - 0.0857$	$=1.6367 \times SD - 0.1085$
ET-D3LES20/ ET-D75LE20	1.67 – 2.41:1	16:10	$=1.4312 \times SD - 0.0832$	$=2.0795 \times SD - 0.1162$
	1.67 – 2.41:1	16:9	$=1.4709 \times SD - 0.0832$	$=2.1373 \times SD - 0.1162$
	2.00 – 2.90:1	4:3	$=1.6202 \times SD - 0.0832$	$=2.3542 \times SD - 0.1162$
ET-D3LET30	2.40 – 4.66:1	16:10	$=2.0609 \times SD - 0.1261$	$=4.0084 \times SD - 0.1892$
	2.40 – 4.66:1	16:9	$=2.1182 \times SD - 0.1261$	$=4.1198 \times SD - 0.1892$
	2.88 – 5.61:1	4:3	$=2.3331 \times SD - 0.1261$	$=4.5378 \times SD - 0.1892$
ET-D75LE30	2.40 – 4.66:1	16:10	$=2.0647 \times SD - 0.1131$	$=4.0041 \times SD - 0.1765$
	2.41 – 4.66:1	16:9	$=2.1221 \times SD - 0.1131$	$=4.1155 \times SD - 0.1765$
	2.89 – 5.60:1	4:3	$=2.3374 \times SD - 0.1131$	$=4.5330 \times SD - 0.1765$
ET-D3LET40	4.61 – 7.41:1	16:10	$=3.9505 \times SD - 0.1673$	$=6.3330 \times SD - 0.1846$
	4.61 – 7.41:1	16:9	$=4.0601 \times SD - 0.1673$	$=6.5091 \times SD - 0.1846$
	5.54 – 8.90:1	4:3	$=4.4720 \times SD - 0.1673$	$=7.1694 \times SD - 0.1846$
ET-D75LE40	4.62 – 7.38:1	16:10	$=3.9532 \times SD - 0.1577$	$=6.3027 \times SD - 0.1615$
	4.62 – 7.38:1	16:9	$=4.0631 \times SD - 0.1577$	$=6.4779 \times SD - 0.1615$
	5.55 – 8.86:1	4:3	$=4.4754 \times SD - 0.1577$	$=7.1351 \times SD - 0.1615$
ET-D3LET80/ ET-D75LE8	7.34 – 13.8:1	16:10	$=6.3193 \times SD - 0.3862$	$=11.8400 \times SD - 0.3598$
	7.34 – 13.8:1	16:9	$=6.4950 \times SD - 0.3862$	$=12.1692 \times SD - 0.3598$
	8.82 – 16.6:1	4:3	$=7.1540 \times SD - 0.3862$	$=13.4039 \times SD - 0.3598$



Fixed lens

Unit: m

Projection lens Model No.	Throw ratio	Aspect ratio	Projection distance (L) calculation formula
ET-D3LEU100	0.370:1	16:10	$=0.3264 \times SD - 0.0664$
	0.370:1	16:9	$=0.3355 \times SD - 0.0664$
	0.446:1	4:3	$=0.3695 \times SD - 0.0664$
ET-D3LEW50/ ET-D75LE50	0.694:1	16:10	$=0.6072 \times SD - 0.0713$
	0.695:1	16:9	$=0.6240 \times SD - 0.0713$
	0.836:1	4:3	$=0.6873 \times SD - 0.0713$

Projection lens Model No.	Throw ratio	Aspect ratio	Projection distance (L) calculation formula	Distance between the projector and the screen (A1) calculation formula	
				Minimum	Maximum
ET-D75LE95	0.364:1	16:10	$=0.303 \times SD + 0.020$	$=0.184 \times SH - 0.128$	$=0.283 \times SH - 0.128$
	0.364:1	16:9	$=0.312 \times SD + 0.020$	$=0.205 \times SH - 0.128$	$=0.370 \times SH - 0.128$
	0.436:1	4:3	$=0.343 \times SD + 0.020$	$=0.184 \times SH - 0.128$	$=0.283 \times SH - 0.128$

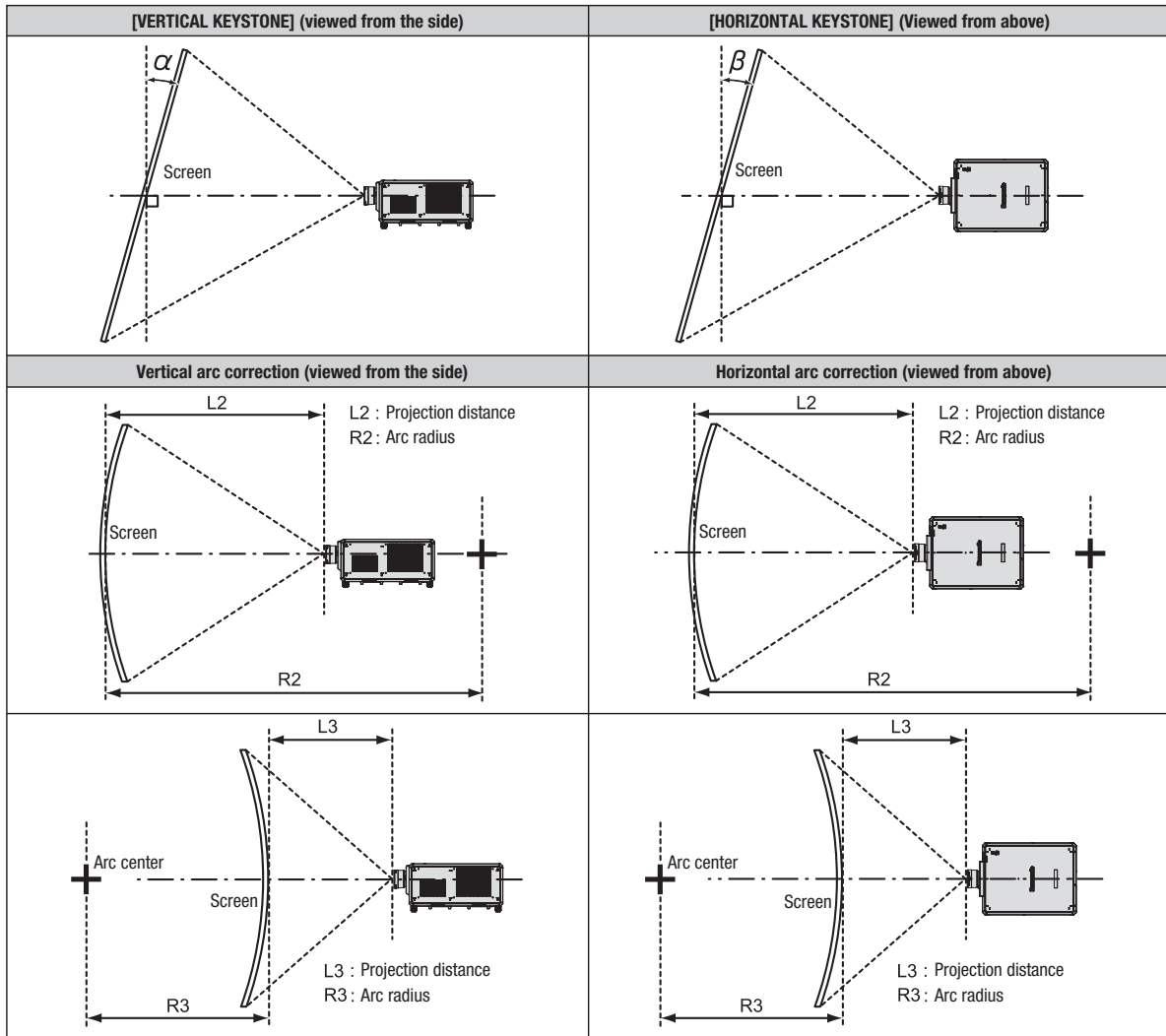
**Lens shift range**

Optical axis shift function allows to shift the position of a projected image as shown below.

Projection lens Model No.	ET-D3LEW10, ET-D3LES20, ET-D3LET30, ET-D3LET40, ET-D3LET80, ET-D75LE10, ET-D75LE20, ET-D75LE30, ET-D75LE40, ET-D75LE8	ET-D3LEW60, ET-D75LE6
Lens shift range		
Projection lens Model No.	ET-D3LEW200	ET-D3LEU100
Lens shift range		
Projection lens Model No.	ET-D75LE95	ET-D3LEF70
Lens shift range		

\* When using the fixed lens (Model No.: ET-D3LEW50, D75LE50) Use the projection lens in the standard projection position without adjusting the lens shift.

Keystone correction range



Projection lens Model No.	Only [KEYSTONE] used*1		[KEYSTONE] and [CURVED] used together				Only [CURVED] used	
	Vertical keystone correction angle $\alpha$ (°)	Horizontal keystone correction angle $\beta$ (°)	Vertical keystone correction angle $\alpha$ (°)	Horizontal keystone correction angle $\beta$ (°)	Min. value of R2/L2	Min. value of R3/L3	Min. value of R2/L2	Min. value of R3/L3
ET-D3LEW200	± 15	±5	-	-	-	-	-	-
ET-D3LEW60 ET-D75LE6	± 28	± 15	± 10	± 10	1.2	3.0	0.7	1.7
ET-D3LEW10 ET-D75LE10	± 40	± 40	± 20	± 15	0.9	2.0	0.5	1.1
ET-D3LES20 ET-D75LE20	± 40	± 40	± 20	± 15	0.7	1.3	0.4	0.7
ET-D3LET30 ET-D75LE30	± 45	± 40	± 20	± 15	0.5	0.9	0.3	0.5
ET-D3LET40 ET-D75LE40	± 45	± 40	± 20	± 15	0.3	0.5	0.2	0.3
ET-D3LET80 ET-D75LE8	± 45	± 40	± 20	± 15	0.2	0.3	0.1	0.2
ET-D3LEU100	±8	±5	-	-	-	-	-	-
ET-D3LEW50 ET-D75LE50	± 22	± 15	±8	±8	1.5	3.7	0.9	2.2
ET-D75LE95 <sup>2</sup>	+ 5/- 0	0	-	-	-	-	-	-

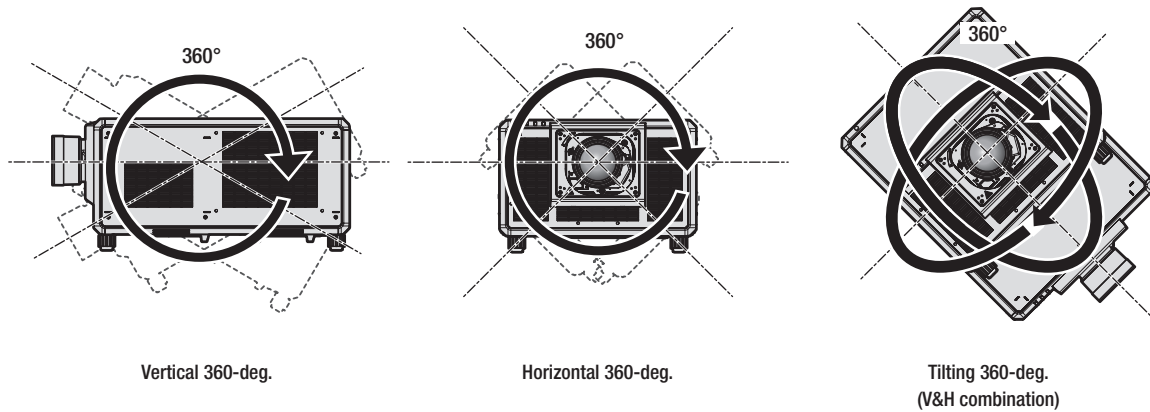
\*1 When [VERTICAL KEYSTONE] and [HORIZONTAL KEYSTONE] are used simultaneously, correction cannot be made exceeding total of 55°.  
 \*2 Only the vertical keystone correction angle can be corrected in the direction in which the projector body moves away from the screen.

Note

- When [GEOMETRY] is used, the focus of the entire screen may be lost as correction increases.
- Make the curved screen a circular arc shape with one part of a perfect circle removed.
- Adjustment range of the [GEOMETRY] items may not match the listed projection range depending on the projection lens. Use this projector within the projection range, otherwise the correction may not work.

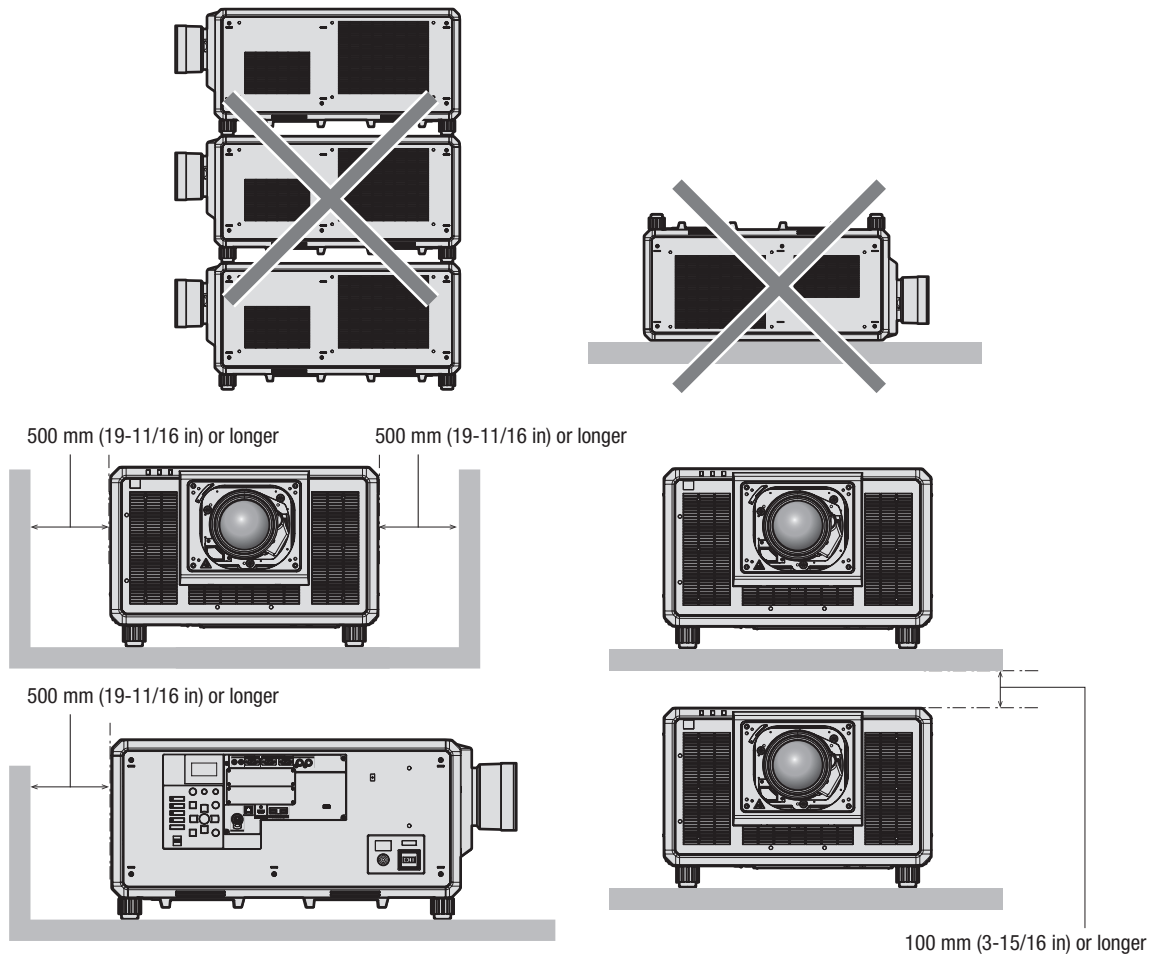
**Installable angle**

360° omnidirectional projection is possible.



**Notes on installation**

- Do not stack three or more projectors.
- Do not use the projector supporting it by the top.
- Do not block the ventilation ports (intake and exhaust) of the projector.
- Prevent hot and cool air from the air conditioning system to blow directly into the ventilation ports (intake and exhaust) of the projector.



- Do not install the projector in a confined space.
- When installing the projector in a confined space, provide air conditioning or ventilation separately. Exhaust heat may accumulate when the ventilation is not enough, triggering the protection circuit of the projector.
- Panasonic takes no responsibility for any damage to the product caused by an inappropriate choice of location for installing the projector, even if the warranty period of the product has not expired.

List of compatible signals

For details of DisplayPort signal, refer to “List of DisplayPort compatible signals.” For details of SDI signal, refer to “List of single link SDI compatible signals,” “List of dual link SDI compatible signals,” and “List of quad link SDI compatible signals”. This projector supports the signal with ✓ in the compatible signal column.

Signal name (SIGNAL FORMAT)	Resolution (Dots)	Scanning freq.		Dot clock freq. (MHz)	Compatible signal		
		H (kHz)	V (Hz)		DIGITAL LINK	HDMI	DVI-D*1
480/60p	720 x 480	31.5	59.9	27.0	✓	✓	✓
576/50p	720 x 576	31.3	50.0	27.0	✓	✓	✓
720/60p	1280 x 720	45.0	60.0*2	74.3	✓	✓	✓
720/50p	1280 x 720	37.5	50.0	74.3	✓	✓	✓
720/120p	1280 x 720	90.0	120.0*2	148.5	✓	✓	—
1080/60i	1920 x 1080i	33.8	60.0*2	74.3	✓	✓	✓
1080/50i	1920 x 1080i	28.1	50.0	74.3	✓	✓	✓
1080/24p	1920 x 1080	27.0	24.0*2	74.3	✓	✓	✓
1080/24sF	1920 x 1080i	27.0	48.0*2	74.3	✓	✓	✓
1080/25p	1920 x 1080	28.1	25.0	74.3	✓	✓	✓
1080/30p	1920 x 1080	33.8	30.0*2	74.3	✓	✓	✓
1080/60p	1920 x 1080	67.5	60.0*2	148.5	✓	✓	✓
1080/50p	1920 x 1080	56.3	50.0	148.5	✓	✓	✓
1080/120p	1920 x 1080	135.0	120.0*2	297.0	✓	✓	—
3840 x 2160/24p	3840 x 2160	54.0	24.0*2	297.0	✓	✓	—
3840 x 2160/25p	3840 x 2160	56.3	25.0	297.0	✓	✓	—
3840 x 2160/30p	3840 x 2160	67.5	30.0*2	297.0	✓	✓	—
3840 x 2160/60p	3840 x 2160	135.0	60.0*2	297.0	✓*3	✓*3	—
	3840 x 2160	135.0	60.0*2	594.0	✓	✓	—
3840 x 2160/50p	3840 x 2160	112.5	50.0	297.0	✓*3	✓*3	—
	3840 x 2160	112.5	50.0	594.0	—	✓	—
4096 x 2160/24p	4096 x 2160	54.0	24.0*2	297.0	✓	✓	—
4096 x 2160/25p	4096 x 2160	56.3	25.0	297.0	✓	✓	—
4096 x 2160/30p	4096 x 2160	67.5	30.0*2	297.0	✓	✓	—
4096 x 2160/60p	4096 x 2160	135.0	60.0*2	297.0	✓*3	✓*3	—
	4096 x 2160	135.0	60.0*2	594.0	—	✓	—
4096 x 2160/50p	4096 x 2160	112.5	50.0	297.0	✓*3	✓*3	—
	4096 x 2160	112.5	50.0	594.0	—	✓	—
640 x 480/60	640 x 480	31.5	59.9	25.2	✓	✓	✓
1024 x 768/50	1024 x 768	39.6	50.0	51.9	✓	✓	✓
1024 x 768/60	1024 x 768	48.4	60.0	65.0	✓	✓	✓
1280 x 800/50	1280 x 800	41.3	50.0	68.0	✓	✓	✓
1280 x 800/60	1280 x 800	49.7	59.8	83.5	✓	✓	✓
1280 x 1024/50	1280 x 1024	52.4	50.0	88.0	✓	✓	✓
1280 x 1024/60	1280 x 1024	64.0	60.0	108.0	✓	✓	✓
1366 x 768/50	1366 x 768	39.6	49.9	69.0	✓	✓	✓
1366 x 768/60	1366 x 768	47.7	59.8	85.5	✓	✓	✓
1400 x 1050/50	1400 x 1050	54.1	50.0	99.9	✓	✓	✓
1400 x 1050/60	1400 x 1050	65.2	60.0	122.6	✓	✓	✓
1440 x 900/50	1440 x 900	46.3	49.9	86.8	✓	✓	✓
1440 x 900/60	1440 x 900	55.9	59.9	106.5	✓	✓	✓
1600 x 900/50	1600 x 900	46.4	49.9	96.5	✓	✓	✓
1600 x 900/60	1600 x 900	55.9	60.0	119.0	✓	✓	✓
1600 x 1200/50	1600 x 1200	61.8	49.9	131.5	✓	✓	✓
1600 x 1200/60	1600 x 1200	75.0	60.0	162.0	✓	✓	✓
1680 x 1050/50	1680 x 1050	54.1	50.0	119.5	✓	✓	✓
1680 x 1050/60	1680 x 1050	65.3	60.0	146.3	✓	✓	✓
1920 x 1200/50	1920 x 1200	61.8	49.9	158.3	✓	✓	✓
1920 x 1200/60RB	1920 x 1200*4	74.0	60.0	154.0	✓	✓	✓
3840 x 2400/30	3840 x 2400*4	73.0	30.0	286.2	✓	✓	—
3840 x 2400/50	3840 x 2400*4	122.9	50.0	481.6	—	✓	—
3840 x 2400/60	3840 x 2400*4	148.1	60.0	592.5	—	✓	—

\*1 This is supported when the optional Interface Board for DVI-D 2 input (Model No.: ET-MDNDV10) is installed in the slot.

\*2 The signal with 1/1.001x vertical scanning frequency is also supported.

\*3 YPbPr 4:2:0 format only

\*4 VESA CVT-RB (Reduced Blanking)-compliant

Note

- A signal with a different resolution is converted to the number of display dots. The number of display dots is as follows. 1920 x 1200
- The “i” at the end of the resolution indicates an interlaced signal.
- When interlaced signals are connected, flickering may occur on the projected image.

**List of Plug and play compatible signals**

The following table specifies the video signals compatible with plug and play.

Signal with ✓ in the plug and play compatible signal column is the signal described in the EDID (extended display identification data) of the projector.

For the signal without ✓ in the plug and play compatible signal column, the resolution may not be selected on the computer even if the projector is supporting it.

Signal name (SIGNAL FORMAT)	Resolution (Dots)	Scanning freq.		Dot clock freq. (MHz)	Plug and play Compatible signal								
		H (kHz)	V (Hz)		DIGITAL LINK			HDMI			DVI-D		
					4K/60p	4K/30p*1	2K	4K/60p*2	4K/30p	2K	EDID1	EDID2	EDID3
480/60p	720 x 480	31.5	59.9	27.0	✓	✓	✓	✓	✓	✓	✓	—	✓
576/50p	720 x 576	31.3	50.0	27.0	✓	✓	✓	✓	✓	✓	✓	—	✓
720/60p	1280 x 720	45.0	60.0	74.3	✓	✓	✓	✓	✓	✓	✓	—	✓
720/50p	1280 x 720	37.5	50.0	74.3	✓	✓	✓	✓	✓	✓	✓	—	✓
720/120p	1280 x 720	90.0	120.0	148.5	—	—	—	—	—	—	—	—	—
1080/60i	1920 x 1080i	33.8	60.0	74.3	✓	✓	✓	✓	✓	✓	✓	—	✓
1080/50i	1920 x 1080i	28.1	50.0	74.3	✓	✓	✓	✓	✓	✓	✓	—	✓
1080/24p	1920 x 1080	27.0	24.0	74.3	✓	✓	✓	✓	✓	✓	✓	—	✓
1080/24sF	1920 x 1080i	27.0	48.0	74.3	—	—	—	—	—	—	—	—	—
1080/25p	1920 x 1080	28.1	25.0	74.3	✓	✓	✓	✓	✓	✓	✓	—	✓
1080/30p	1920 x 1080	33.8	30.0	74.3	✓	✓	✓	✓	✓	✓	✓	—	✓
1080/60p	1920 x 1080	67.5	60.0	148.5	✓	✓	✓	✓	✓	✓	✓	—	✓
1080/50p	1920 x 1080	56.3	50.0	148.5	✓	✓	✓	✓	✓	✓	✓	—	✓
1080/120p	1920 x 1080	135.0	120.0	297.0	✓	✓	—	✓	✓	—	—	—	—
3840 x 2160/24p	3840 x 2160	54.0	24.0	297.0	✓	✓	—	✓	✓	—	—	—	—
3840 x 2160/25p	3840 x 2160	56.3	25.0	297.0	✓	✓	—	✓	✓	—	—	—	—
3840 x 2160/30p	3840 x 2160	67.5	30.0	297.0	✓	✓	—	✓	✓	—	—	—	—
3840 x 2160/60p	3840 x 2160	135.0	60.0	297.0	✓*3	—	—	✓*3	—	—	—	—	—
	3840 x 2160	135.0	60.0	594.0	—	—	—	✓	—	—	—	—	—
3840 x 2160/50p	3840 x 2160	112.5	50.0	297.0	✓*3	—	—	✓*3	—	—	—	—	—
	3840 x 2160	112.5	50.0	594.0	—	—	—	✓	—	—	—	—	—
4096 x 2160/24p	4096 x 2160	54.0	24.0	297.0	✓	✓	—	✓	✓	—	—	—	—
4096 x 2160/25p	4096 x 2160	56.3	25.0	297.0	✓	✓	—	✓	✓	—	—	—	—
4096 x 2160/30p	4096 x 2160	67.5	30.0	297.0	✓	✓	—	✓	✓	—	—	—	—
4096 x 2160/60p	4096 x 2160	135.0	60.0	297.0	✓*3	—	—	✓*3	—	—	—	—	—
	4096 x 2160	135.0	60.0	594.0	—	—	—	✓	—	—	—	—	—
4096 x 2160/50p	4096 x 2160	112.5	50.0	297.0	✓*3	—	—	✓*3	—	—	—	—	—
	4096 x 2160	112.5	50.0	594.0	—	—	—	✓	—	—	—	—	—
640 x 480/60	640 x 480	31.5	59.9	25.2	✓	✓	✓	✓	✓	✓	✓	✓	✓
1024 x 768/50	1024 x 768	39.6	50.0	51.9	—	—	—	—	—	—	—	—	—
1024 x 768/60	1024 x 768	48.4	60.0	65.0	✓	✓	✓	✓	✓	✓	—	✓	✓
1280 x 800/50	1280 x 800	41.3	50.0	68.0	—	—	—	—	—	—	—	—	—
1280 x 800/60	1280 x 800	49.7	59.8	83.5	—	—	—	—	—	—	—	—	—
1280 x 1024/50	1280 x 1024	52.4	50.0	88.0	—	—	—	—	—	—	—	—	—
1280 x 1024/60	1280 x 1024	64.0	60.0	108.0	—	—	—	—	—	—	—	—	—
1366 x 768/50	1366 x 768	39.6	49.9	69.0	—	—	—	—	—	—	—	—	—
1366 x 768/60	1366 x 768	47.7	59.8	85.5	—	—	—	—	—	—	—	—	—
1400 x 1050/50	1400 x 1050	54.1	50.0	99.9	—	—	—	—	—	—	—	—	—
1400 x 1050/60	1400 x 1050	65.2	60.0	122.6	✓	✓	✓	✓	✓	✓	—	✓	✓
1440 x 900/50	1440 x 900	46.3	49.9	86.8	—	—	—	—	—	—	—	—	—
1440 x 900/60	1440 x 900	55.9	59.9	106.5	—	—	—	—	—	—	—	—	—
1600 x 900/50	1600 x 900	46.4	49.9	96.5	—	—	—	—	—	—	—	—	—
1600 x 900/60	1600 x 900	55.9	60.0	119.0	✓	✓	✓	✓	✓	✓	—	✓	✓
1600 x 1200/50	1600 x 1200	61.8	49.9	131.5	—	—	—	—	—	—	—	—	—
1600 x 1200/60	1600 x 1200	75.0	60.0	162.0	✓	✓	✓	✓	✓	✓	—	✓	✓
1680 x 1050/50	1680 x 1050	54.1	50.0	119.5	—	—	—	—	—	—	—	—	—
1680 x 1050/60	1680 x 1050	65.3	60.0	146.3	—	—	—	—	—	—	—	—	—
1920 x 1200/50	1920 x 1200	61.8	49.9	158.3	—	—	—	—	—	—	—	—	—
1920 x 1200/60RB	1920 x 1200*4	74.0	60.0	154.0	✓	✓	✓	✓	✓	✓	—	✓	✓
3840 x 2400/30	3840 x 2400*4	73.0	30.0	286.2	—	—	—	—	—	—	—	—	—
3840 x 2400/50	3840 x 2400*4	122.9	50.0	481.6	—	—	—	—	—	—	—	—	—
3840 x 2400/60	3840 x 2400*4	148.1	60.0	592.5	—	—	—	—	—	—	—	—	—

\*1 4K/30p indicates 4K/30p/SDR and 4K/30p/HDR.

\*2 4K/60p indicates 4K/60p/SDR and 4K/60p/HDR.

\*2 YPbPr 4:2:0 format only

\*4 VESA CVT-RB (Reduced Blanking)-compliant

### List of DisplayPort compatible signals

The following table specifies the DisplayPort signals that the projector can project.

This is supported when the optional Interface Board for DisplayPort 2 input (Model No.: ET-MDNDP10) is installed in the slot.

The following table specifies the video signals compatible with plug and play. Signal with ✓ in the plug and play compatible signal column is the signal described in the EDID (extended display identification data) of the projector. For the signal without ✓ in the plug and play compatible signal column, the resolution may not be selected on the computer even if the projector is supporting it.

Signal name (SIGNAL FORMAT)	Resolution (Dots)	Scanning freq.		Dot clock freq. (MHz)	Plug and play Compatible signal		
		H (KHz)	V (Hz)		4K/60p/HDR 4K/60p/SDR	4K/30p	2K
720/60p	1280 x 720	45.0	60.0*1	74.3	✓	✓	✓
720/50p	1280 x 720	37.5	50.0	74.3	✓	✓	✓
720/120p	1280 x 720	90.0	120.0*1	148.5	—	—	—
1080/24p	1920 x 1080	27.0	24.0*1	74.3	✓	✓	✓
1080/25p	1920 x 1080	28.1	25.0	74.3	✓	✓	✓
1080/30p	1920 x 1080	33.8	30.0*1	74.3	✓	✓	✓
1080/60p	1920 x 1080	67.5	60.0*1	148.5	✓	✓	✓
1080/50p	1920 x 1080	56.3	50.0	148.5	✓	✓	✓
1080/120p	1920 x 1080	135.0	120.0*1	297.0	✓	✓	—
3840 x 2160/24p	3840 x 2160	54.0	24.0*1	297.0	✓	✓	—
3840 x 2160/25p	3840 x 2160	56.3	25.0	297.0	✓	✓	—
3840 x 2160/30p	3840 x 2160	67.5	30.0*1	297.0	✓	✓	—
3840 x 2160/60p	3840 x 2160	135.0	60.0*1	594.0	✓	—	—
3840 x 2160/50p	3840 x 2160	112.5	50.0	594.0	✓	—	—
4096 x 2160/24p	4096 x 2160	54.0	24.0*1	297.0	✓	✓	—
4096 x 2160/25p	4096 x 2160	56.3	25.0	297.0	✓	✓	—
4096 x 2160/30p	4096 x 2160	67.5	30.0*1	297.0	✓	✓	—
4096 x 2160/60p	4096 x 2160	135.0	60.0*1	594.0	✓	—	—
4096 x 2160/50p	4096 x 2160	112.5	50.0	594.0	✓	—	—
640 x 480/60	640 x 480	31.5	59.9	25.2	✓	✓	✓
1024 x 768/50	1024 x 768	39.6	50.0	51.9	—	—	—
1024 x 768/60	1024 x 768	48.4	60.0	65.0	✓	✓	✓
1280 x 800/50	1280 x 800	41.3	50.0	68.0	—	—	—
1280 x 800/60	1280 x 800	49.7	59.8	83.5	—	—	—
1400 x 1050/50	1400 x 1050	54.1	50.0	99.9	—	—	—
1400 x 1050/60	1400 x 1050	65.2	60.0	122.6	✓	✓	✓
1600 x 900/50	1600 x 900	46.4	49.9	96.5	—	—	—
1600 x 900/60	1600 x 900	55.9	60.0	119.0	✓	✓	✓
1600 x 1200/50	1600 x 1200	61.8	49.9	131.5	—	—	—
1600 x 1200/60	1600 x 1200	75.0	60.0	162.0	✓	✓	✓
1920 x 1200/50	1920 x 1200	61.8	49.9	158.3	—	—	—
1920 x 1200/60RB	1920 x 1200*2	74.0	60.0	154.0	✓	✓	✓
3840 x 2400/30	3840 x 2400*2	73.0	30.0	286.2	—	—	—
3840 x 2400/50	3840 x 2400*2	122.9	50.0	481.6	—	—	—
3840 x 2400/60	3840 x 2400*2	148.1	60.0	592.5	—	—	—

\*1 The signal with 1/1.001x vertical scanning frequency is also supported.

\*2 VESA CVT-RB (Reduced Blanking) compliant

**Note**

- If connecting the projector to a computer that uses an early-type chipset or graphics card compatible with DisplayPort, the projector or computer may not be operated properly when the signal output from DisplayPort on the computer is input to the projector. In such a case, switch off the projector or computer and then switch it on. If the signal output from DisplayPort is input to the projector, use of the computer equipped with the latest chipset or graphics card is recommended.

**List of Single link SDI compatible signals**

The following table specifies the Single link SDI signals that the projector can project.

- The content of the 4K division column is as follows.

-IL: Interleave (transmission format of 2-Sample Interleave Division)

Signal name (SIGNAL FORMAT)	Resolution (Dots)	Scanning freq.		Dot clock freq. (MHz)	4K division	Format	Color format	Sampling
		H (kHz)	V (Hz)					
720/60p	1280 x 720	45.0	60.0*1	74.3	—	HD-SDI	YPbPr	4:2:2 10bit
720/50p	1280 x 720	37.5	50.0	74.3	—	HD-SDI	YPbPr	4:2:2 10bit
1080/60i	1920 x 1080i	33.8	60.0*1	74.3	—	HD-SDI	YPbPr	4:2:2 10bit
	1920 x 1080i	33.8	60.0*1	74.3	—	3G-SDI Level-A	RGB	4:4:4 10bit
	1920 x 1080i	33.8	60.0*1	74.3	—	3G-SDI Level-B	RGB	4:4:4 10bit
	1920 x 1080i	33.8	60.0*1	74.3	—	3G-SDI Level-A	RGB	4:4:4 12bit
	1920 x 1080i	33.8	60.0*1	74.3	—	3G-SDI Level-B	RGB	4:4:4 12bit
1080/50i	1920 x 1080i	28.1	50.0	74.3	—	HD-SDI	YPbPr	4:2:2 10bit
	1920 x 1080i	28.1	50.0	74.3	—	3G-SDI Level-A	RGB	4:4:4 10bit
	1920 x 1080i	28.1	50.0	74.3	—	3G-SDI Level-B	RGB	4:4:4 10bit
	1920 x 1080i	28.1	50.0	74.3	—	3G-SDI Level-A	RGB	4:4:4 12bit
	1920 x 1080i	28.1	50.0	74.3	—	3G-SDI Level-B	RGB	4:4:4 12bit
1080/24p	1920 x 1080	27.0	24.0*1	74.3	—	HD-SDI	YPbPr	4:2:2 10bit
	1920 x 1080	27.0	24.0*1	74.3	—	3G-SDI Level-A	RGB	4:4:4 10bit
	1920 x 1080	27.0	24.0*1	74.3	—	3G-SDI Level-B	RGB	4:4:4 10bit
	1920 x 1080	27.0	24.0*1	74.3	—	3G-SDI Level-A	RGB	4:4:4 12bit
	1920 x 1080	27.0	24.0*1	74.3	—	3G-SDI Level-B	RGB	4:4:4 12bit
1080/24sF	1920 x 1080i	27.0	48.0*1	74.3	—	HD-SDI	YPbPr	4:2:2 10bit
	1920 x 1080i	27.0	48.0*1	74.3	—	3G-SDI Level-A	RGB	4:4:4 10bit
	1920 x 1080i	27.0	48.0*1	74.3	—	3G-SDI Level-B	RGB	4:4:4 10bit
	1920 x 1080i	27.0	48.0*1	74.3	—	3G-SDI Level-A	RGB	4:4:4 12bit
	1920 x 1080i	27.0	48.0*1	74.3	—	3G-SDI Level-B	RGB	4:4:4 12bit
1080/25p	1920 x 1080	28.1	25.0	74.3	—	HD-SDI	YPbPr	4:2:2 10bit
	1920 x 1080	28.1	25.0	74.3	—	3G-SDI Level-A	RGB	4:4:4 10bit
	1920 x 1080	28.1	25.0	74.3	—	3G-SDI Level-B	RGB	4:4:4 10bit
	1920 x 1080	28.1	25.0	74.3	—	3G-SDI Level-A	RGB	4:4:4 12bit
	1920 x 1080	28.1	25.0	74.3	—	3G-SDI Level-B	RGB	4:4:4 12bit
1080/30p	1920 x 1080	33.8	30.0*1	74.3	—	HD-SDI	YPbPr	4:2:2 10bit
	1920 x 1080	33.8	30.0*1	74.3	—	3G-SDI Level-A	RGB	4:4:4 10bit
	1920 x 1080	33.8	30.0*1	74.3	—	3G-SDI Level-B	RGB	4:4:4 10bit
	1920 x 1080	33.8	30.0*1	74.3	—	3G-SDI Level-A	RGB	4:4:4 12bit
	1920 x 1080	33.8	30.0*1	74.3	—	3G-SDI Level-B	RGB	4:4:4 12bit
1080/60p	1920 x 1080	67.5	60.0*1	148.5	—	3G-SDI Level-A	YPbPr	4:2:2 10bit
	1920 x 1080	67.5	60.0*1	148.5	—	3G-SDI Level-B	YPbPr	4:2:2 10bit
	1920 x 1080*2	67.5	60.0*1	148.5	—	6G-SDI Type 1	YPbPr	4:4:4 10bit
	1920 x 1080*2	67.5	60.0*1	148.5	—	6G-SDI Type 1	YPbPr	4:4:4 12bit
	1920 x 1080*2	67.5	60.0*1	148.5	—	6G-SDI Type 1	RGB	4:4:4 10bit
1080/50p	1920 x 1080	56.3	50.0	148.5	—	3G-SDI Level-A	YPbPr	4:2:2 10bit
	1920 x 1080	56.3	50.0	148.5	—	3G-SDI Level-B	YPbPr	4:2:2 10bit
	1920 x 1080*2	56.3	50.0	148.5	—	6G-SDI Type 1	YPbPr	4:4:4 10bit
	1920 x 1080*2	56.3	50.0	148.5	—	6G-SDI Type 1	YPbPr	4:4:4 12bit
	1920 x 1080*2	56.3	50.0	148.5	—	6G-SDI Type 1	RGB	4:4:4 10bit
2K/24p	2048 x 1080	27.0	24.0*1	74.3	—	3G-SDI Level-A	RGB	4:4:4 10bit
	2048 x 1080	27.0	24.0*1	74.3	—	3G-SDI Level-B	RGB	4:4:4 10bit
	2048 x 1080	27.0	24.0*1	74.3	—	3G-SDI Level-A	RGB	4:4:4 12bit
	2048 x 1080	27.0	24.0*1	74.3	—	3G-SDI Level-B	RGB	4:4:4 12bit
	2048 x 1080	27.0	24.0*1	74.3	—	3G-SDI Level-A	RGB	4:4:4 12bit
2K/25p	2048 x 1080	28.1	25.0	74.3	—	3G-SDI Level-A	RGB	4:4:4 10bit
	2048 x 1080	28.1	25.0	74.3	—	3G-SDI Level-B	RGB	4:4:4 10bit
	2048 x 1080	28.1	25.0	74.3	—	3G-SDI Level-A	RGB	4:4:4 12bit
	2048 x 1080	28.1	25.0	74.3	—	3G-SDI Level-B	RGB	4:4:4 12bit
2K/30p	2048 x 1080	33.8	30.0*1	74.3	—	3G-SDI Level-A	RGB	4:4:4 10bit
	2048 x 1080	33.8	30.0*1	74.3	—	3G-SDI Level-B	RGB	4:4:4 10bit
	2048 x 1080	33.8	30.0*1	74.3	—	3G-SDI Level-A	RGB	4:4:4 12bit
	2048 x 1080	33.8	30.0*1	74.3	—	3G-SDI Level-B	RGB	4:4:4 12bit
2K/48p	2048 x 1080	54.0	48.0*1	148.5	—	3G-SDI Level-A	YPbPr	4:2:2 10bit
	2048 x 1080	54.0	48.0*1	148.5	—	3G-SDI Level-B	YPbPr	4:2:2 10bit



Signal name (SIGNAL FORMAT)	Resolution (Dots)	Scanning freq.		Dot clock freq. (MHz)	4K division	Format	Color format	Sampling
		H (kHz)	V (Hz)					
2K/60p	2048 x 1080	67.5	60.0*1	148.5	—	3G-SDI Level-A	YPbPr	4:2:2 10bit
	2048 x 1080	67.5	60.0*1	148.5	—	3G-SDI Level-B	YPbPr	4:2:2 10bit
	2048 x 1080*2	67.5	60.0*1	148.5	—	6G-SDI Type 1	YPbPr	4:4:4 10bit
	2048 x 1080*2	67.5	60.0*1	148.5	—	6G-SDI Type 1	RGB	4:4:4 10bit
	2048 x 1080*2	67.5	60.0*1	148.5	—	6G-SDI Type 1	RGB	4:4:4 12bit
2K/50p	2048 x 1080	56.3	50.0	148.5	—	3G-SDI Level-A	YPbPr	4:2:2 10bit
	2048 x 1080	56.3	50.0	148.5	—	3G-SDI Level-B	YPbPr	4:2:2 10bit
	2048 x 1080*2	56.3	50.0	148.5	—	6G-SDI Type 1	YPbPr	4:4:4 10bit
	2048 x 1080*2	56.3	50.0	148.5	—	6G-SDI Type 1	RGB	4:4:4 10bit
	2048 x 1080*2	56.3	50.0	148.5	—	6G-SDI Type 1	RGB	4:4:4 12bit
3840 x 2160/24p	3840 x 2160*2	54.0	24.0*1	297.0	IL	6G-SDI Type 2	YPbPr	4:2:2 10bit
	3840 x 2160*2	54.0	24.0*1	297.0	IL	12G-SDI Type 1	YPbPr	4:2:2 12bit
	3840 x 2160*2	54.0	24.0*1	297.0	IL	12G-SDI Type 1	YPbPr	4:4:4 10bit
	3840 x 2160*2	54.0	24.0*1	297.0	IL	12G-SDI Type 1	RGB	4:4:4 10bit
	3840 x 2160*2	54.0	24.0*1	297.0	IL	12G-SDI Type 1	RGB	4:4:4 12bit
3840 x 2160/25p	3840 x 2160*2	56.3	25.0	297.0	IL	6G-SDI Type 2	YPbPr	4:2:2 10bit
	3840 x 2160*2	56.3	25.0	297.0	IL	12G-SDI Type 1	YPbPr	4:2:2 12bit
	3840 x 2160*2	56.3	25.0	297.0	IL	12G-SDI Type 1	YPbPr	4:4:4 10bit
	3840 x 2160*2	56.3	25.0	297.0	IL	12G-SDI Type 1	RGB	4:4:4 10bit
	3840 x 2160*2	56.3	25.0	297.0	IL	12G-SDI Type 1	RGB	4:4:4 12bit
3840 x 2160/30p	3840 x 2160*2	67.5	30.0*1	297.0	IL	6G-SDI Type 2	YPbPr	4:2:2 10bit
	3840 x 2160*2	67.5	30.0*1	297.0	IL	12G-SDI Type 1	YPbPr	4:2:2 12bit
	3840 x 2160*2	67.5	30.0*1	297.0	IL	12G-SDI Type 1	YPbPr	4:4:4 10bit
	3840 x 2160*2	67.5	30.0*1	297.0	IL	12G-SDI Type 1	RGB	4:4:4 12bit
	3840 x 2160*2	67.5	30.0*1	297.0	IL	12G-SDI Type 1	RGB	4:4:4 10bit
3840 x 2160/60p	3840 x 2160*2	135.0	60.0*1	594.0	IL	12G-SDI Type 1	YPbPr	4:2:2 10bit
3840 x 2160/50p	3840 x 2160*2	112.5	50.0	594.0	IL	12G-SDI Type 1	YPbPr	4:2:2 10bit
4096 x 2160/24p	4096 x 2160*2	54.0	24.0*1	297.0	IL	6G-SDI Type 2	YPbPr	4:2:2 10bit
	4096 x 2160*2	54.0	24.0*1	297.0	IL	12G-SDI Type 1	YPbPr	4:2:2 12bit
	4096 x 2160*2	54.0	24.0*1	297.0	IL	12G-SDI Type 1	YPbPr	4:4:4 10bit
	4096 x 2160*2	54.0	24.0*1	297.0	IL	12G-SDI Type 1	YPbPr	4:4:4 12bit
	4096 x 2160*2	54.0	24.0*1	297.0	IL	12G-SDI Type 1	RGB	4:4:4 10bit
4096 x 2160/25p	4096 x 2160*2	56.3	25.0	297.0	IL	6G-SDI Type 2	YPbPr	4:2:2 10bit
	4096 x 2160*2	56.3	25.0	297.0	IL	12G-SDI Type 1	YPbPr	4:2:2 12bit
	4096 x 2160*2	56.3	25.0	297.0	IL	12G-SDI Type 1	YPbPr	4:4:4 10bit
	4096 x 2160*2	56.3	25.0	297.0	IL	12G-SDI Type 1	YPbPr	4:4:4 12bit
	4096 x 2160*2	56.3	25.0	297.0	IL	12G-SDI Type 1	RGB	4:4:4 10bit
4096 x 2160/30p	4096 x 2160*2	67.5	30.0*1	297.0	IL	6G-SDI Type 2	YPbPr	4:2:2 10bit
	4096 x 2160*2	67.5	30.0*1	297.0	IL	12G-SDI Type 1	YPbPr	4:2:2 12bit
	4096 x 2160*2	67.5	30.0*1	297.0	IL	12G-SDI Type 1	YPbPr	4:4:4 10bit
	4096 x 2160*2	67.5	30.0*1	297.0	IL	12G-SDI Type 1	YPbPr	4:4:4 12bit
	4096 x 2160*2	67.5	30.0*1	297.0	IL	12G-SDI Type 1	RGB	4:4:4 10bit
4096 x 2160/60p	4096 x 2160*2	135.0	60.0*1	594.0	IL	12G-SDI Type 1	YPbPr	4:2:2 10bit
4096 x 2160/50p	4096 x 2160*2	112.5	50.0	594.0	IL	12G-SDI Type 1	YPbPr	4:2:2 10bit

\*1 The signal with 1/1.001x vertical scanning frequency is also supported.

\*2 Only the combination of the <SDI 1 IN> terminal and the <SDI 3 IN> terminal of the optional interface Board for 12G-SDI (Model No.:ET-MDN12G10) is supported.

**List of Dual link SDI compatible signals**

The following table specifies the dual signal SDI signals that the projector can project.

This is supported when the Interface Board for 12G-SDI (Model No.: ET-MDN12G10) is installed in the slot.

• The content of the 4K division column is as follows.

-IL: Interleave (transmission format of 2-Sample Interleave Division)

Signal name (SIGNAL FORMAT)	Resolution (Dots)	Scanning freq.		Dot clock freq. (MHz)	4K division	Format	Color format	Sampling
		H (kHz)	V (Hz)					
1080/60p	1920 x 1080	67.5	60.0*1	148.5	—	HD-SDI	YPbPr	4:2:2 10bit
	1920 x 1080	67.5	60.0*1	148.5	—	3G-SDI Level-A	YPbPr	4:4:4 10bit
	1920 x 1080	67.5	60.0*1	148.5	—	3G-SDI Level-B	YPbPr	4:4:4 10bit
	1920 x 1080	67.5	60.0*1	148.5	—	3G-SDI Level-A	YPbPr	4:4:4 12bit
	1920 x 1080	67.5	60.0*1	148.5	—	3G-SDI Level-B	YPbPr	4:4:4 12bit
	1920 x 1080	67.5	60.0*1	148.5	—	3G-SDI Level-A	RGB	4:4:4 10bit
	1920 x 1080	67.5	60.0*1	148.5	—	3G-SDI Level-B	RGB	4:4:4 10bit
	1920 x 1080	67.5	60.0*1	148.5	—	3G-SDI Level-A	RGB	4:4:4 12bit
1080/50p	1920 x 1080	56.3	50.0	148.5	—	HD-SDI	YPbPr	4:2:2 10bit
	1920 x 1080	56.3	50.0	148.5	—	3G-SDI Level-A	YPbPr	4:4:4 10bit
	1920 x 1080	56.3	50.0	148.5	—	3G-SDI Level-B	YPbPr	4:4:4 10bit
	1920 x 1080	56.3	50.0	148.5	—	3G-SDI Level-A	YPbPr	4:4:4 12bit
	1920 x 1080	56.3	50.0	148.5	—	3G-SDI Level-B	YPbPr	4:4:4 12bit
	1920 x 1080	56.3	50.0	148.5	—	3G-SDI Level-A	RGB	4:4:4 10bit
	1920 x 1080	56.3	50.0	148.5	—	3G-SDI Level-B	RGB	4:4:4 10bit
	1920 x 1080	56.3	50.0	148.5	—	3G-SDI Level-A	RGB	4:4:4 12bit
2K/48p	2048 x 1080	54.0	48.0*1	148.5	—	3G-SDI Level-A	YPbPr	4:4:4 10bit
	2048 x 1080	54.0	48.0*1	148.5	—	3G-SDI Level-B	YPbPr	4:4:4 10bit
	2048 x 1080	54.0	48.0*1	148.5	—	3G-SDI Level-A	YPbPr	4:4:4 12bit
	2048 x 1080	54.0	48.0*1	148.5	—	3G-SDI Level-B	YPbPr	4:4:4 12bit
	2048 x 1080	54.0	48.0*1	148.5	—	3G-SDI Level-A	RGB	4:4:4 10bit
	2048 x 1080	54.0	48.0*1	148.5	—	3G-SDI Level-B	RGB	4:4:4 10bit
	2048 x 1080	54.0	48.0*1	148.5	—	3G-SDI Level-A	RGB	4:4:4 12bit
	2048 x 1080	54.0	48.0*1	148.5	—	3G-SDI Level-B	RGB	4:4:4 12bit
2K/50p	2048 x 1080	56.3	50.0	148.5	—	3G-SDI Level-A	YPbPr	4:4:4 10bit
	2048 x 1080	56.3	50.0	148.5	—	3G-SDI Level-B	YPbPr	4:4:4 10bit
	2048 x 1080	56.3	50.0	148.5	—	3G-SDI Level-A	YPbPr	4:4:4 12bit
	2048 x 1080	56.3	50.0	148.5	—	3G-SDI Level-B	YPbPr	4:4:4 12bit
	2048 x 1080	56.3	50.0	148.5	—	3G-SDI Level-A	RGB	4:4:4 10bit
	2048 x 1080	56.3	50.0	148.5	—	3G-SDI Level-B	RGB	4:4:4 10bit
	2048 x 1080	56.3	50.0	148.5	—	3G-SDI Level-A	RGB	4:4:4 12bit
	2048 x 1080	56.3	50.0	148.5	—	3G-SDI Level-B	RGB	4:4:4 12bit
2K/60p	2048 x 1080	67.5	60.0*1	148.5	—	3G-SDI Level-A	YPbPr	4:4:4 10bit
	2048 x 1080	67.5	60.0*1	148.5	—	3G-SDI Level-B	YPbPr	4:4:4 10bit
	2048 x 1080	67.5	60.0*1	148.5	—	3G-SDI Level-A	YPbPr	4:4:4 12bit
	2048 x 1080	67.5	60.0*1	148.5	—	3G-SDI Level-B	YPbPr	4:4:4 12bit
	2048 x 1080	67.5	60.0*1	148.5	—	3G-SDI Level-A	RGB	4:4:4 10bit
	2048 x 1080	67.5	60.0*1	148.5	—	3G-SDI Level-B	RGB	4:4:4 10bit
	2048 x 1080	67.5	60.0*1	148.5	—	3G-SDI Level-A	RGB	4:4:4 12bit
	2048 x 1080	67.5	60.0*1	148.5	—	3G-SDI Level-B	RGB	4:4:4 12bit
3840 x 2160/24p	3840 x 2160*2	54.0	24.0*1	297.0	IL	6G-SDI Type 1	YPbPr	4:2:2 12bit
	3840 x 2160*2	54.0	24.0*1	297.0	IL	6G-SDI Type 1	YPbPr	4:4:4 10bit
	3840 x 2160*2	54.0	24.0*1	297.0	IL	6G-SDI Type 1	YPbPr	4:4:4 12bit
	3840 x 2160*2	54.0	24.0*1	297.0	IL	6G-SDI Type 1	RGB	4:4:4 10bit
	3840 x 2160*2	54.0	24.0*1	297.0	IL	6G-SDI Type 1	RGB	4:4:4 12bit
3840 x 2160/25p	3840 x 2160*2	56.3	25.0	297.0	IL	6G-SDI Type 1	YPbPr	4:2:2 12bit
	3840 x 2160*2	56.3	25.0	297.0	IL	6G-SDI Type 1	YPbPr	4:4:4 10bit
	3840 x 2160*2	56.3	25.0	297.0	IL	6G-SDI Type 1	YPbPr	4:4:4 12bit
	3840 x 2160*2	56.3	25.0	297.0	IL	6G-SDI Type 1	RGB	4:4:4 10bit
	3840 x 2160*2	56.3	25.0	297.0	IL	6G-SDI Type 1	RGB	4:4:4 12bit
3840 x 2160/30p	3840 x 2160*2	56.3	30.0*1	297.0	IL	6G-SDI Type 1	YPbPr	4:2:2 12bit
	3840 x 2160*2	56.3	30.0*1	297.0	IL	6G-SDI Type 1	YPbPr	4:4:4 10bit
	3840 x 2160*2	56.3	30.0*1	297.0	IL	6G-SDI Type 1	YPbPr	4:4:4 12bit
	3840 x 2160*2	56.3	30.0*1	297.0	IL	6G-SDI Type 1	RGB	4:4:4 10bit
	3840 x 2160*2	56.3	30.0*1	297.0	IL	6G-SDI Type 1	RGB	4:4:4 12bit

Signal name (SIGNAL FORMAT)	Resolution (Dots)	Scanning freq.		Dot clock freq. (MHz)	4K division	Format	Color format	Sampling
		H (kHz)	V (Hz)					
3840 x 2160/60p	3840 x 2160*2	135.0	60.0*1	594.0	IL	6G-SDI Type 1	YPbPr	4:2:2 10bit
3840 x 2160/50p	3840 x 2160*2	112.5	50.0	594.0	IL	6G-SDI Type 1	YPbPr	4:2:2 10bit
4096 x 2160/24p	4096 x 2160*2	54.0	24.0*1	297.0	IL	6G-SDI Type 1	YPbPr	4:2:2 12bit
	4096 x 2160*2	54.0	24.0*1	297.0	IL	6G-SDI Type 1	YPbPr	4:4:4 10bit
	4096 x 2160*2	54.0	24.0*1	297.0	IL	6G-SDI Type 1	YPbPr	4:4:4 12bit
	4096 x 2160*2	54.0	24.0*1	297.0	IL	6G-SDI Type 1	RGB	4:4:4 10bit
	4096 x 2160*2	54.0	24.0*1	297.0	IL	6G-SDI Type 1	RGB	4:4:4 12bit
4096 x 2160/25p	4096 x 2160*2	56.3	25.0	297.0	IL	6G-SDI Type 1	YPbPr	4:2:2 12bit
	4096 x 2160*2	56.3	25.0	297.0	IL	6G-SDI Type 1	YPbPr	4:4:4 10bit
	4096 x 2160*2	56.3	25.0	297.0	IL	6G-SDI Type 1	YPbPr	4:4:4 12bit
	4096 x 2160*2	56.3	25.0	297.0	IL	6G-SDI Type 1	RGB	4:4:4 10bit
	4096 x 2160*2	56.3	25.0	297.0	IL	6G-SDI Type 1	RGB	4:4:4 12bit
4096 x 2160/30p	4096 x 2160*2	67.5	30.0*1	297.0	IL	6G-SDI Type 1	YPbPr	4:2:2 12bit
	4096 x 2160*2	67.5	30.0*1	297.0	IL	6G-SDI Type 1	YPbPr	4:4:4 10bit
	4096 x 2160*2	67.5	30.0*1	297.0	IL	6G-SDI Type 1	YPbPr	4:4:4 12bit
	4096 x 2160*2	67.5	30.0*1	297.0	IL	6G-SDI Type 1	RGB	4:4:4 10bit
	4096 x 2160*2	67.5	30.0*1	297.0	IL	6G-SDI Type 1	RGB	4:4:4 12bit
4096 x 2160/60p	4096 x 2160*2	135.0	60.0*1	594.0	IL	6G-SDI Type 1	YPbPr	4:2:2 10bit
4096 x 2160/50p	4096 x 2160*2	112.5	50.0	594.0	IL	6G-SDI Type 1	YPbPr	4:2:2 10bit

\*1 The signal with 1/1.001x vertical scanning frequency is also supported.

\*2 Only the combination of the <SDI 1 IN> terminal and the <SDI 3 IN> terminal of the optional interface Board for 12G-SDI (Model No.:ET-MDN12G10) is supported.

**List of 3D compatible signals**

The following table specifies the 3D compatible video signals that the projector can project.

• Abbreviations for input formats and 3D formats in the table have the following meanings.

- FP: Frame packing format
- SBS: Side by side format
- TB: Top and bottom format
- FS: Frame sequential format
- H1-2: HDMI1 & HDMI2 Simultaneous input format
- D1-2: DVI-D1 & DVI-D2 Simultaneous input format
- S1-3: SDI1 & SDI3 Simultaneous input format
- DL/HDMI/DP: DIGITAL LINK/HDMI/DisplayPort

Signal name (SIGNAL FORMAT)	Resolution (Dots)	Scanning freq.		Dot clock freq. (MHz)	DL/HDMI/DP				DVI-D		
		H (kHz)	V (Hz)		FP	SBS*1	TB	FS	SBS*1	TB	FS
720/60p	1280 x 720	45.0	60.0	74.3	✓	✓	✓	—	✓	✓	—
720/50p	1280 x 720	37.5	50.0	74.3	✓	✓	✓	—	✓	✓	—
1080/60i	1920 x 1080i	33.8	60.0	74.3	—	✓	—	—	✓	—	—
1080/50i	1920 x 1080i	28.1	50.0	74.3	—	✓	—	—	✓	—	—
1080/24p	1920 x 1080	27.0	24.0	74.3	✓	✓	✓	—	✓	✓	—
1080/24sF	1920 x 1080i	27.0	24.0	74.3	—	—	—	—	✓	✓	—
1080/25p	1920 x 1080	28.1	25.0	74.3	—	—	—	—	✓	✓	—
1080/30p	1920 x 1080	33.8	30.0	74.3	—	—	—	—	✓	✓	—
1080/60p	1920 x 1080	67.5	60.0	148.5	—	✓	✓	—	✓	✓	—
1080/50p	1920 x 1080	56.3	50.0	148.5	—	✓	✓	—	✓	✓	—
1200 x 900/104	1200 x 900*2	99.6	103.9	162.5	—	—	—	✓	—	—	✓
1200 x 900/120	1200 x 900*2	114.4	120.0	146.4	—	—	—	✓	—	—	✓
1280 x 720/120	1280 x 720	92.6	120.0	161.6	—	—	—	✓	—	—	✓
1280 x 800	1280 x 800	41.3	50.0	68.0	—	—	—	—	✓	—	—
	1280 x 800	49.7	59.8	83.5	—	—	—	—	✓	—	—
1280 x 1024	1280 x 1 024	52.4	50.0	88.0	—	—	—	—	✓	—	—
	1280 x 1 024	64.0	60.0	108.0	—	—	—	—	✓	—	—
1366 x 768	1 366 x 768	47.7	59.8	85.5	—	—	—	—	✓	—	—
	1 366 x 768	39.6	49.9	69.0	—	—	—	—	✓	—	—
1600 x 900	1 600 x 900	46.4	49.9	96.5	—	—	—	—	✓	—	—
	1 600 x 900	55.9	60.0	119.0	—	—	—	—	✓	—	—
1920 x 1200	1920 x 1200	61.8	49.9	158.3	—	—	—	—	✓	—	—
	1920 x 1200*2	74.0	60.0	154.0	—	—	—	—	✓	—	—

\*1 Supports half.

\*2 VESA CVT RB (Reduced Blanking) compliant

Signal name (SIGNAL FORMAT)	Resolution (Dots)	Scanning freq.		Dot clock freq. (MHz)	SDI1/SDI2		H1-2*1	D1-2*2	S1-3*3
		H (kHz)	V (Hz)		SBS*4	TB			
720/60p	1280 x 720	45.0	60.0	74.3	✓	✓	✓	✓	✓
720/50p	1280 x 720	37.5	50.0	74.3	✓	✓	✓	✓	✓
1080/60i	1920 x 1080i	33.8	60.0	74.3	✓	—	—	—	—
1080/50i	1920 x 1080i	28.1	50.0	74.3	✓	—	—	—	—
1080/24p	1920 x 1080	27.0	24.0	74.3	✓	✓	✓	✓	✓
1080/24sF	1920 x 1080i	27.0	24.0	74.3	✓	✓	✓	✓	✓
1080/25p	1920 x 1080	28.1	25.0	74.3	✓	✓	✓	✓	✓
1080/30p	1920 x 1080	33.8	30.0	74.3	✓	✓	✓	✓	✓
1080/60p	1920 x 1080	67.5	60.0	148.5	✓	✓	✓	✓	✓
1080/50p	1920 x 1080	56.3	50.0	148.5	✓	✓	✓	✓	✓
1920 x 1200	1920 x 1200	61.8	49.9	158.3	—	—	✓	✓	—
	1920 x 1200*5	74.0	60.0	154.0	—	—	✓	✓	—

\*1 This is supported when an optional HDMI 2 input interface board (model number: ET-MDNHM10) is installed in both slots.

\*2 This is supported when the optional Interface Board for DisplayPort 2 input (Model No.: ET-MDNDP10) is installed in both slots.

\*3 This is supported when the Interface Board for 12G-SDI (Model No.: ET-MDN12G10) is installed in both slots.

\*4 Supports half.

\*5 VESA CVT RB (Reduced Blanking) compliant