

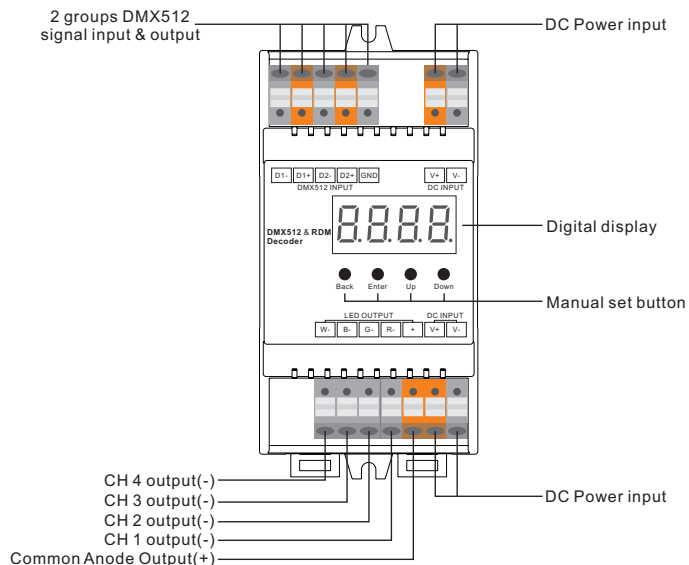
**Ultra-Pro 4CH RDM DMX512 Decoder**

09.218FD.04756



*Important: Read All Instructions Prior to Installation*

**Function introduction**



**Product Data**

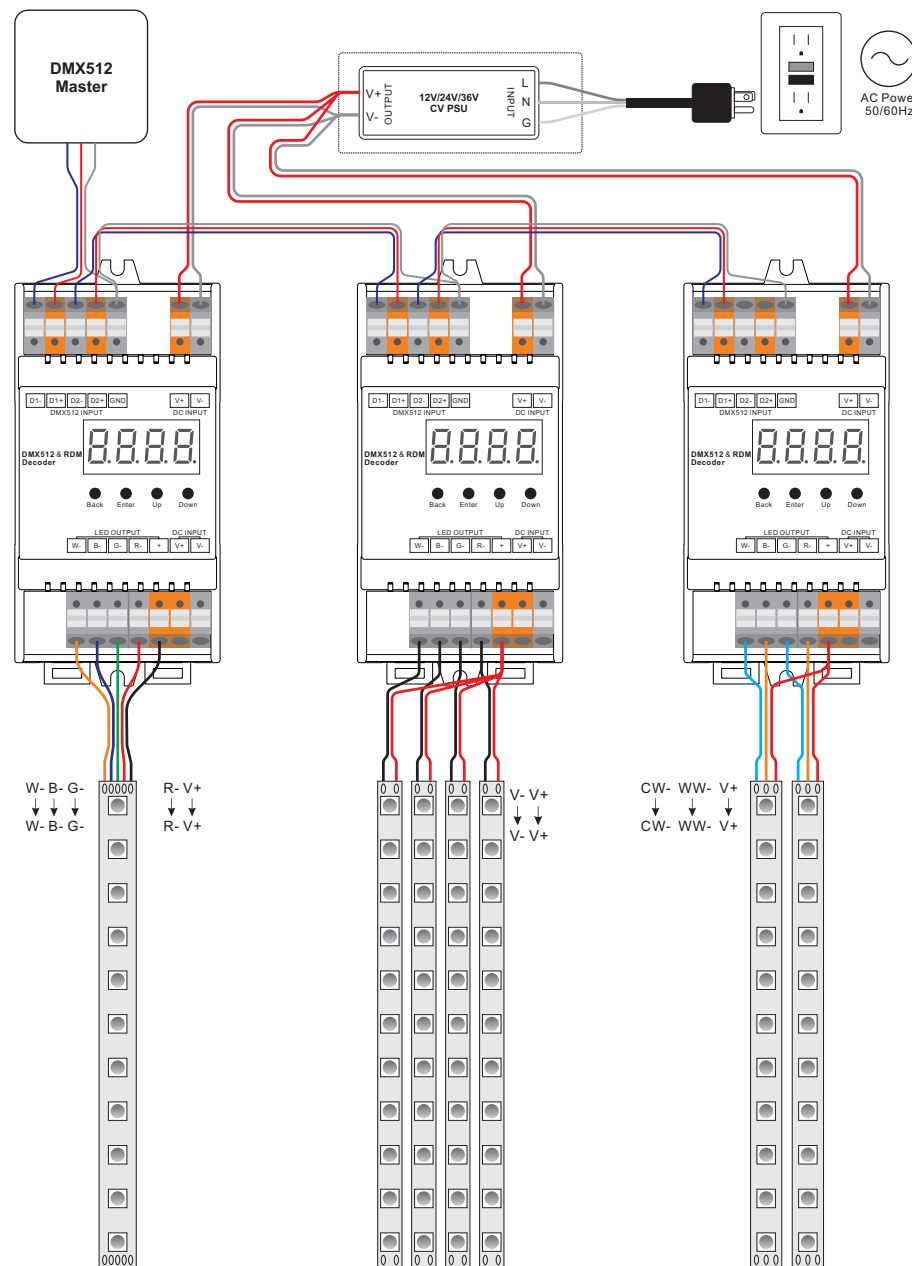
No.	Input Voltage	Output Current	Output Power	Remarks	Size(LxWxH)
1	12-36VDC	4x5A	4x(60-180)W	Constant voltage	110x53x65mm
2	12-48VDC	4x350mA	4x(4.2-16.8)W	Constant current	110x53x65mm
3	12-48VDC	4x700mA	4x(8.4-33.6)W	Constant current	110x53x65mm

- DMX512 RDM decoder, RDM function can realize intercommunication between DMX master and decoder. for example, you can set DMX decoder's address by DMX master console.
- Digital display to show data directly, easily to set and show DMX address.
- Total 4 PWM output channels, common anode. DMX channel quantity from 1CH-4CH settable
- PWM output resolution ratio 8bit , 16bit settable.
- Output PWM frequency from 500HZ ~ 30K HZ settable.
- Output dimming curve gamma value from 0.1 ~ 9.9 settable.
- Decoding mode settable.
- Waterproof grade: IP20
- DIN rail controller

**Safety & Warnings**

- DO NOT install with power applied to device.
- DO NOT expose the device to moisture.

**Wiring Diagram**



If connect With RGBW color lighting

If connect With single color lighting

If connect With dual color lighting