

PROTECH LED

be creative



SPECIFICATION

AT-W30-WALL-1



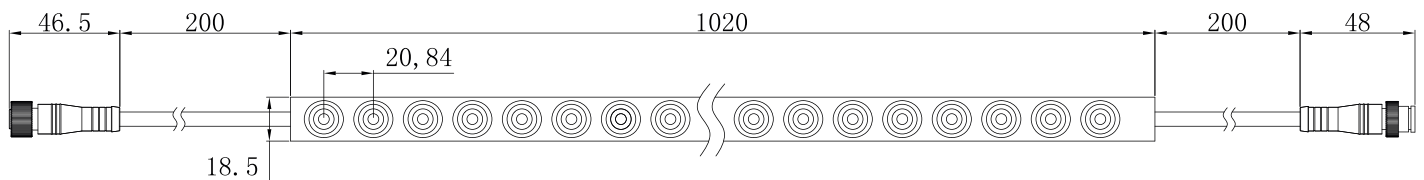
AT-W30-WALL-1

INTRODUCTION

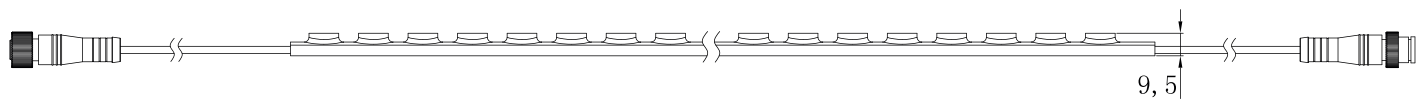
- Adopting TPU material, it's resistant to yellowing, high temperature, corrosion, weak acid and alkali, and has great flexibility.
- PU glue is used for filling and sealing, so that it has strong adhesion, good durability and high reliability.
- It can replace the traditional hard wall washer light or LED strip. It is small in size, light in weight, flexible and easy to install.
- Various beam angles (30°, 45°, 60°, 20*45°) are available for different applications.
- With low voltage DC24V, higher safety factor.



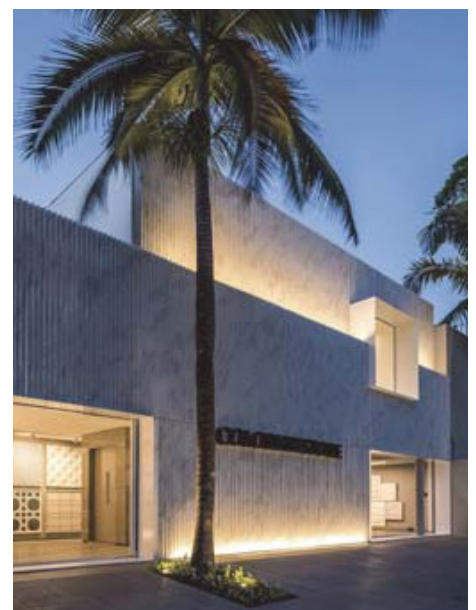
DIMENSION



The max. length for per roll is 5meters.

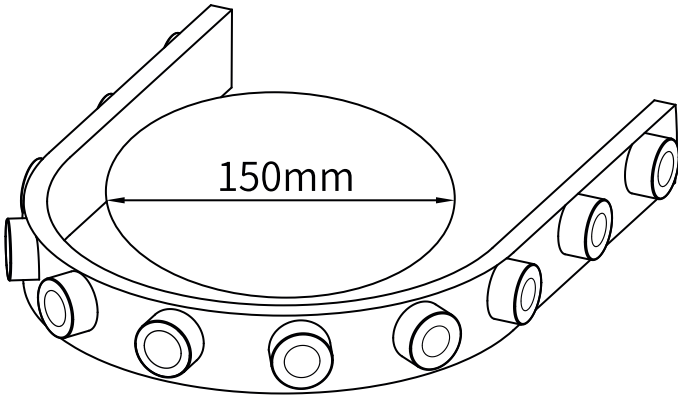


APPLICATION

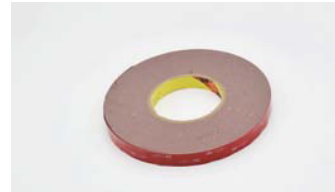


AT-W30-WALL-1

BENDING DIAMETER



ACCESSORY



3M Tape



Plastic Holding Clips



Stainless Steel Mounting Clips



Aluminum Profile

ELECTRICAL DATA

Input Voltage	24V
Power	18W
CRI (Ra)	>90
Beam angle	30°/45°/60°/20*45°

LEDs /m	48LEDs
Working hour	50000h
Working temperature	-25°C~+45°C
Cutable length (mm)	125
IP Level	IP67

CCT	2700K ±100K	3000K ±100K	4000K ±200K	6500K ±200K
Lumen/m	1851LM	1915LM	2167LM	1949LM

