

PROTECH LED

be creative



LED NEON FLEX SPECIFICATION

AN-D16

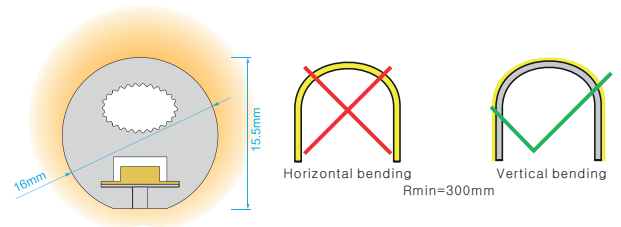
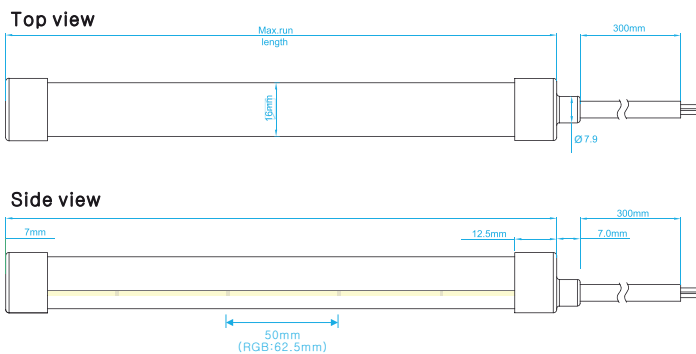


AN-D16

Regular power 5W/m and 10W/m for option
 Max length 25 meters with one end power
 Eight CCT optional from 2100K to 6000K



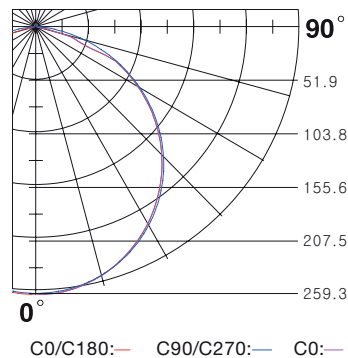
DIMENSIONS & WATERPROOF



PRODUCT SPECIFICATION

Voltage	DC24 V
CRI/Ra	>90
Ambient temperature	-25°C~45°C
Color Type	Cutting length (mm)
Single color	50 mm
Tunable white	50 mm
RGB color	62.5 mm

POLAR CURVE (The data base on 10W 4000K)



WHITE COLOR PARAMETERS

	CCT (K)	Low power (lm/m)	(5w/m) (max length)	High power (lm/m)	(10w/m) (max length)
W21	2100K +100 -100	284	19m	558	13m
W24	2400K +100 -100	306	19m	591	13m
W27	2700K +100 -100	340	19m	663	13m
W30	3000K +100 -100	338	19m	653	13m
W35	3500K +200 -100	324	19m	626	13m
W40	4000K +300 -200	365	19m	707	13m
W50	5000K +300 -200	374	19m	734	13m
W60	6000K +300 -100	378	19m	735	13m

AN-D16

TUNABLE COLOR PARAMETERS

	CCT (K)	Low power (lm/m)	(5w/m) (max length)	High power (lm/m)	(10w/m) (max length)
TW	2600-2900K	172	5 m	366	5 m
TW	5800-6300K	179	5 m	377	5 m
TW	3800-4200K	352	5 m	726	5 m

WHITE COLOR PARAMETERS

	color	Low power (lm/m)	(5w/m) (max length)	High power (lm/m)	(10w/m) (max length)
R	Red	139	25 m	305	17 m
G	Green	408	19 m	778	13 m
B	Blue	85	19 m	155	13 m
Y	Yellow	112	25 m	235	17 m
P	Pink	156	19 m	328	13 m
RGB	RGB	199	5 m	344	5 m

ACCESSORY

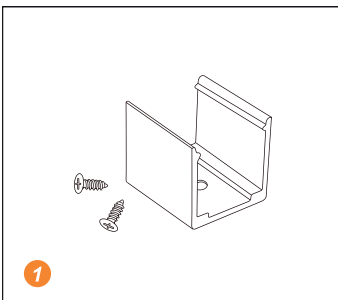


Mounting clip (length: 2cm/1m)

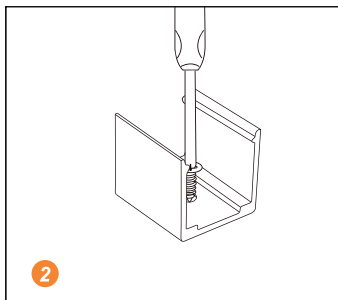


Scissors with angular scale

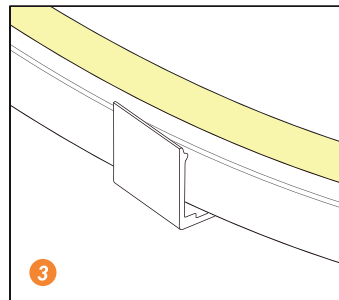
INSTALLATION



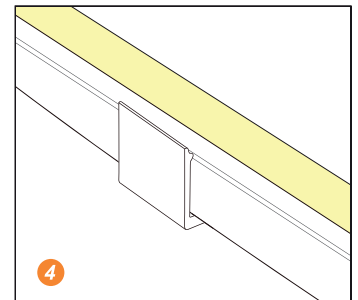
1 Prepare the screws and mounting clips



2 Adjust the fixed clips to the appropriate place, use a screwdriver to fix the screw.



3 Put the light emitting surface upwards, then insert the LED strip into the fixed clips.



4 Fix NEON strip completely into the fixed clip.

