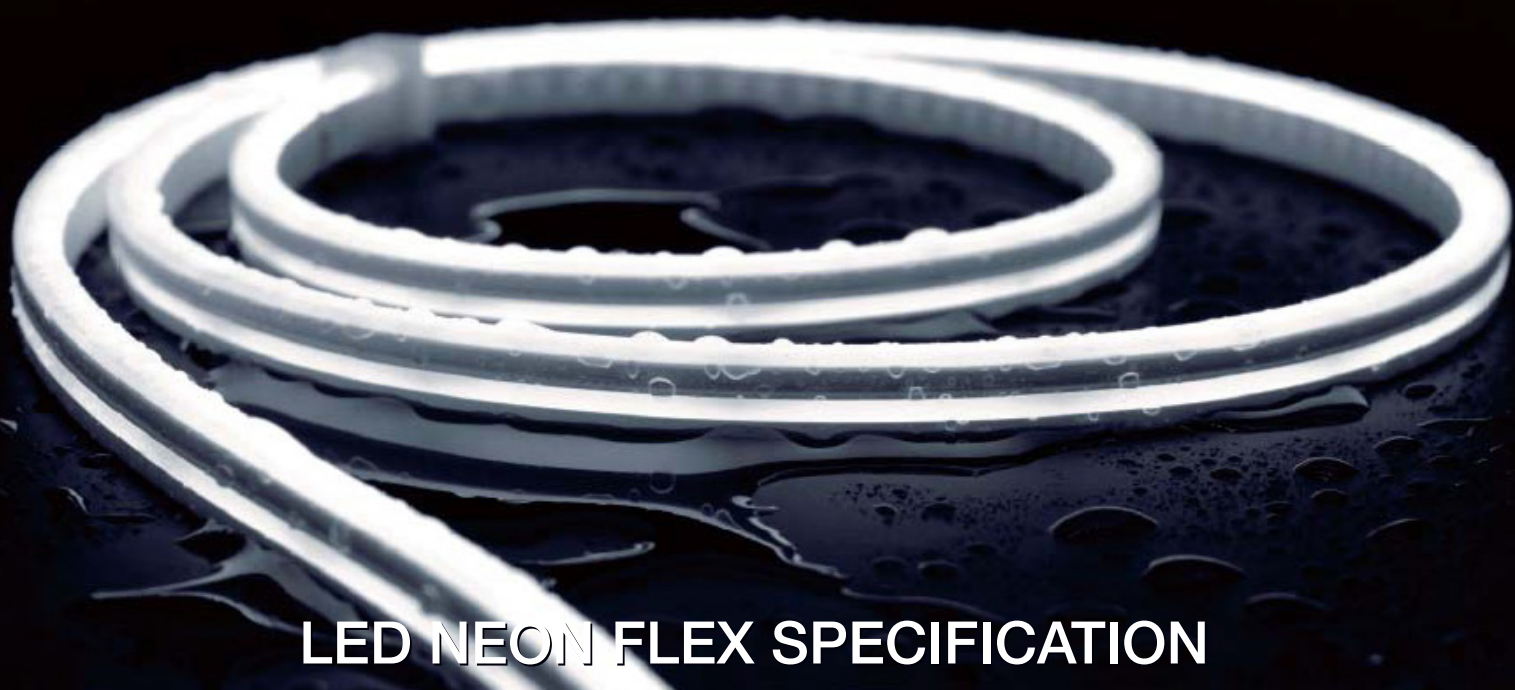


# PROTECH LED

be creative



## LED NEON FLEX SPECIFICATION

AN-S0408





## AN-S0408

Regular power 6W/m

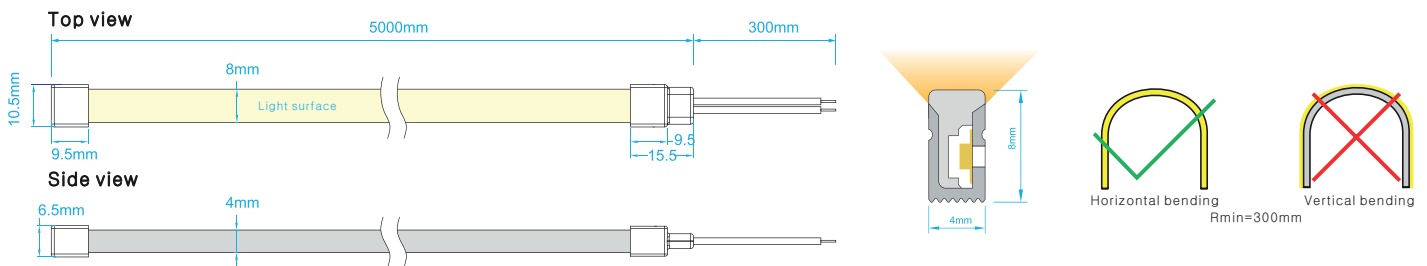
Max length 5 meters with one end power

Seven CCT optional from 2100K to 5300K

2100K  
2400K  
2600K  
3000K  
3500K  
4200K  
5300K



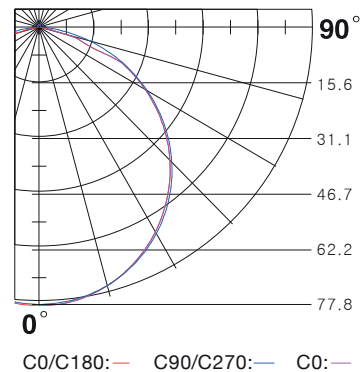
### DIMENSIONS & WATERPROOF



### PRODUCT SPECIFICATION

Voltage	DC24 V
CRI/Ra	>90
Ambient temperature	-25°C~45°C
Power (W/m)	6
Efficacy (lm/W)@3000K	42.2
Max Length (m)	5

### POLAR CURVE (The data base on 6W 3000K)



### WHITE COLOR PARAMETERS

	CCT (K)	Efficacy (lm/m)	Lumen (lm/m)
W21	2100K +200 -100	33.2	199
W24	2400K +200 -100	35.3	212
W26	2600K +200 -200	36.5	219
W30	3000K +300 -200	42.2	253
W35	3500K +400 -300	37.2	223
W42	4200K +400 -300	35.7	214
W53	5300K +400 -300	36.8	221

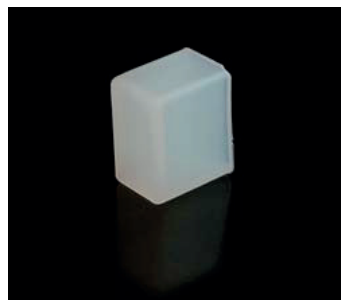


AN-S0408

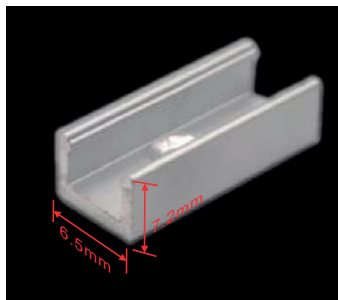
## ACCESSORY



Endcap connector with hole



Endcap without hole

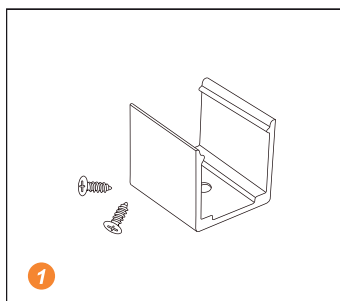


Mounting clip (length: 1.5cm)  
Mounting channel (length: 1m, 2m, 3m)

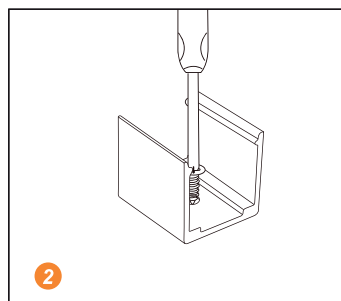


Scissors with angular scale

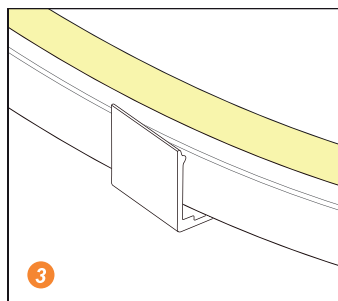
## INSTALLATION



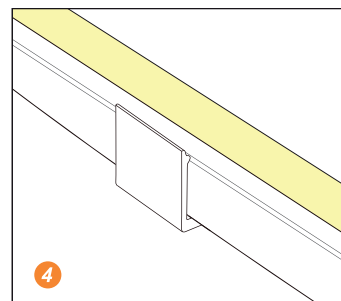
1 Prepare the screws and mounting clips



2 Adjust the fixed clips to the appropriate place, use a screwdriver to fix the screw.



3 Put the light emitting surface upwards, then insert the LED strip into the fixed clips.



4 Fix NEON strip completely into the fixed clip.

