

PROTECH LED

be creative



LED NEON FLEX SPECIFICATION

AN-S0612

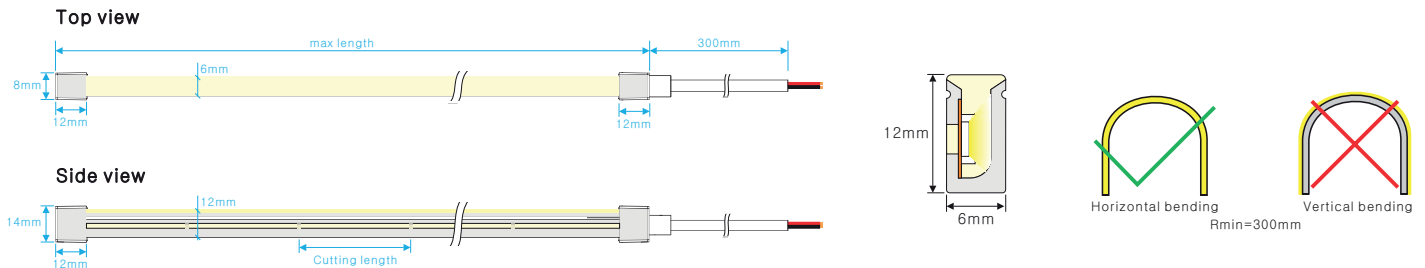


AN-S0612

Regular power 5W/m and 10W/m for option
 Max length 20 meters with one end power
 Silicone end cap
 Eight CCT optional from 2100K to 6150K



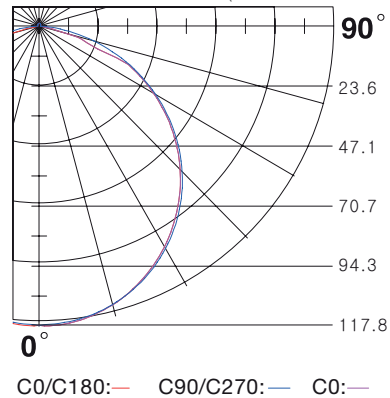
DIMENSIONS & WATERPROOF



PRODUCT SPECIFICATION

Voltage	DC24 V
CRI/Ra	>90
Ambient temperature	-25°C~45°C
Color Type	Cutting length (mm)
Single color	50 mm
Tunable white	50 mm
RGB color	50 mm

POLAR CURVE (The data base on 10W 6000K)



WHITE COLOR PARAMETERS

	CCT (K)	Low power (lm/m)	(5w/m) (max length)	High power (lm/m)	(10w/m) (max length)
W21	2000-2200K	145	15 m	246	10 m
W24	2300-2500K	173	15 m	312	10 m
W27	2600-2800K	178	15 m	353	10 m
W30	2900-3100K	154	15 m	299	10 m
W35	3400-3700K	169	15 m	327	10 m
W40	3800-4300K	186	15 m	360	10 m
W50	4800-5300K	187	15 m	360	10 m
W60	5900-6400K	190	15 m	359	10 m



AN-S0612

TUNABLE COLOR PARAMETERS

	CCT (K)	Low power (lm/m)	(5w/m) (max length)	High power (lm/m)	(10w/m) (max length)
TW	2000-2300K	58.0	5 m	126.0	5 m
TW	5000-5500K	88.0	5 m	177.0	5 m
TW	3400-3700K	158.0	5 m	269.0	5 m

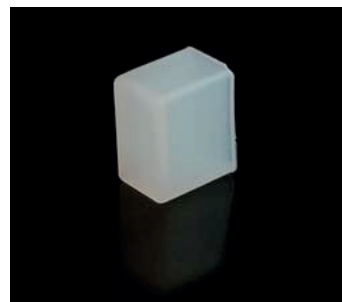
RGB COLOR PARAMETERS

	Color	Low power (lm/m)	(5w/m) (max length)	High power (lm/m)	(10w/m) (max length)
R	Red	82.0	20m	160.0	13m
G	Green	240.0	15m	398.0	10m
B	Blue	29.7	15m	51.6	10m
Y	Yellow	61.4	20m	125.0	13m
P	-	78.0	15m	144.6	10m
RGB	RGB	73.0	5 m	126.6	5 m

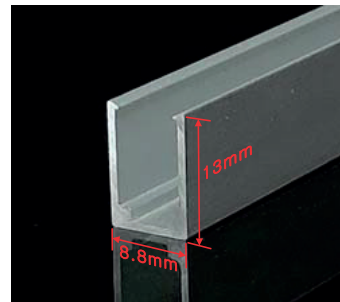
ACCESSORY



Endcap connector with hole



Endcap without hole

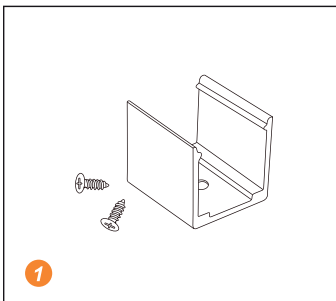


Mounting clip(length: 2cm)
Mounting channel(length: 1m, 2m,3m)

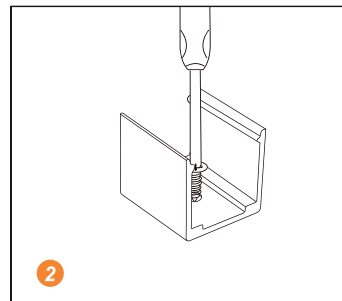


Scissors with angular scale

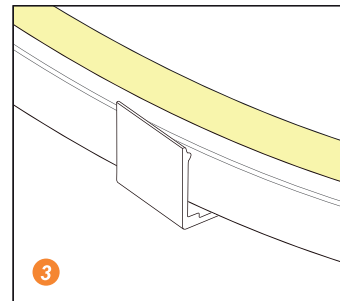
INSTALLATION



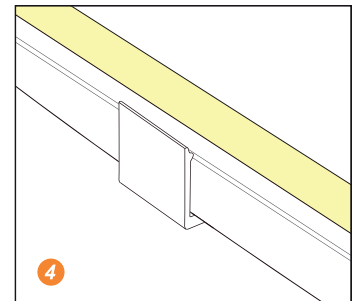
1 Prepare the screws and mounting clips



2 Adjust the fixed clips to the appropriate place, use a screwdriver to fix the screw.



3 Put the light emitting surface upwards, then insert the LED strip into the fixed clips.



4 Fix NEON strip completely into the fixed clip.

